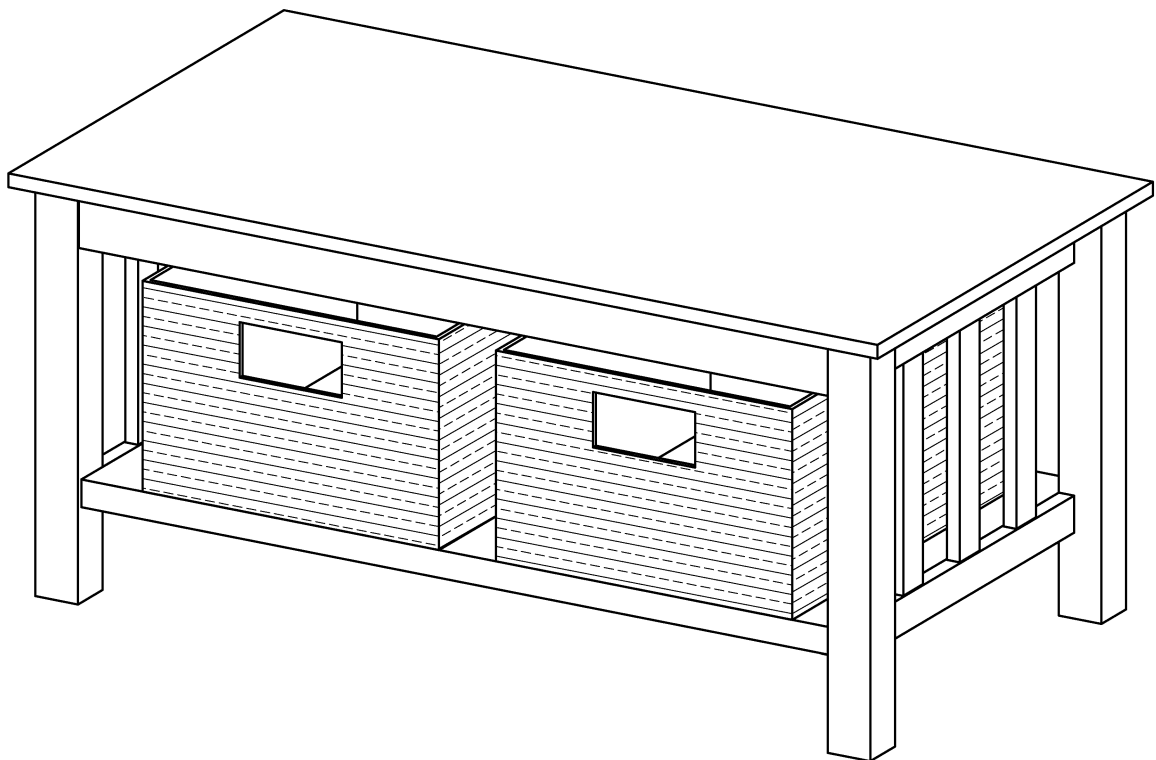


Item # : C40MST
Assembly Instructions

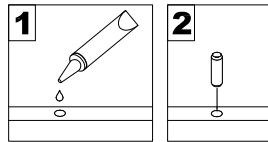


Please visit our website for the most current instructions, assembly tips, report damage, or request parts. www.walkeredison.com

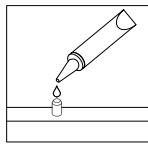
Revised 09/2017

General Assembly Guidelines

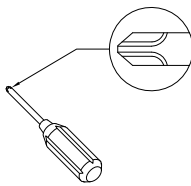
- I. Ensure that all parts and hardware are available before beginning assembly.
- II. Follow each step carefully to ensure the proper assembly of this product.
- III. Two people are recommended for ease in the assembly of this product.
- IV. The three main types of hardware used to assemble this product are : wood dowels , screws and bolts.
- V. The provided glue is to secure wood dowels in place . When first inserting dowels , locate the appropriate hole for the dowel , place a small amount of glue in the hole and insert the dowel . Wipe away excess glue immediately.



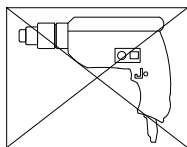
In future assembly steps when dowels are necessary to attach assembly parts together , place a small amount of glue on the end of the dowel before attaching parts together . Wipe away excess glue immediately.



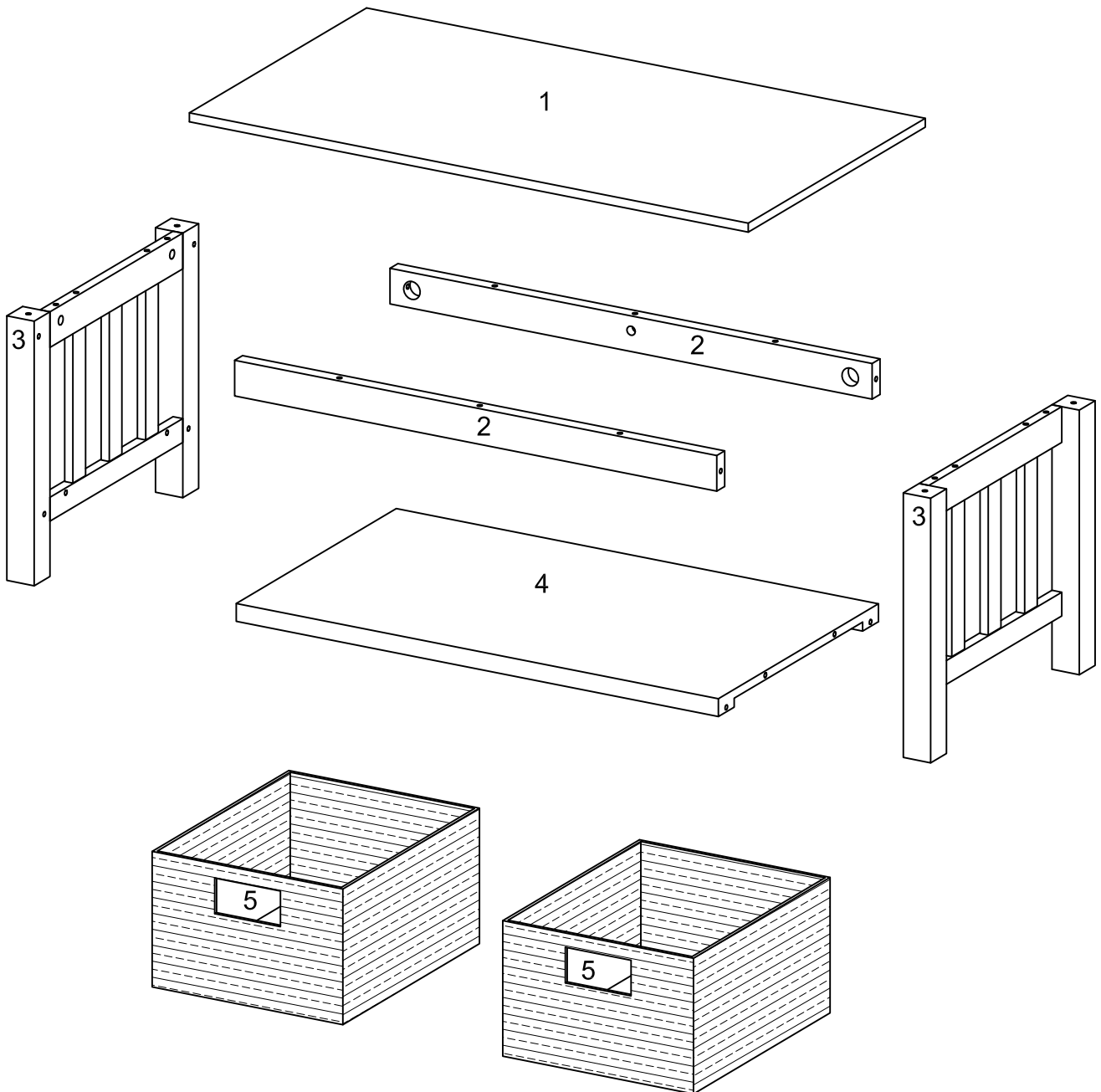
- VI. A Phillips head screwdriver is required for the assembly of this product .




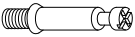

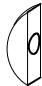




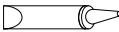

- VII. Power tools should not be used to assemble this product .

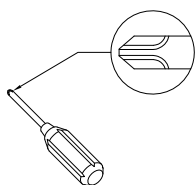


Parts List



Hardware List

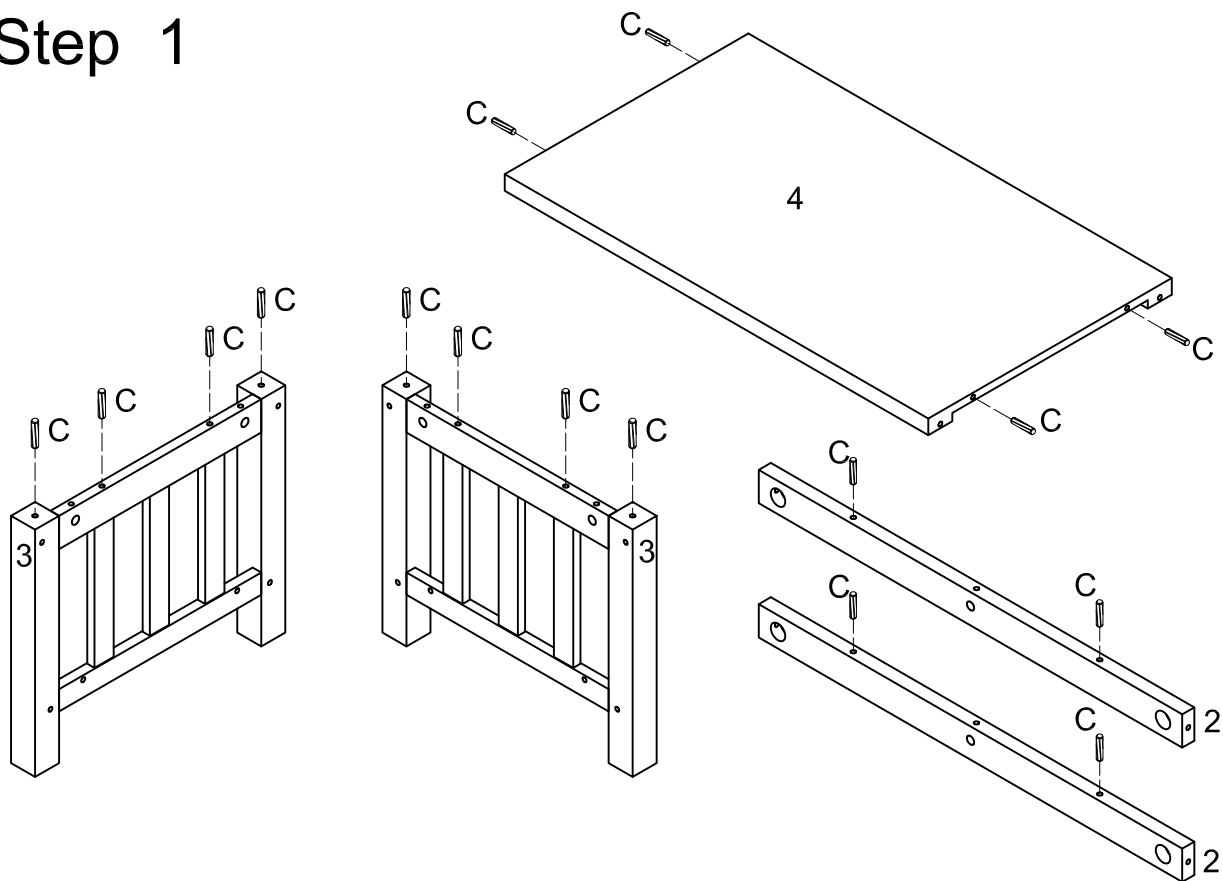
A		Ø15x11	Cam lock	6 pcs
B		Ø6*35	Cam bolt	6 pcs
C		Ø8x30	Wooden dowel	16 pcs
E			Cam lock	8 pcs
F		M8x60mm	Cam bolt	8 pcs
G		M8	Nut	8 pcs
H		Ø38mm	Plastic cover	8 pcs
J		M13	Wrench	1 pc
L			Glue tube	1 pc
M		Ø30	Sticker	6 pcs



Philips head screwdriver required for assembly
(not included)

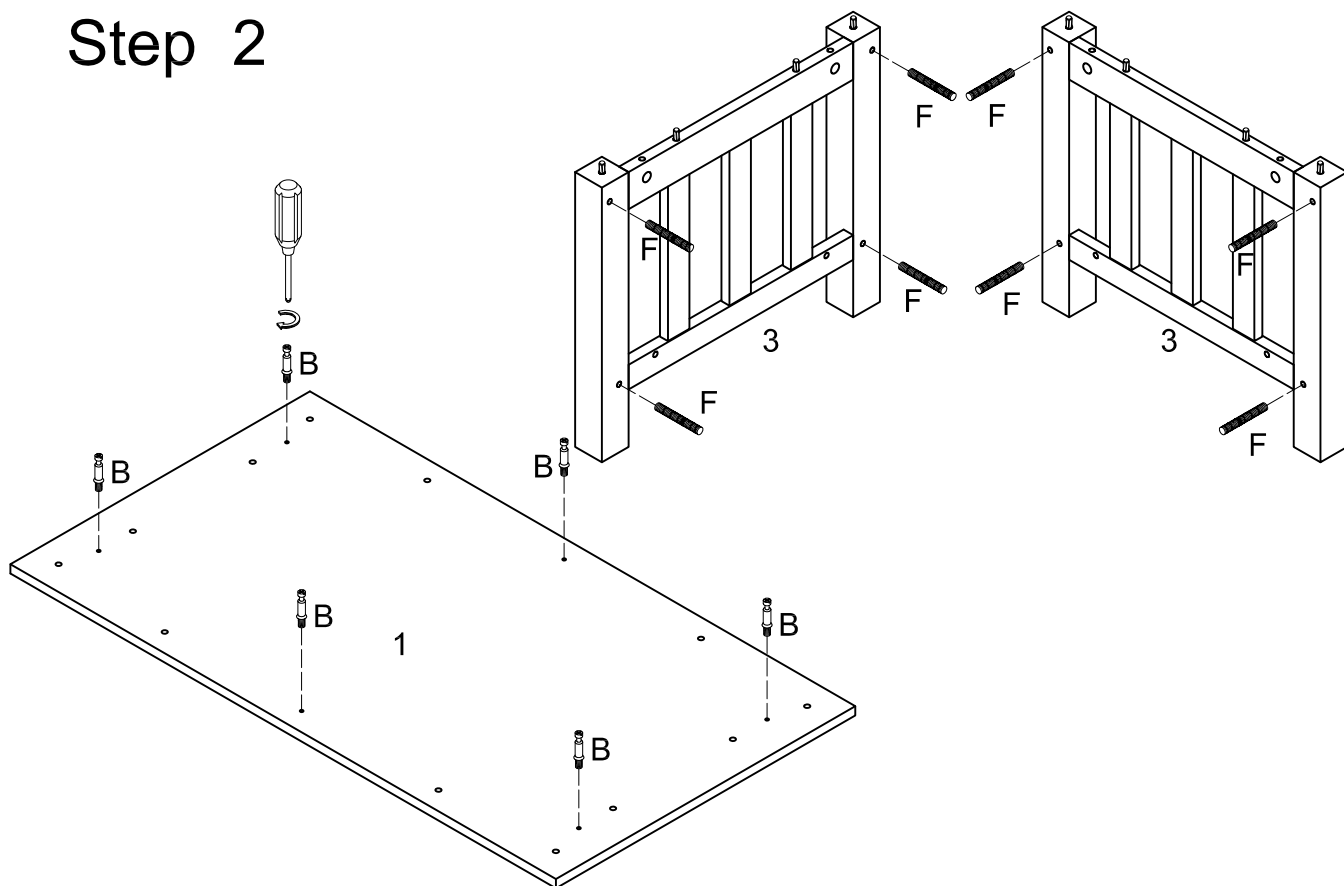
*The hardware quantities listed above are required for proper assembly.
Some extra hardware may also have been included.*

Step 1



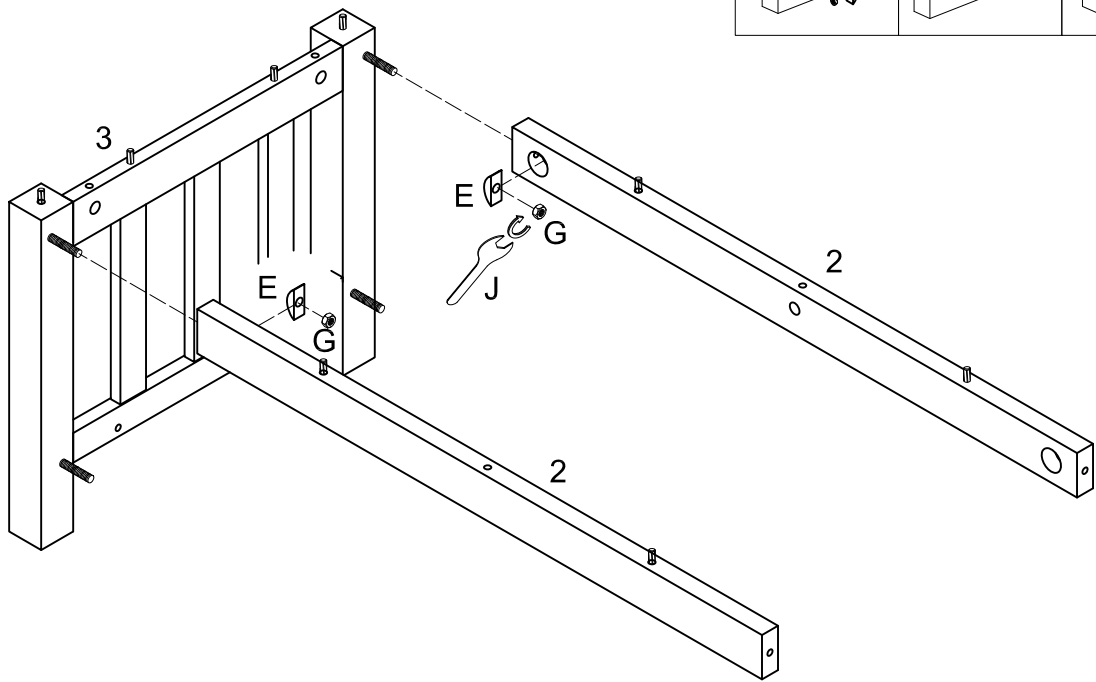
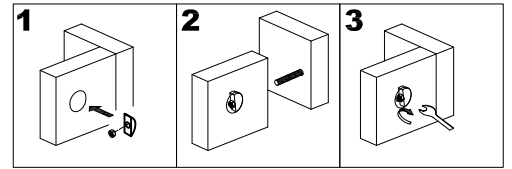
Insert dowels (C) into parts (2,3,4) as shown in the diagram.

Step 2



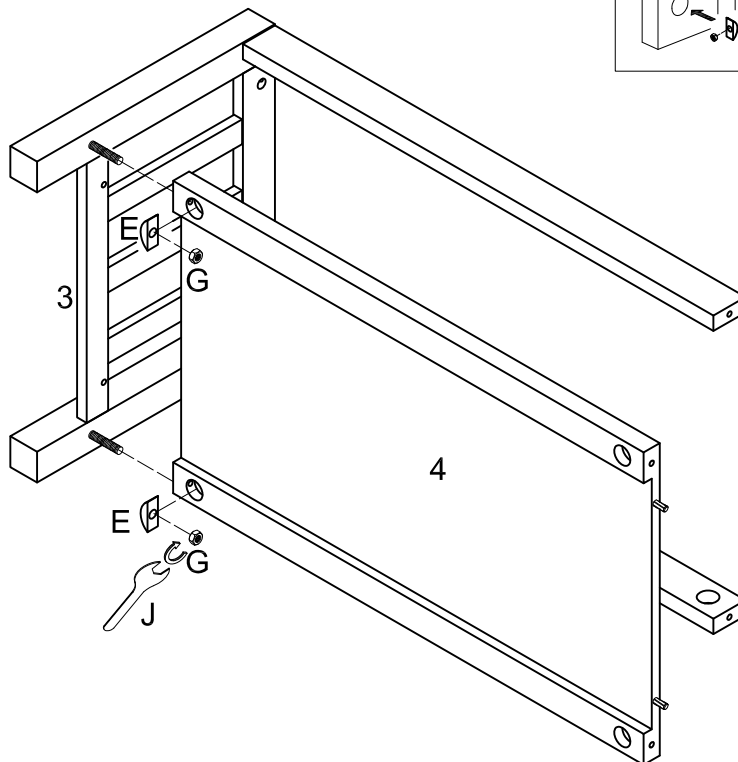
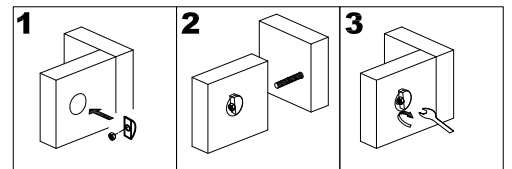
Screw cam bolts (B) into parts (1), Screw cam bolts (F) into parts (3).

Step 3



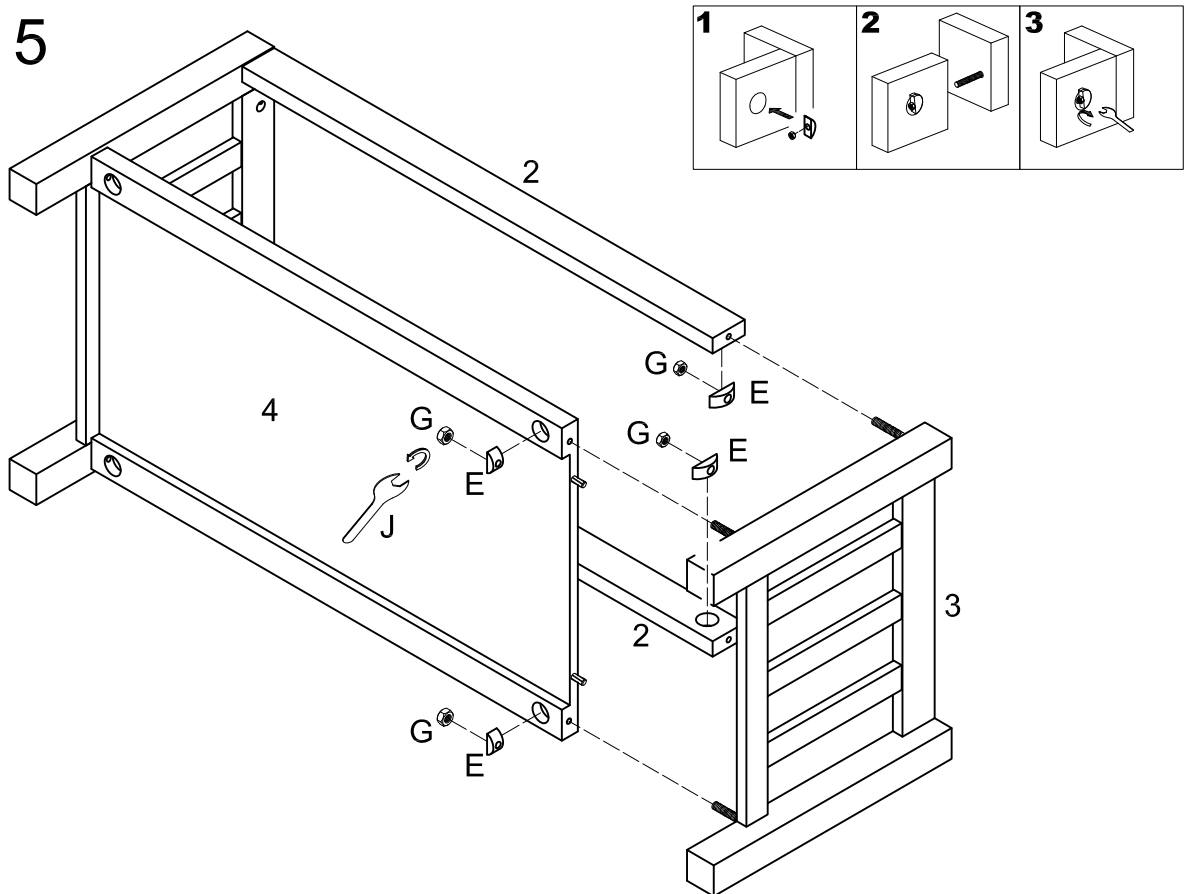
Attach parts (2) to legs (3) as shown in the diagram. Carefully place cam locks (E) into parts (2) and tighten nut (G) with wrench (J).

Step 4



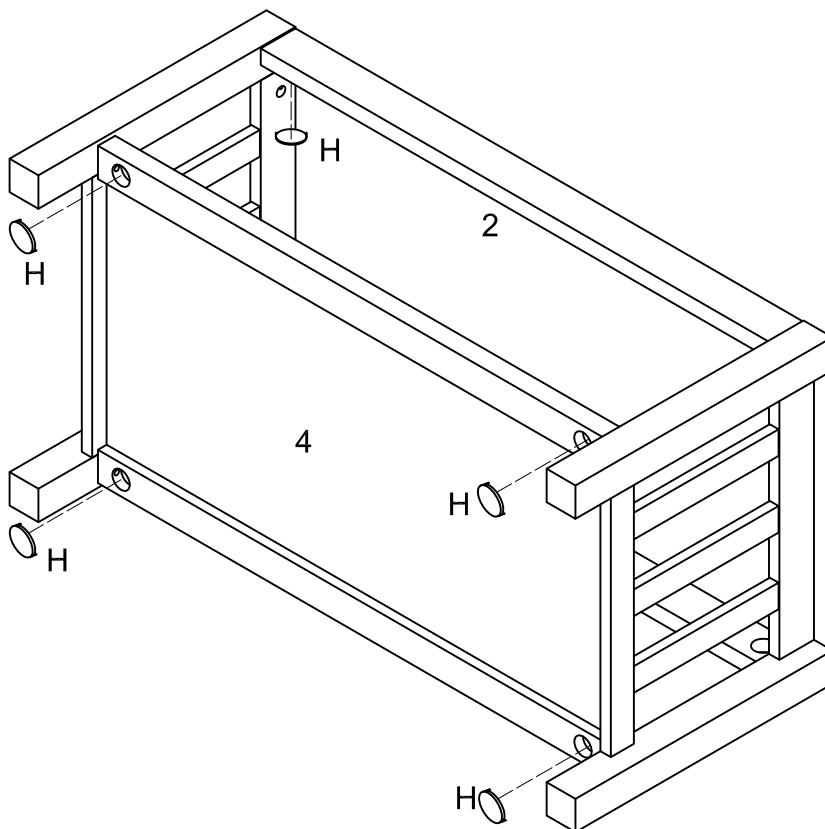
Attach parts (4) to legs (3) as shown in the diagram. Carefully place cam locks (E) into parts (4) and tighten nut (G) with wrench (J).

Step 5



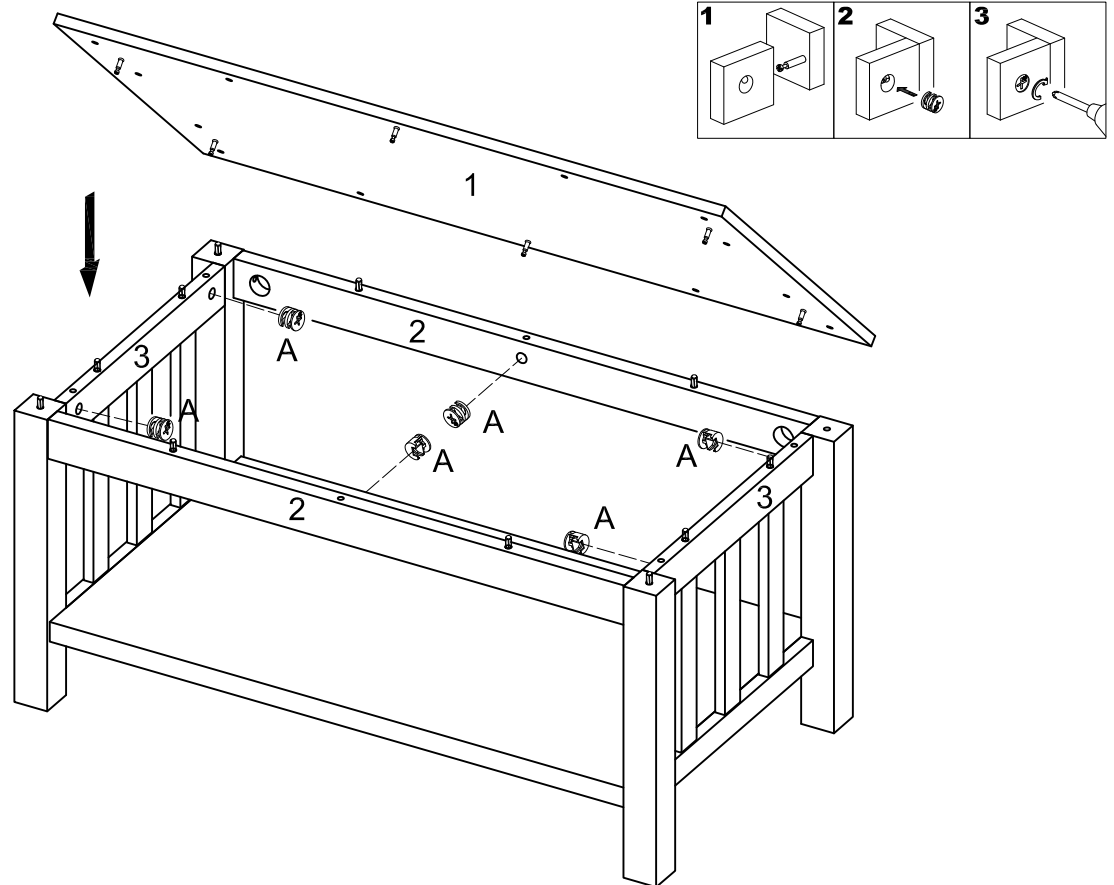
Attach legs (3) to parts (2)(4) as shown in the diagram. Carefully place cam locks (E) into parts (2,4) and tighten nut (G) with wrench (J).

Step 6



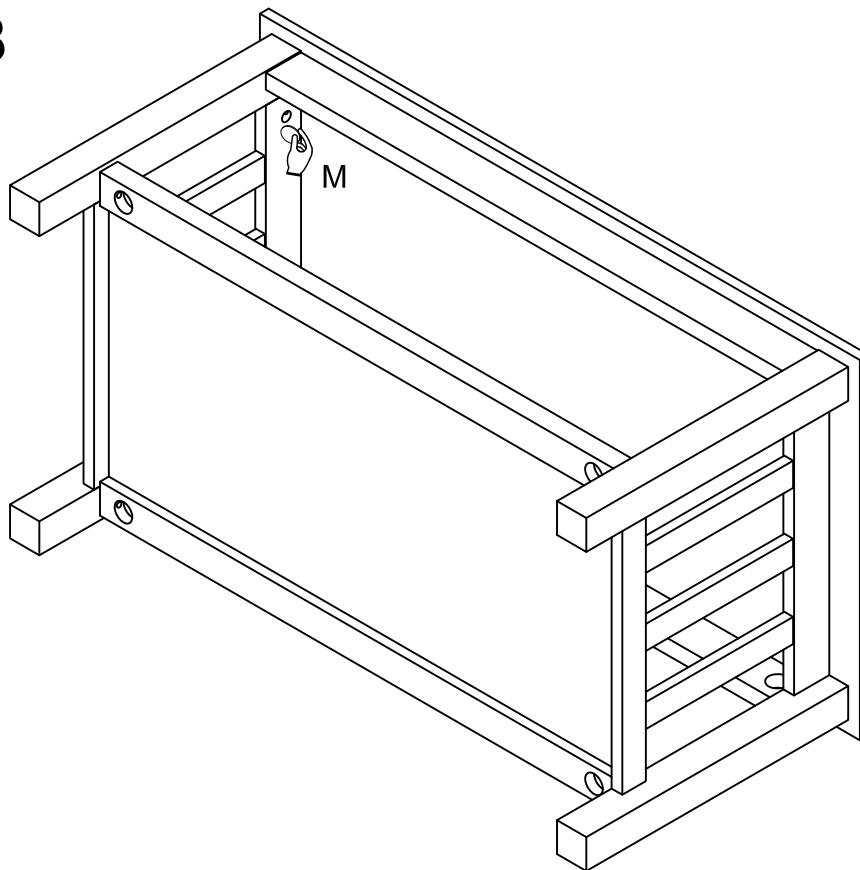
Inset the plastic cover (H) as shown in the diagram.

Step 7



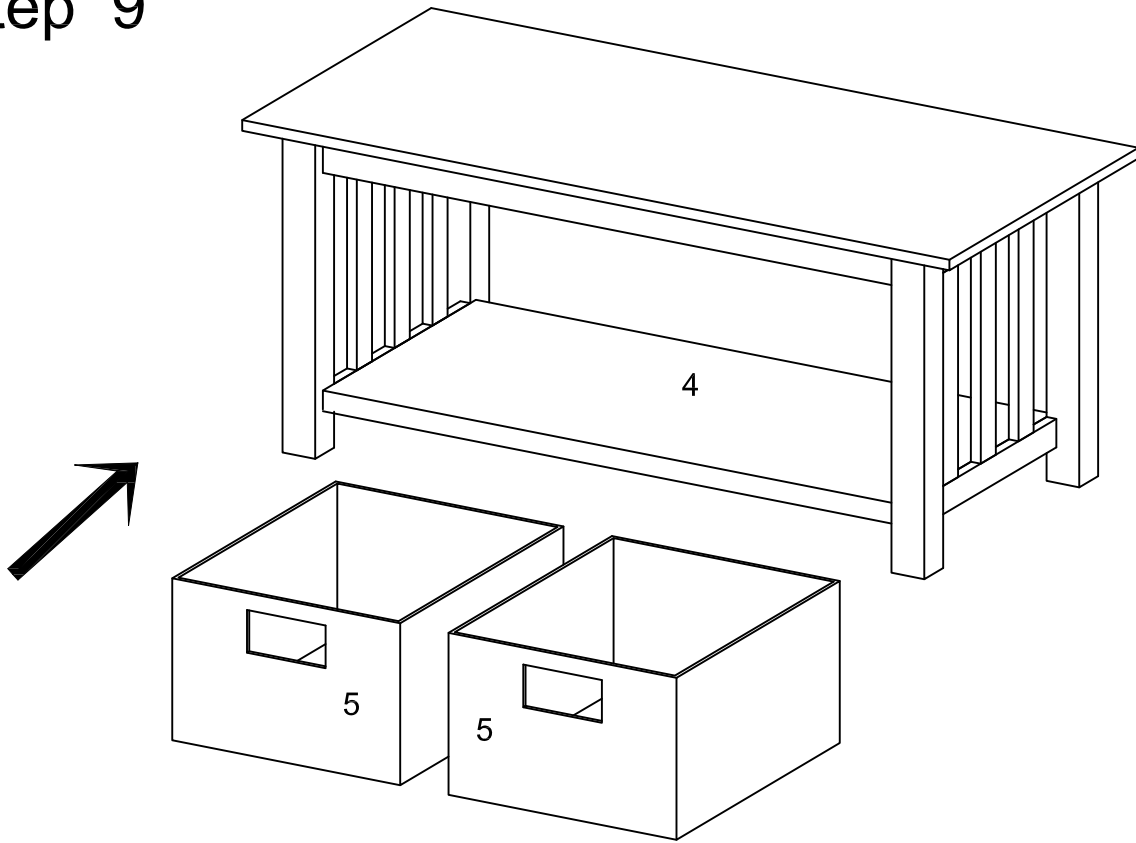
Place top panel (1) on top of parts (2) and legs (3) as shown in the diagram.
Tighten all cam locks (A) to secure top panel to frame.

Step 8



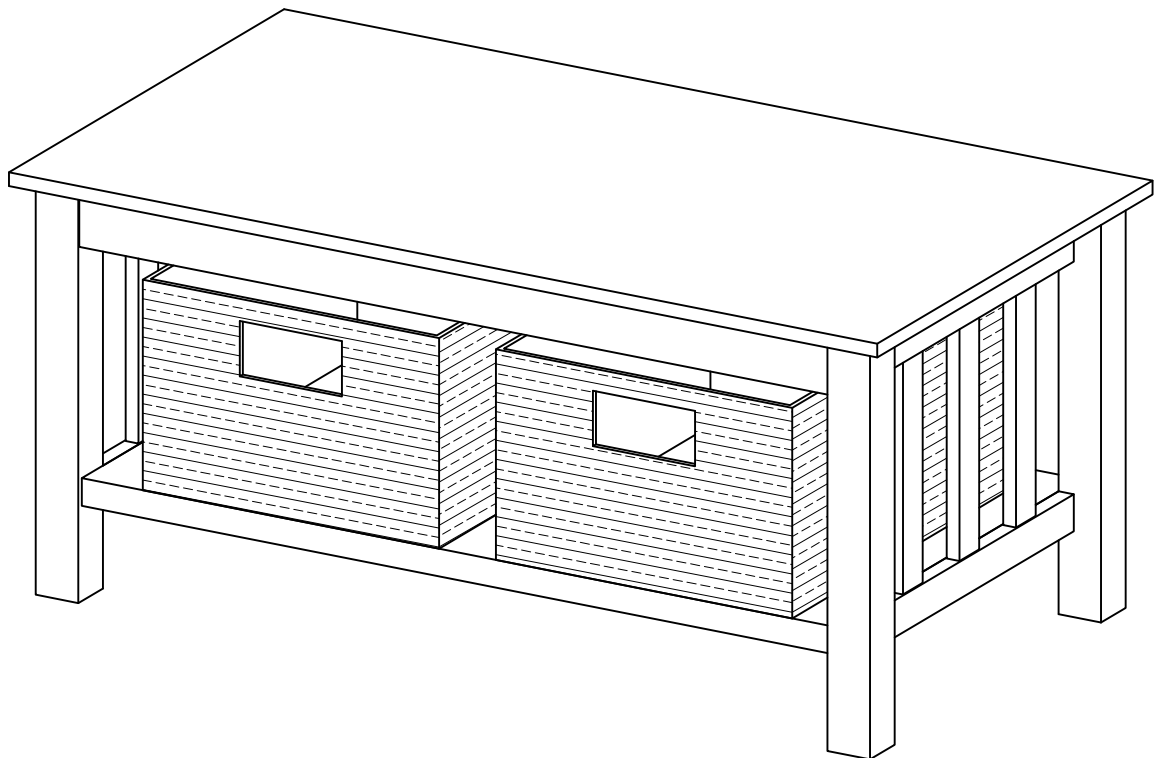
Place sticker (M) over holes as per diagram.

Step 9



Slide fabric bins (5) into place as shown.

Step 10



Final Assembly