






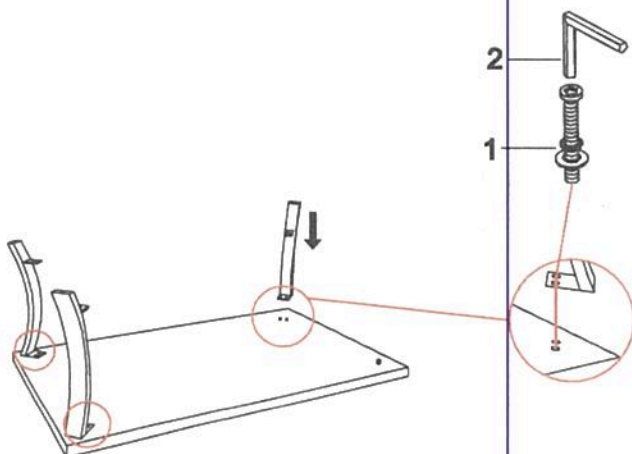


**GLOB**  
**3110-1 RECT. CKTL TABLE**  
**SKU# 22131104**  
**Assembly Instruction**

NO.	Parts List		Q' TY
A		Top	1
B		Leg	4
C		Shelf	1

NO.	Hardware list		Q' TY
1		Bolt Ø1/4" x11x 5/8"L	12
		Lock washer Ø1/4"xØ10x1mmT	12
		Flat washer Ø1/4" x Ø19x1mmT	12
2		Allen wrench 4mm	1

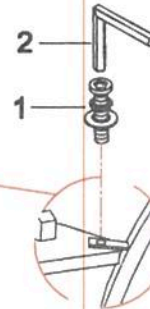
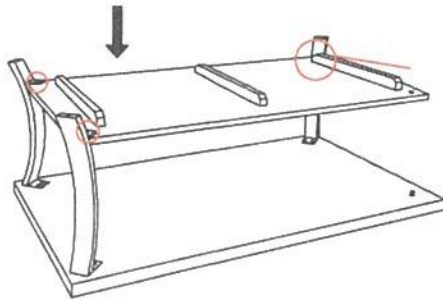
**STEP 1** Please assemble 3 legs to table top.



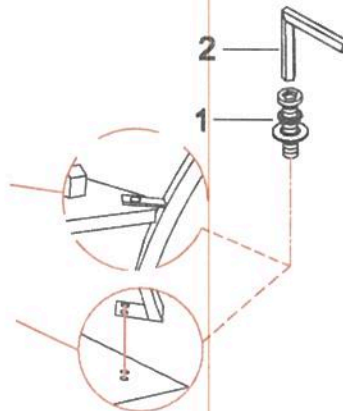
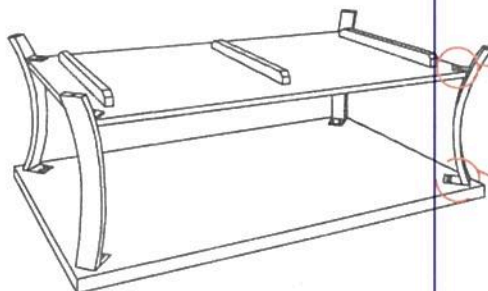


**GLOB**  
**3110-1 RECT. CKTL TABLE**  
**SKU# 22131104**  
**Assembly Instruction**

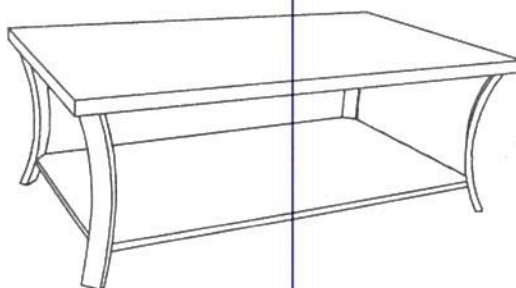
**STEP 2** Please assemble bottom shelf to 3 legs.



**STEP 3** Please assemble the 4th leg to table top and bottom shelf.



**STEP 4** Completed.



**Assembly completed**