
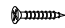





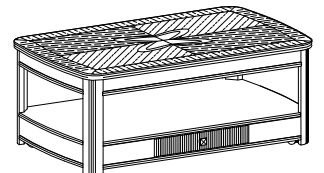
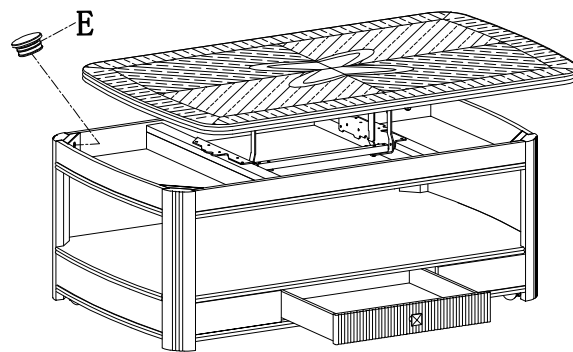
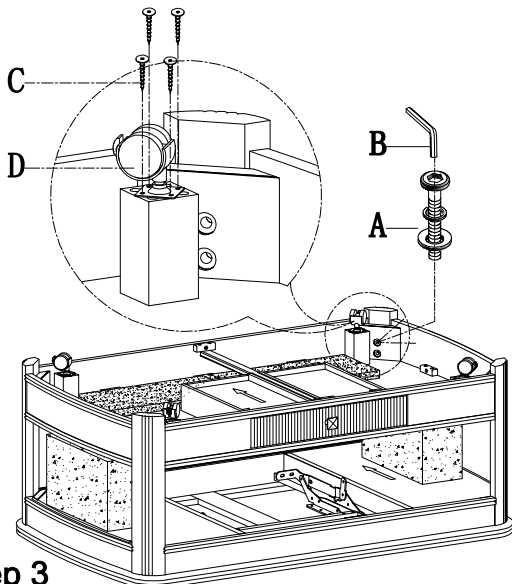
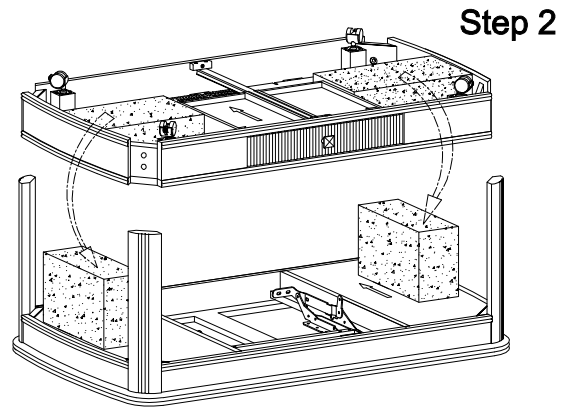
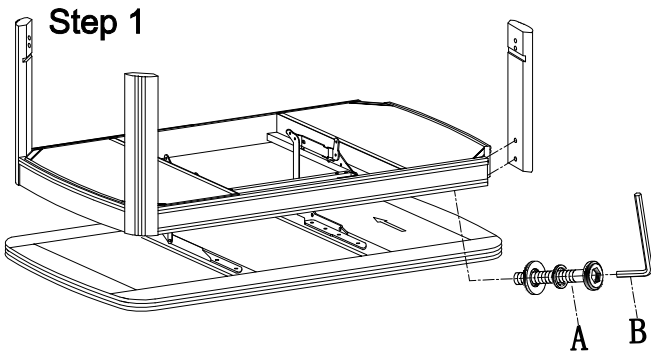


Manufactured for Rooms To Go

ALEK 4118-30 LIFT TOP COCKTAIL TABLE (SKU# 22141181) ASSEMBLY INSTRUCTION

Thank you for purchasing this quality product. Be sure to check all packing material carefully for small parts which may have come loose inside the carton during shipment. Identify and count all parts and compare with the Parts list below:

NO.	PART	DESCRIPTION	Q'TY	NO.	PART	DESCRIPTION	Q'TY
A		BOLT:Ø5/16"*1-3/4" (18 Threads per inch.)	16	C		SCREW	16
B		ALLEN WRENCH:5mm	1	D		CASTOR	4
				E		PLASTIC CAP	8



Step 3

Step 4

ASSEMBLY INSTRUCTION

- Carefully unwrap the furniture and place all parts on a clean soft blanket
- Place the table top frame upside down as shown in Step1
- To remove the 2 pieces Styrofoam from the bottom frame and put them on the back of top frame by rotating 90 degrees, as shown in Step2.
- Using A.B.C.D,attach each leg to the frame,but do not tighten 100%.
- When bottom assembling, assemble the drawer in the opposite direction with lift top panel
- Attach the bottom board to each leg, then attach the castor.(The screwdriver is not included in the hardware kit)
- Tighten the legs, frame, and bottom board 100%
- Enjoy your table for a long time to come.
- A screwdriver is not provide inthe hardware

MADE IN VIETNAM