



Assembly Instructions

4188-1 Cocktail Table

USIL

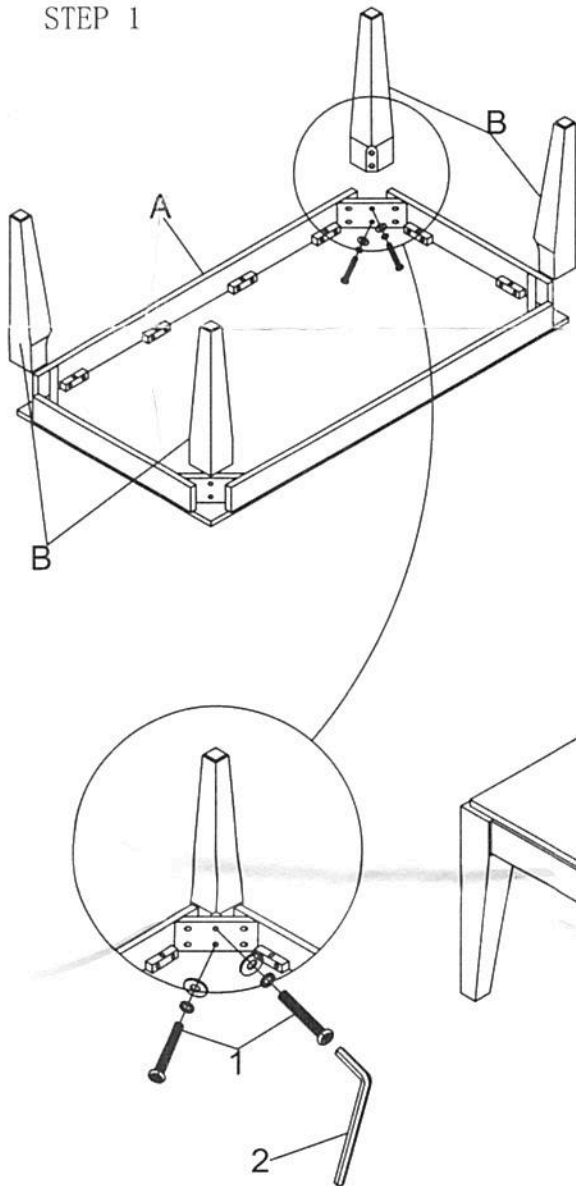
SKU NO.: 22141890

Thank you for purchasing this quality product. Be sure to check all packing materials carefully for small parts that may have come loose inside the carton during shipment. Identify and count all parts and compare with the **HARDWARE LIST** below.

Caution: Please read instructions thoroughly before unpacking assembly parts.

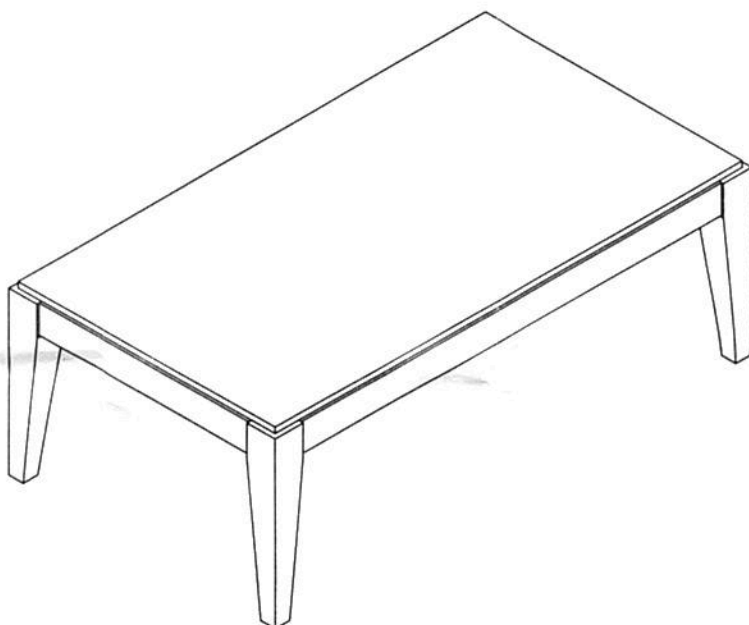
1. We recommend that you assemble this product with the assistance of another person: this will make assembly easier, and will help to eliminate damage to the product or injury to persons during assembly.
2. Please do not over tighten screws or bolts until the assembly is completed.
3. Please put all parts on a non-abrasive floor before assembly, and follow the assemble steps to assemble your newly purchased product correctly and efficiently.

STEP 1



NO.	PARTS LIST		Q'TY
A	Table top		1 PC
B	Legs		4 PCS

NO.	HARDWARE		Q'TY
1		Ø5/16" x 18 x 55 mm Bolt	8 PCS
		Ø5/16**1,8mm Lock Washer	8 PCS
		Ø5/16**Ø19*2mm Flat Washer	8 PCS
2		L-Allen Key	1PC



Assembly complete
Made in VietNam