

ASSEMBLY INSTRUCTION

ITEM NO : T437-17 Storage Trunk

Thank you for purchasing our product, please study the diagram and inventory all parts before assembling.

Important Note :

Follow instructions listed below in the proper sequence to assure fast, easy and correct assembly.

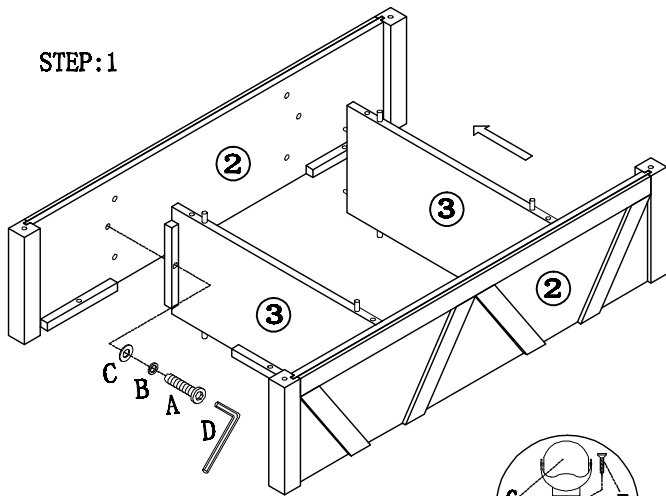
Do not completely tighten until the item has been fully assembled.

1. Upon opening thoroughly clean all wood surfaces with a clean soft cloth to remove dust and dirt that may have settled onto finish during shipment.

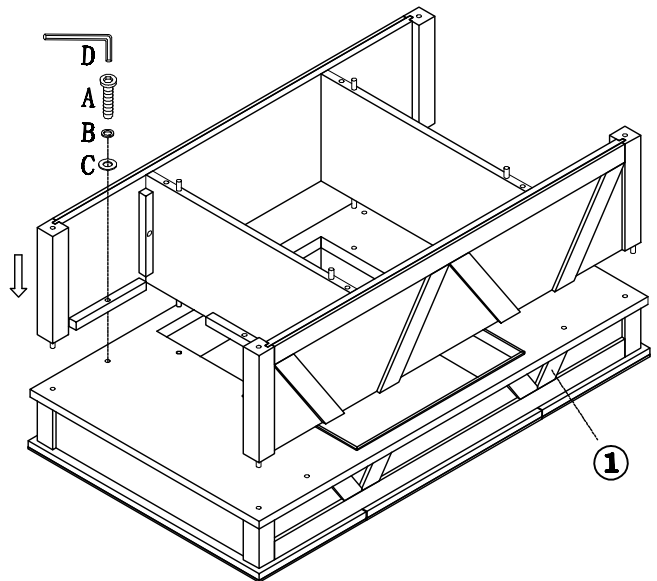
2. Place on soft surface during assembly to prevent furniture from scratching.

PARTS TABLE				HARDWARE LIST											
①		Top Assembly	1PC	④		Bottom Shelf	1PC	A		Hexagon bolt ($\phi 5/16'' \times 1-1/4''$)	14PCS	B		Spring washer ($5/16''$)	18PCS
②		Side Panel	2PCS	⑤		Foot	4PCS	C		Flat washer ($5/16'' \times 16D$)	18PCS	D		Allen Wrench ($\phi 5/16$)	1PC
③		Center Vertical Panel	2PCS					E		Hexagon bolt ($\phi 5/16'' \times 2-1/4''$)	4PCS	F		Screw (3×12)	20PCS
								G		Caster	5PCS				

STEP:1



STEP:2



STEP:3

