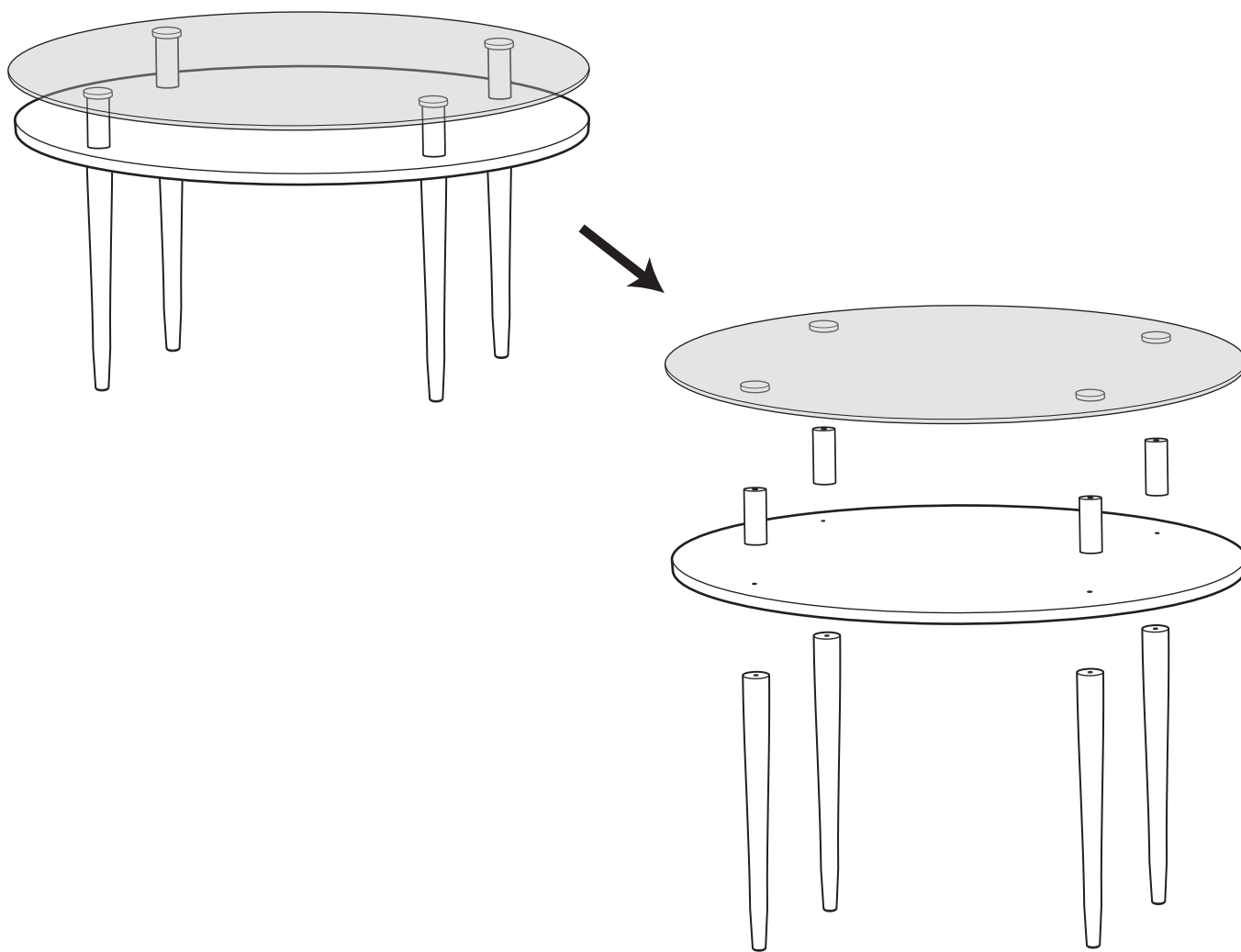
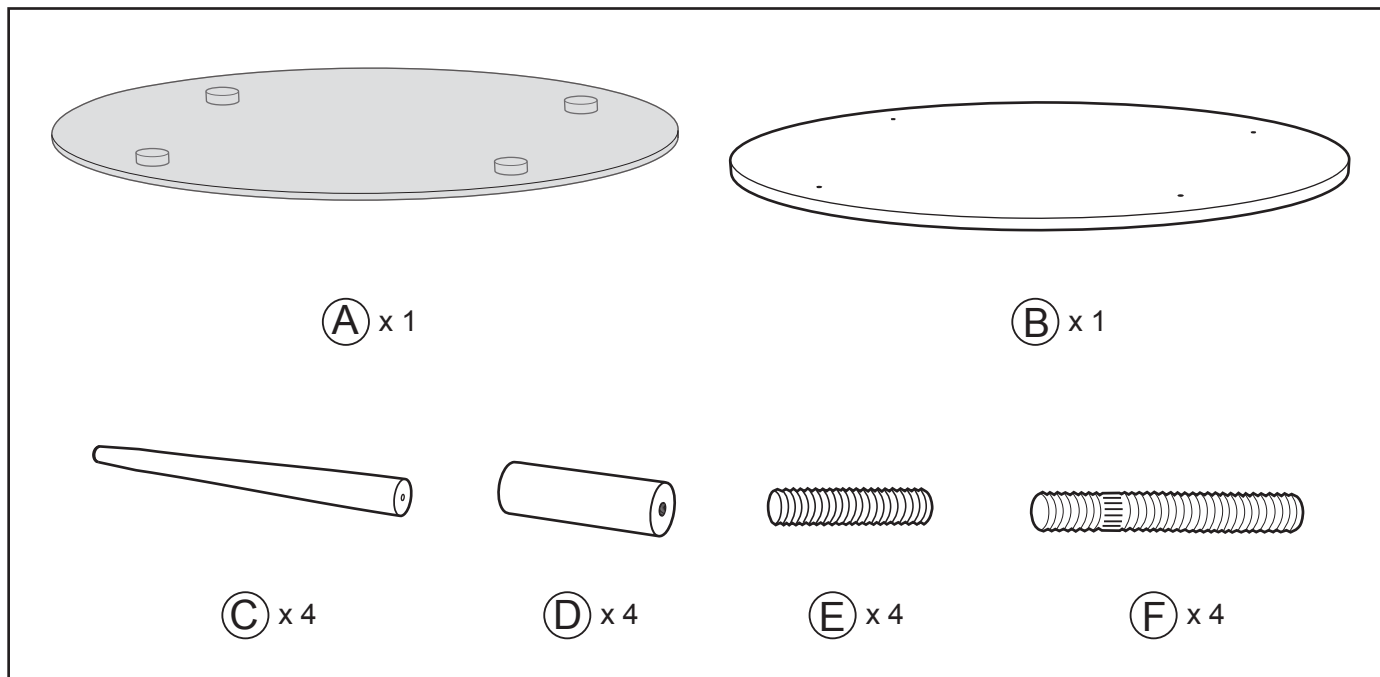


ASSEMBLY INSTRUCTIONS DWIGHT COFFEE TABLE

WK4802-15

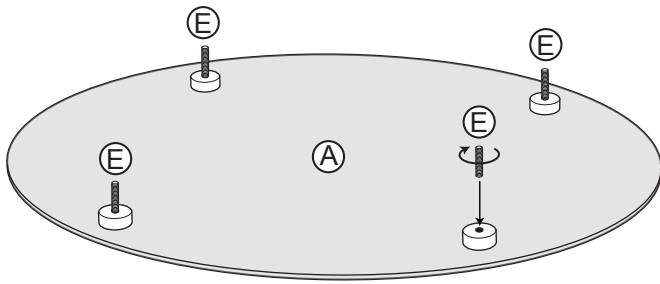


WEIGHT CAPACITY : 30KGS (66LBS).

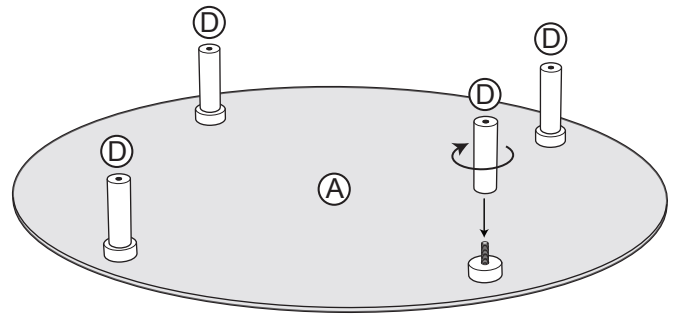
ADESSO[®]

353 West 39th Street, 2nd Floor, NY, NY 10018
Tel: (212) 736 4440 Fax: (212) 736 4806
www.adessohome.com

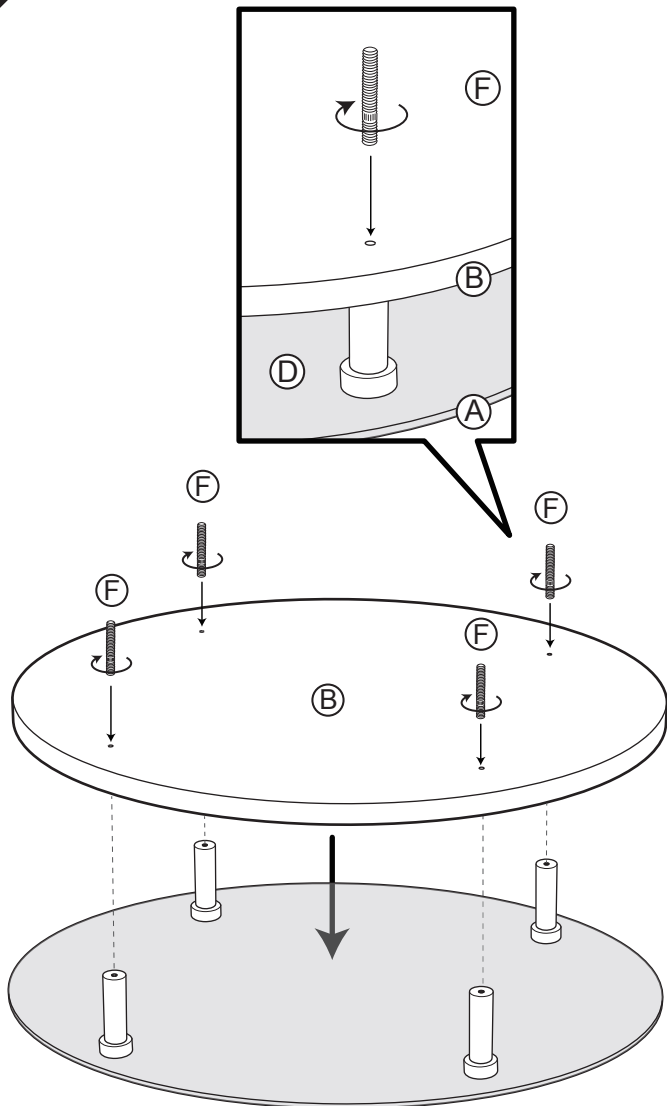
1



2



3



4

