



SUFU #5251DK-C (22152514)
LAGUNA COCKTAIL TABLE
Assembly Instructions

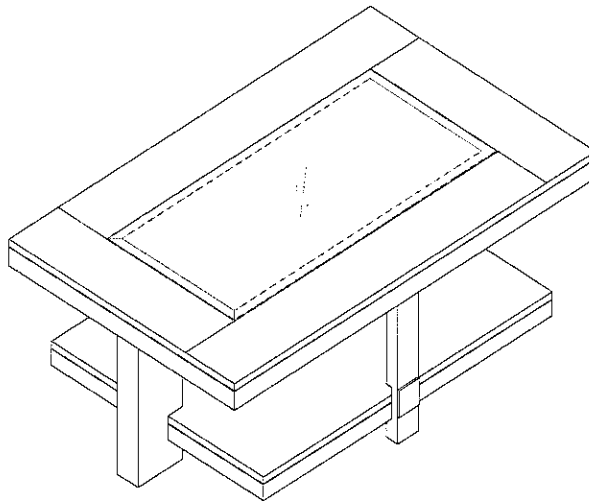
p1 of 2

Caution: Please read instructions thoroughly before unpacking assembly parts, sharp, exposed staple tips can cause injury, therefore, for your protection, please remove any exposed staples used in packing.

1. We recommend that you should assemble this product with the assistance of another person; this will make assembly easier, and will help to eliminate damage to the product or injury to persons during assembly.
2. Be sure to check all packing materials carefully for small parts that may have come loose inside the carton during shipment.
3. Please do not over tighten screws or bolts.
4. Please put all parts on a non-abrasive floor before assembly, and follow the assembly steps to assemble your newly purchased product correctly and efficiently.

NO.	Part List	QTY
A	TOP PANEL	1
B	BIG LEG	2
C	BOTTOM SHELF	1
D	GLASS	1
E	CASTER	4
F	SMALL LEG	2

NO.		Hardware List	
1		BOLT($\phi\frac{1}{4}$ "*20"*1-7/8")	6SETS PC
		SPRING WASHER($\phi\frac{1}{4}$ ")	
		FLAT WASHER($\phi\frac{1}{4}$ "*16mm)	
2		ALLEN WRENCH($\phi 4mm$)	1 PCS
3		BOLT($\phi\frac{1}{4}$ "*20"*3-1/2")	4SETS PC
		SPRING WASHER($\phi\frac{1}{4}$ ")	
		FLAT WASHER($\phi\frac{1}{4}$ "*16mm)	

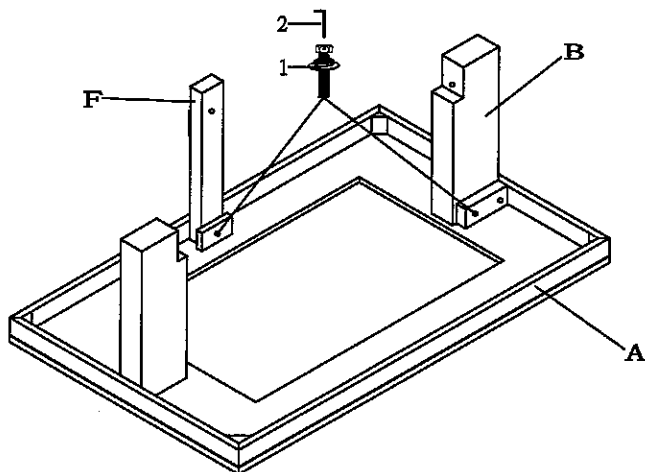




SUFU #5251DK-C (22152514) LAGUNA COCKTAIL TABLE Assembly Instructions

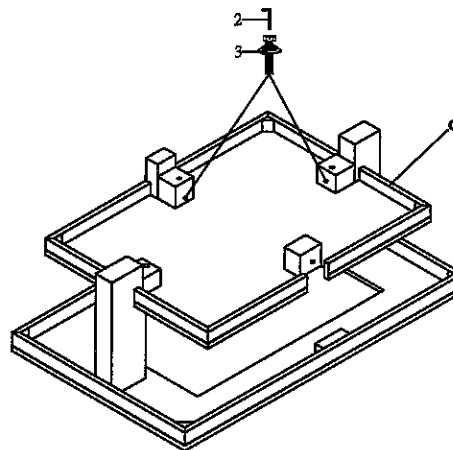
. Unpack carton and place all parts on a non-abrasive floor.

Step 1 . ATTACH BIG LEGS (B) AND SMALL LEGS (F) TO TABLE TOP (A) AND THEN ASSEMBLE THEM TOGETHER.
NOTE: DO NOT TIGHTEN COMPLETELY UNTIL ALL PARTS ARE ASSEMBLED.



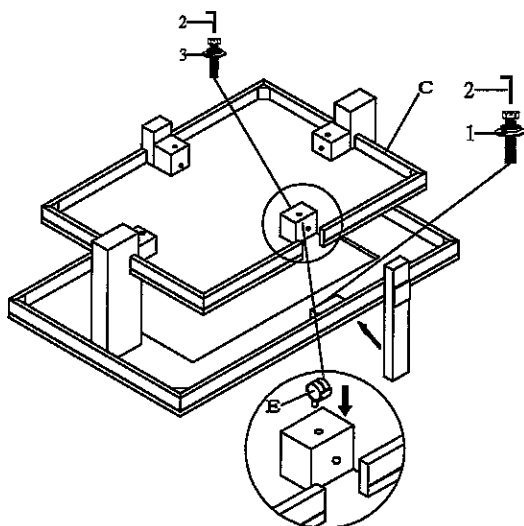
This step needs installation of five bolts(1) .

Step 2 . ATTACH BOTTOM SHELF (C) AND THEN ASSEMBLE THEM TOGETHER.



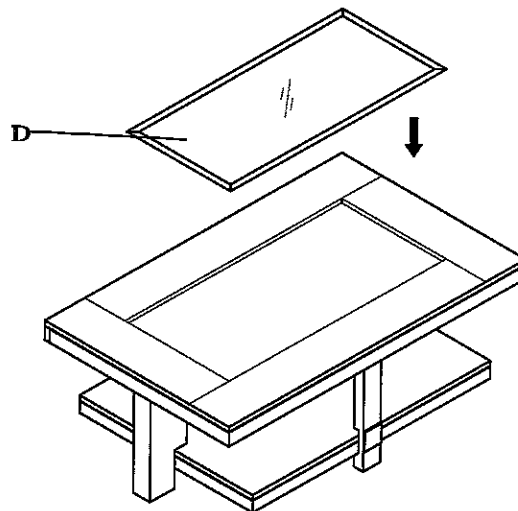
This step needs installation of three bolts(3) .

Step 3 . ATTACH SMALL LEG (F) TO THE TABLE, THEN ATTACH CASTERS (E) TO THE BOTTOM SHELF (C) .



This step needs installation of one bolts(1) and one bolts(3) .

Step 4 . PLACE GLASS (D) WITH THE ETCHED STRIPE DOWN.



. Assembly is now completed. Thank you for choosing this Quality product.