



Manufactured for Rooms To Go

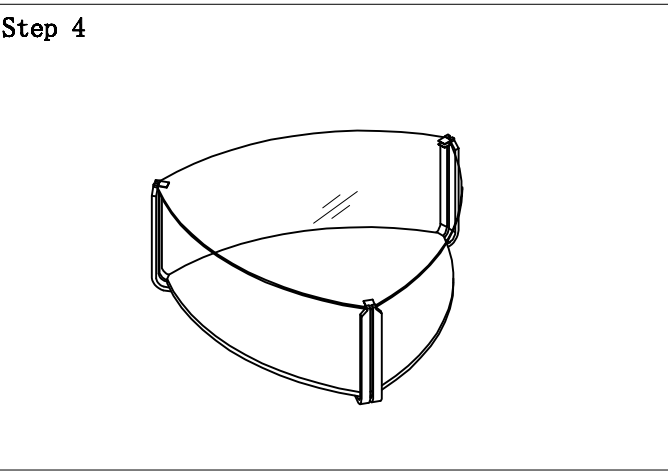
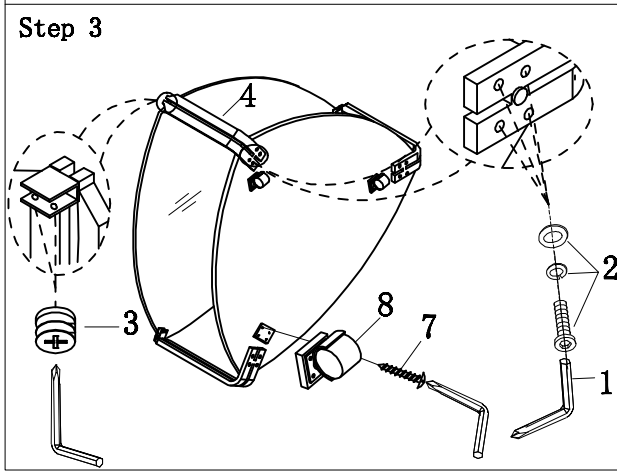
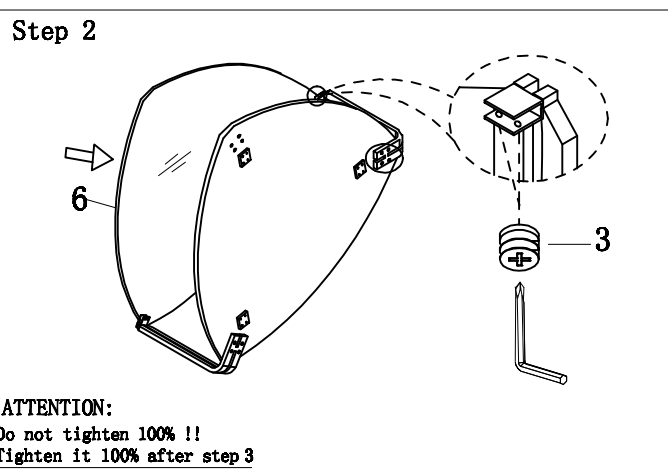
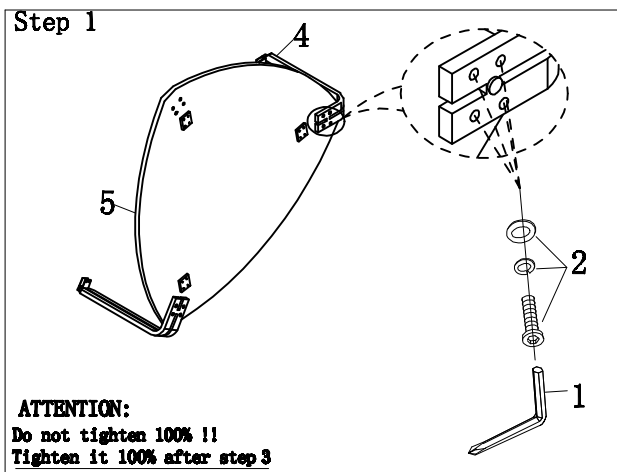
# ASSEMBLY INSTRUCTION

## ALEK 529-30 COCKTAIL TABLE W/CASTERS

### SKU 22152932

Thank you for purchasing this quality product. Be sure to check all packing material carefully for small parts which may have come loose inside the carton during shipment. Identify and count all parts and compare with the Parts list below:

No.	PART	DESCRIPTION	Q. TY				
1		Allen Wrench:M4	1	5		Bottom frame	1
2		Bolt:1/4"*1-1/4" (20 Threads per inch)	12	6		Top glass	1
3		Nut:M8	6	7		Pan Head Screw	12
4		Leg	3	8		Caster	3



**ASSEMBLY INSTRUCTION**

- 1) Carefully unwrap the furniture and place all parts on a clean soft blanket.
- 2) Attach Leg(4) to Bottom frame(5) use Bolt(2) tighten by Allen Wrench(1) as Step 1.
- 3) Attach Top glass (6) to Leg(4) use Nut(3) tighten by Allen Wrench(1) as Step 2.
- 4) Attach Caster(8) to Bottom frame(5) use Pan Head Screw(7) as step 3.
- 5) Tighten the legs with Bottom frame and Top glass 100%.
- 6) Enjoy your table for a long time to come.

MADE IN CHINA