

ROOMS

TO GO ▶

ALEK 5537-1 COCKTAIL TABLE (SKU#22155370)

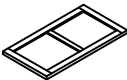




ASSEMBLY INSTRUCTION



Thank you for purchasing this quality product. Be sure to check all packing material carefully for small parts which may have come loose inside the carton during shipment. Identify and count all parts and compare with the Parts list below:

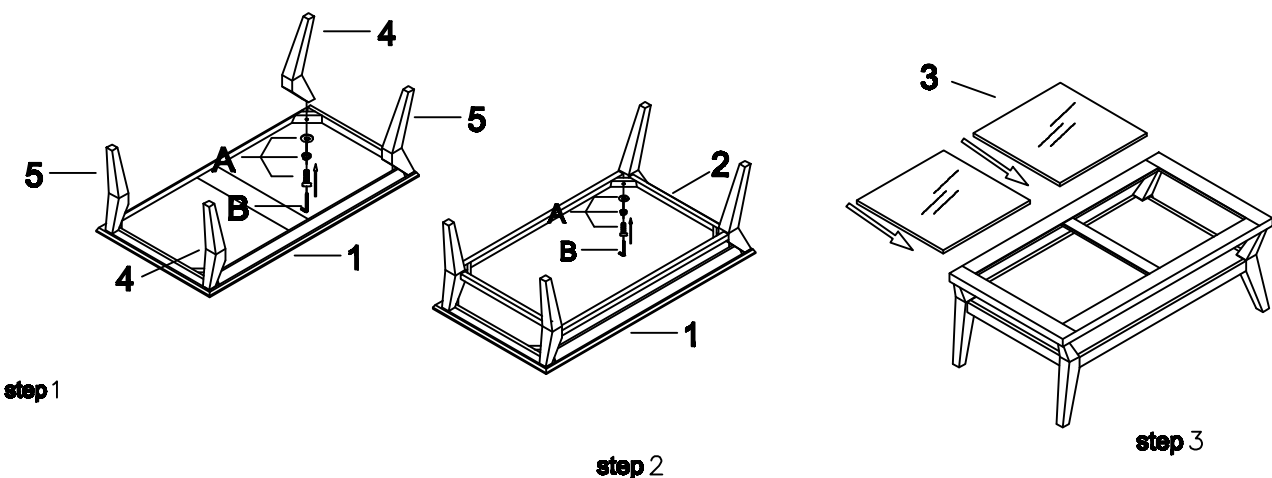
Follow instructions listed below in the proper sequence to assure fast, easy and correct assembly.

DO NOT COMPLETELY TIGHTEN UNTIL ALL BOLTS AND PARTS ARE LOOSELY ASSEMBLED IN ORDER TO ENSURE PROPER ALIGNMENT

1. Upon opening thoroughly clean all wood surfaces with a clean soft cloth to remove dust and dirt that may have settled onto finish during shipment
2. Place on soft surface during assembly to prevent furniture from scratching

PARTS LIST			
NO.	PART	DESCRIPTION	QTY
1		TOP FRAME	1
2		SHELF	1
3		TOP GLASS INSERT	2
4		LEG a	2
5		LEG b	2

HARDWARE LIST			
NO.	PART	DESCRIPTION	QTY
A		BOLT: $\phi 1/4 \times 1"$	8
		LOCK WASHER: $\phi 1/4"$	8
		WASHER: $\phi 1/4 \times 16\text{mm}$	8
B		ALLEN WRENCH: 4mm	1



ASSEMBLY INSTRUCTION

- 1) Carefully unwrap the furniture and place all parts on a clean soft blanket
- 2) Place the table top frame downside, using A.B to attach 2 pairs leg to the frame, tighten them to 100%, as shown in step 1, 2.
- 3) Put the glass insert the top frame finally, as shown in step 3.
- 4) Enjoy your table for a long time to come.

MADE IN CHINA