






Manufactured for Rooms To Go



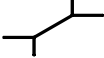
ASSEMBLY INSTRUCTION

ALEK 212-1 Lift Top Cocktail Table

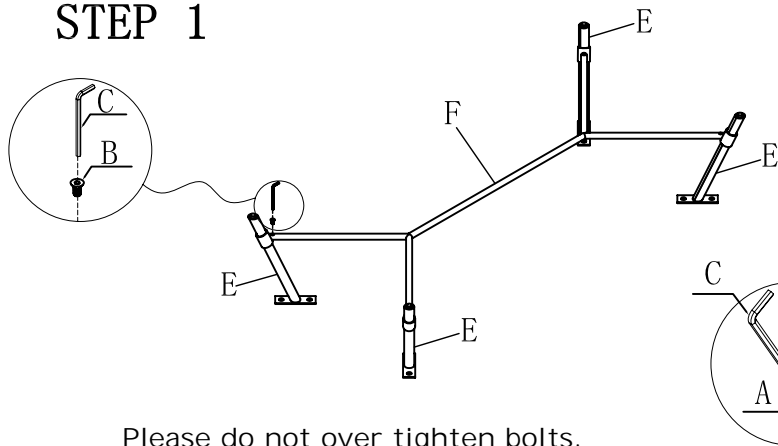
SKU: 22162123

Thank you for purchasing this quality product. Be sure to check all packing material carefully for small parts, which may have come loose inside the carton during shipment. Identify and count all parts and compare with the HARDWARE LIST below.

NO.	PART	DESCRIPTION	Q' TY
A		Ø1/4" * 3/4" BOLT (20 Threads per inch.)	8
B		Ø1/4" * 1/2" BOLT (20 Threads per inch.)	4
C		ALLEN WRENCH (4MM)	1

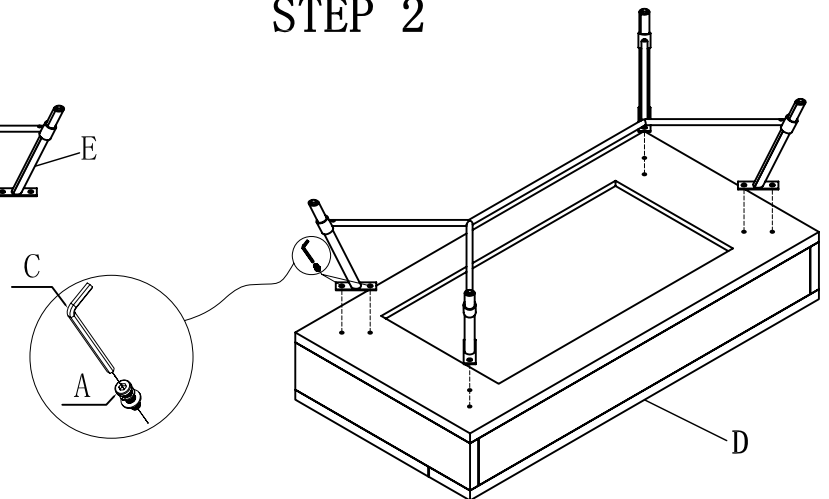
NO.	PART	DESCRIPTION	Q' TY
D		TABLE TOP	1
E		LEG	4
F		CONNECTING PIPE	1

STEP 1

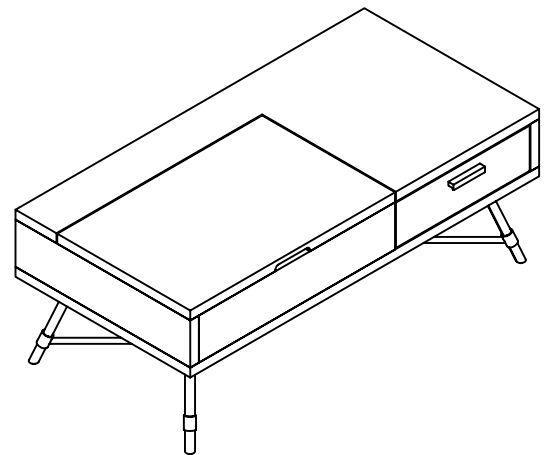
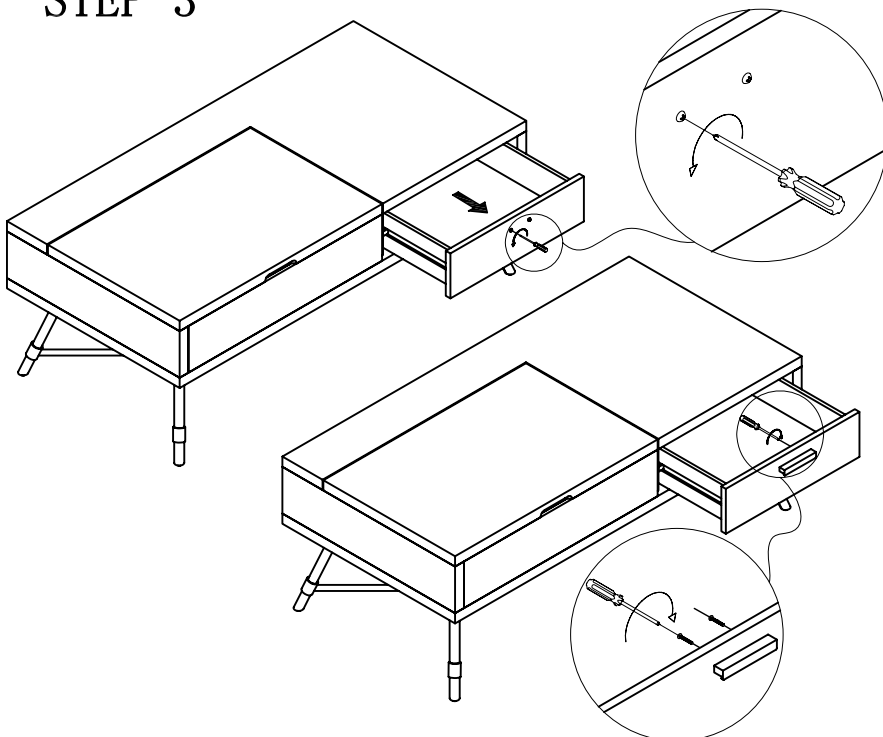


Please do not over tighten bolts.

STEP 2



STEP 3



Fully tighten all bolts at this time.
Assembly product is now completed.

MADE IN VIETNAM