



ASSEMBLY INSTRUCTION

TEAE MARSHALL2-1 RECT CT

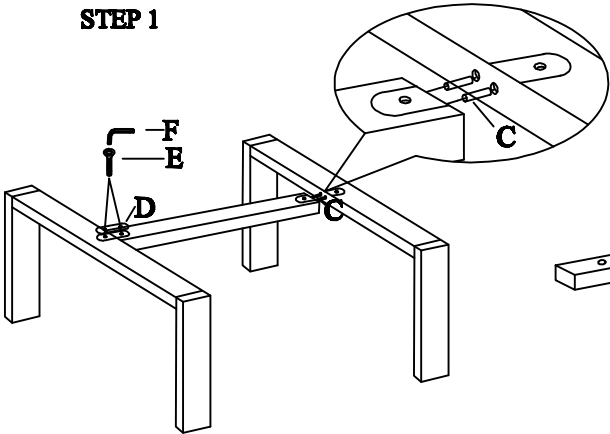
SKU# 22162779

Thank you for purchasing this quality product. Be sure to check all packing material carefully for small parts which may have come loose inside the carton during shipment. Identify and count all parts and compare with the hardware list below

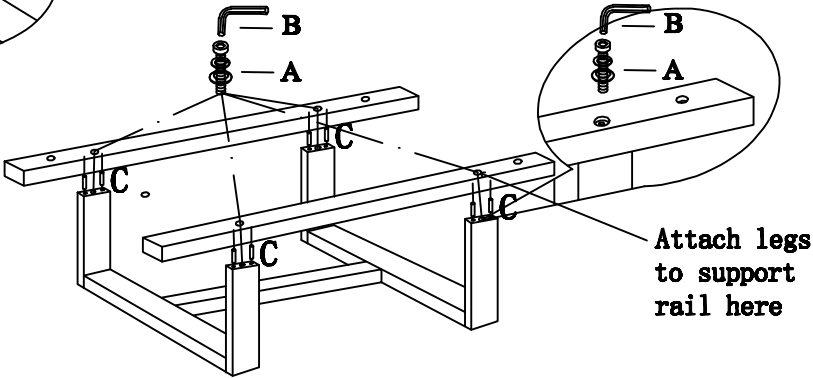
HARDWARE LIST :

NO.	Drawing	Description	Dimension	Qty
A		BOLT	5/16"*18*2"	10 pcs
		LOCK WASHER	5/16"*19mm	10 pcs
		FLAT WASHER	5/16"	10 pcs
B		ALLEN WRENCH	5mm	1pc
C		DOWEL	10*40mm	12 pcs
D		METAL PLATE	90*25*3mm	2 pcs
E		BOLT	1/4"*16*1"	4 pcs
F		ALLEN WRENCH	4mm	1pc

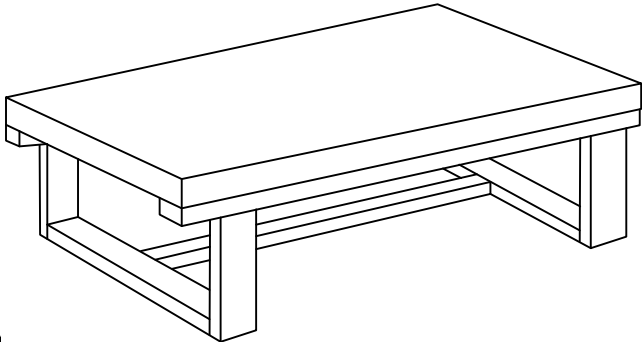
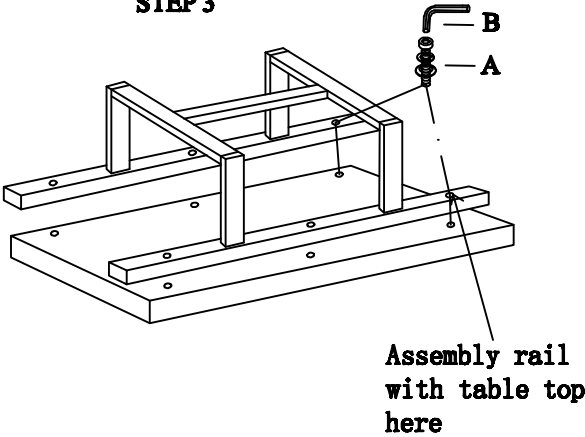
STEP 1



STEP 2



STEP 3



Caution:
Please do not
tighten all bolts
until the table is
completely
assembled!

MADE IN CHINA