

Assembly Instructions

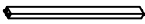
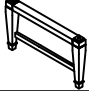

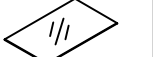
YUYU Y1171-1D COCKTAIL TABLE




SKU #: 22167111

Thank you for purchasing this quality product. Be sure to check all packing materials carefully for small parts, which may have come loose inside the carton during shipment. Identify and count all parts and compare with the **HARDWARE LIST** below.

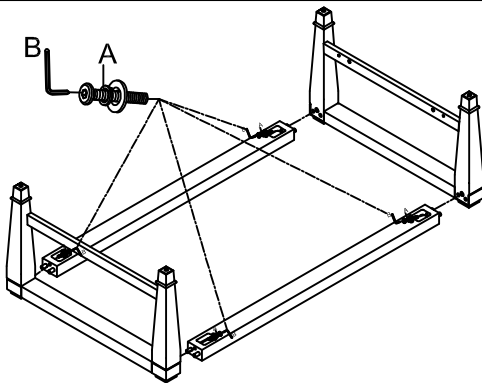
Caution: Please read instructions thoroughly before unpacking assembly parts.

1. We recommend that you assemble this product with the assistance of the another person; this will make assembly easier, and will help to eliminate damage to the product or injury to persons during assembly.
2. Please do not over tighten screws or bolts until the assembly is completed.
3. Please put all parts on a non-abrasive floor before assembly, and follow the assembly steps to assembly your newly purchased product correctly and efficiently.

NO.	PARTS LIST		Q' TY
1		STRETCHER	2
2		LEGS FRAME	2
3		SHELF	1
4		GLASS TABLE TOP	1

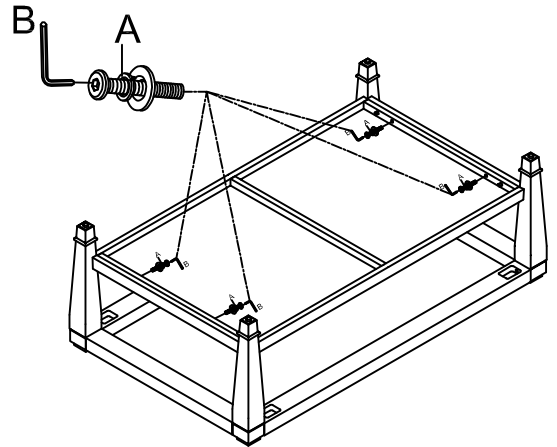
NO.	Hardware List		Q' TY
A		JCBC bolt 5/16"X18X38mm	8
		Lock Washer 5/16"	8
		Flat Washer 5/16"X19mmX1mm	8
B		Allen wrench	1
C		Plastic vacuum 19*12mm	4

STEP 1



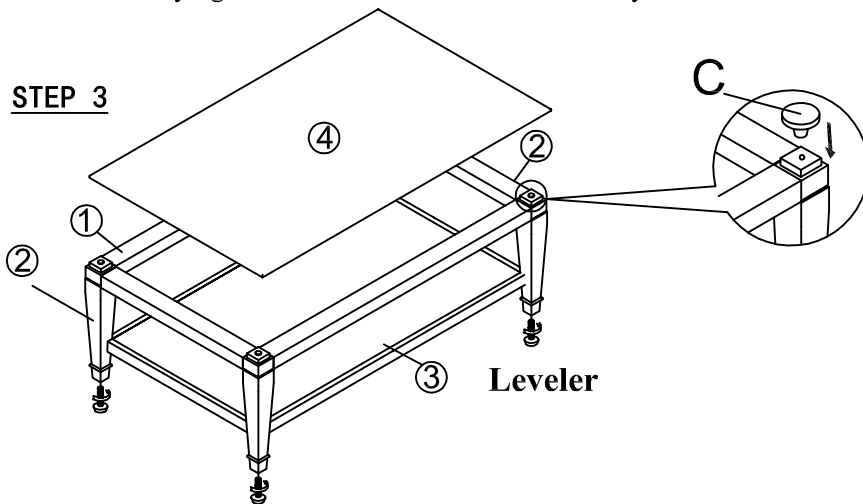
Place the table upside down on a soft, flat surface
Attach the legs frame to the stretchers, using "A" and allen wrench (B)
Do not fully tighten the bolts to allow shelf assembly.

STEP 2



Attach the shelf to the legs frame, using "A" and allen wrench B.
Fully tighten all the bolts. Attach the shelf to the legs frame

STEP 3



Place the table upside down. Cover the holes on top of the legs frame with plastic vacuums (C) as shown in the illustration.
Place the glass top on the table after the assembly is completed.

COMPLETE

