
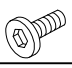
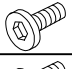




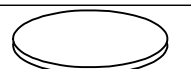


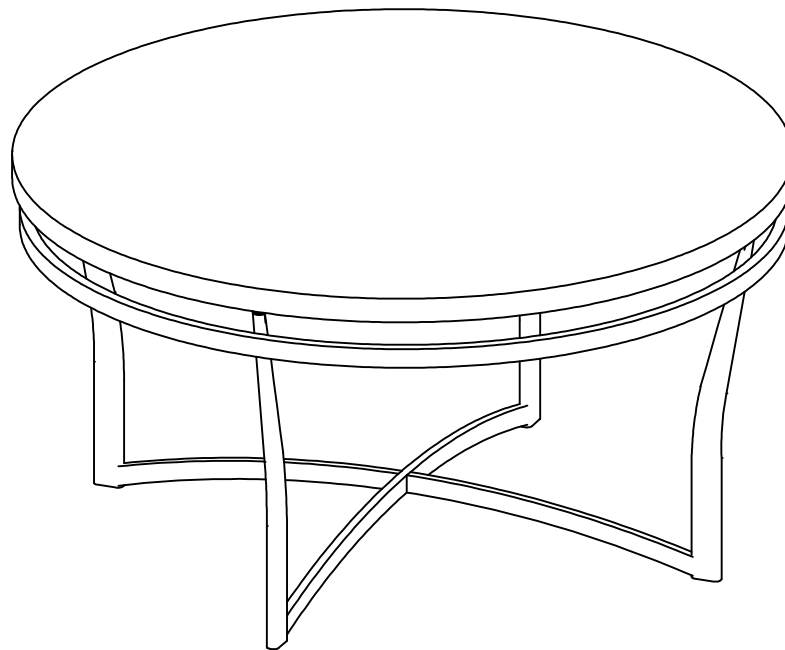


Assembly Instructions

QBYI 7013-1 Cocktail Tabl SKU#22170132

Step	Code	Hardware	Q'TY
	A		Allen Key 4X66X25mm 1 PC
1	B		Bolt 1/4 "x5x1/2"L 1 PC
2	B		Bolt 1/4 "x5x1/2"L 8 PCS
3	B		Bolt 1/4 "x5x1/2"L 4 PCS

Code	PARTS	Q'TY
1	 LEG	1PC
2	 LEG	1PC
3	 Frame	1PC
4	 Table top	1PC



Hardware Pack Location:

7013-1 Cocktail Tabl SKU#22170132

MADE IN CHINA

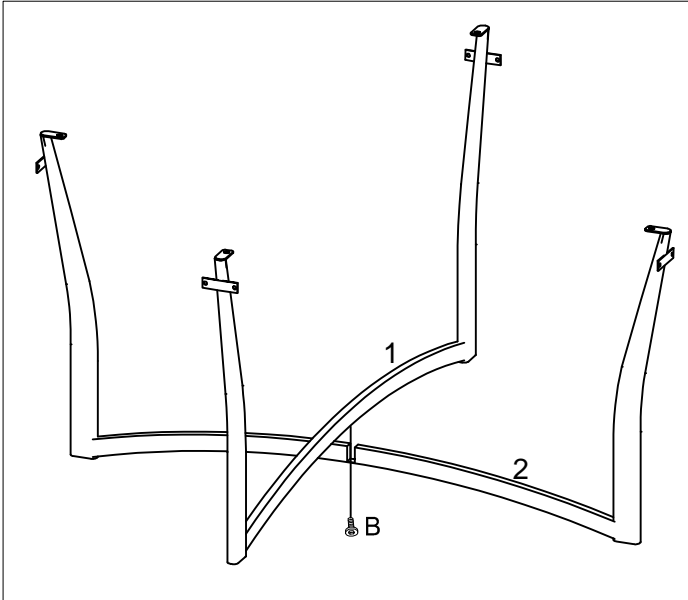


Assembly Instructions

QBYI 7013-1 Cocktail Table SKU#22170132

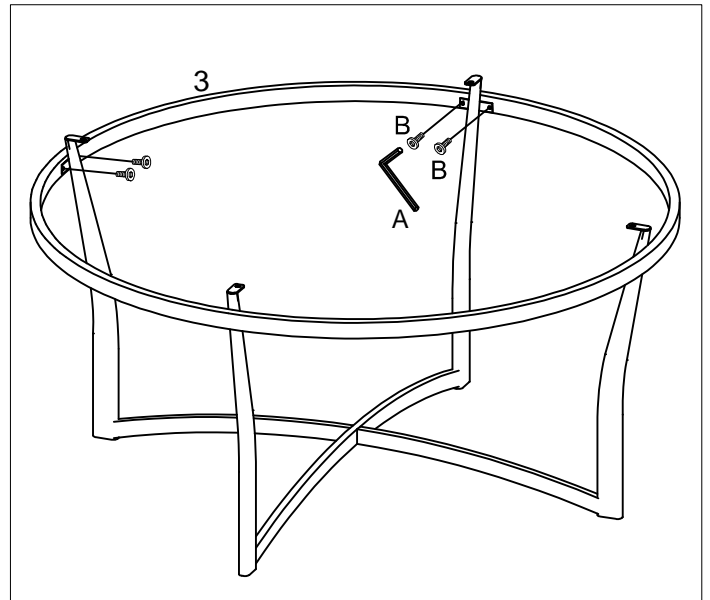
***Caution: Please read all instructions carefully before starting the assembly process. These parts are cumbersome and heavy. Therefore, two people are recommended in order to prevent personal injury and insure the parts are not damaged during the assembly.

STEP 1:



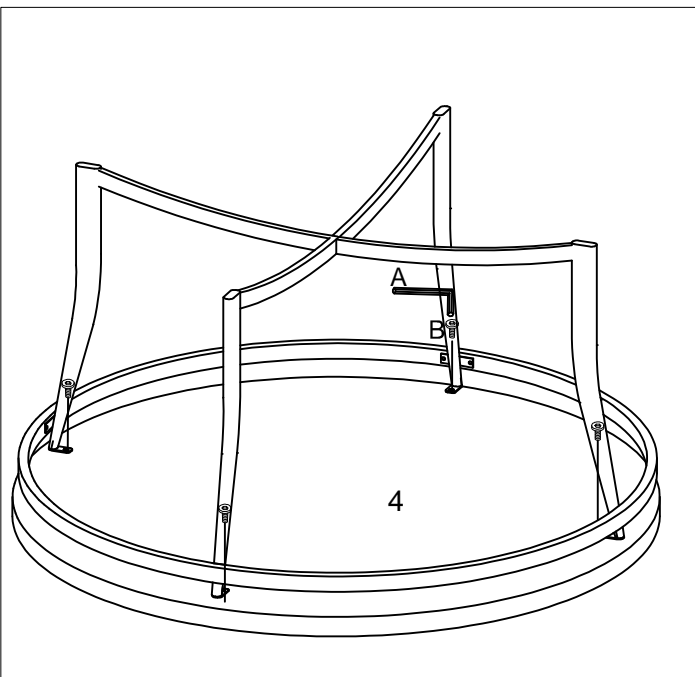
Assemble two legs together with bolt(B).
Please don't tighten bolts until all pieces lock in place.

STEP 2:



Assemble the metal ring to the legs with bolt(B).
using Allen key (A).
Please don't tighten bolts until all pieces lock in place.

STEP 3:



Assemble the metal leg to the top with bolt(B).
using Allen key (A).
Tighten all bolts.

MADE IN CHINA