



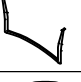




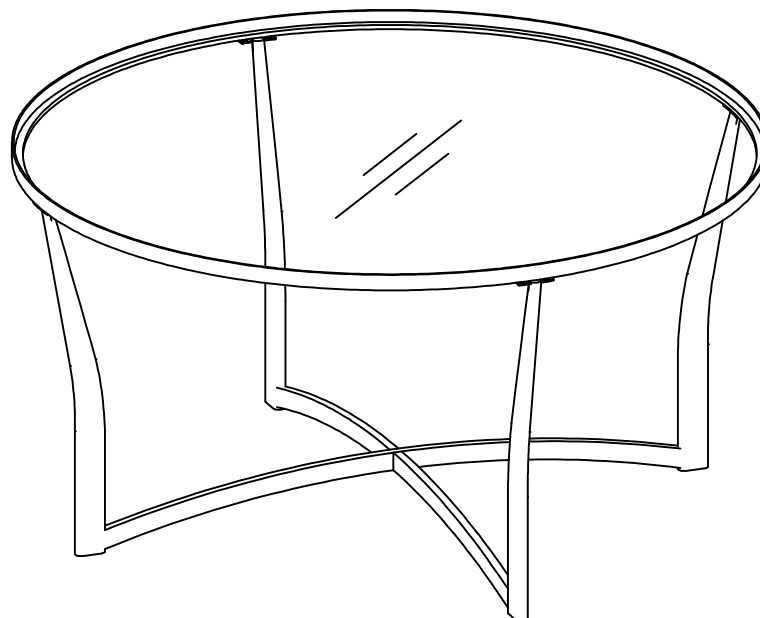


# Assembly Instructions

QBYI CF7119 Cacktail Table SKU#22171196

Step	Code	Hardware	Q'TY
	A	 Allen Key 4X66X25mm	1 PC
1	B	 Bolt 1/4 "x5x1/2"L	9 PCS
2	C	 RUBBER BUMPER	8 PCS

Code	PARTS	Q'TY
1	 LEG	1PC
2	 LEG	1PC
3	 FRAME	1PC
4	 GLASS TOP	1PC



## Hardware Pack Location:

CF7119 Cacktail Table SKU#22171196

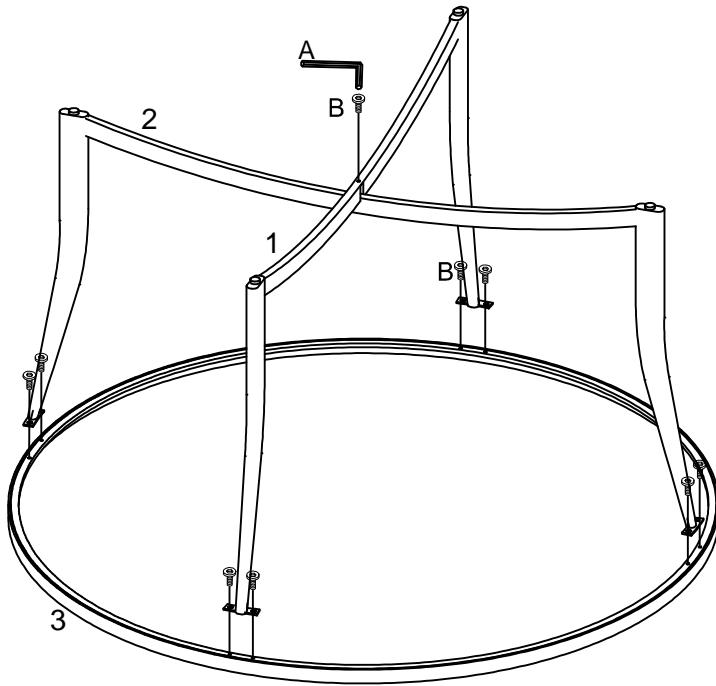


# Assembly Instructions

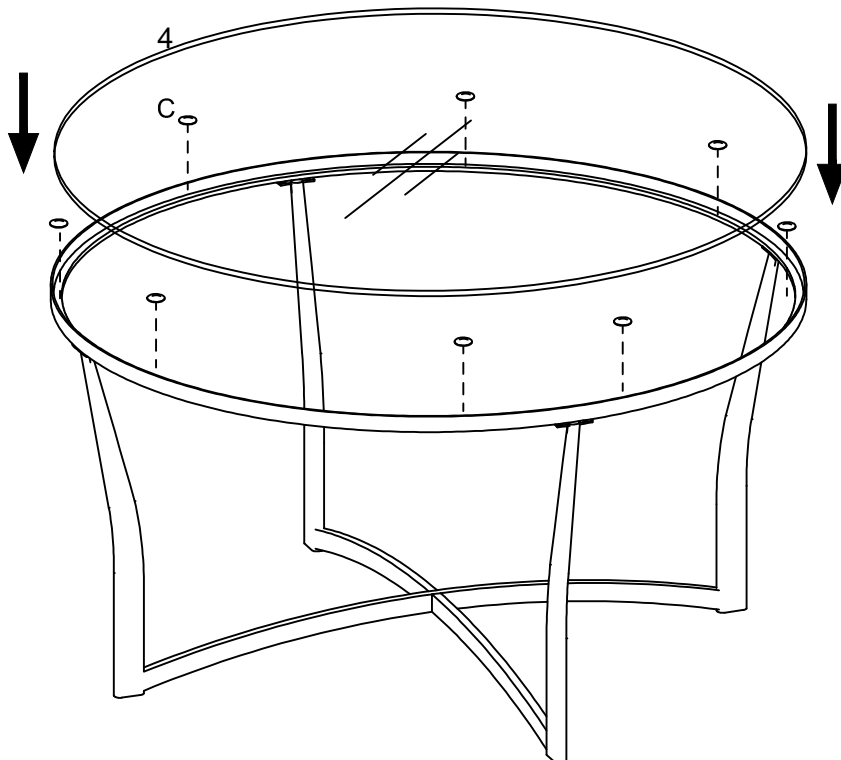
QBYI CF7119 Cacktail Table SKU#22171196

\*\*\*Caution: Please read all instructions carefully before starting the assembly process. These parts are cumbersome and heavy. Therefore, two people are recommended in order to prevent personal injury and insure the parts are not damaged during the assembly.

STEP 1:






STEP 2:







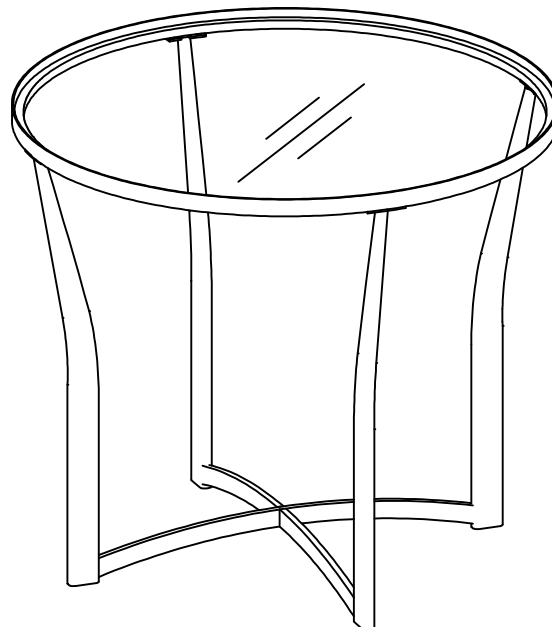


# Assembly Instructions

QBYI ET7119 EndTable SKU#23071195

Step	Code	Hardware	Q'TY
	A	 Allen Key 4X66X25mm	1 PC
1	B	 Bolt 1/4 "x5x1/2"L	9 PCS
2	C	 RUBBER BUMPER	4 PCS

Code	PARTS	Q'TY
1	 LEG	1PC
2	 LEG	1PC
3	 FRAME	1PC
4	 GLASS TOP	1PC



## Hardware Pack Location:

ET7119 EndTable SKU#23071195

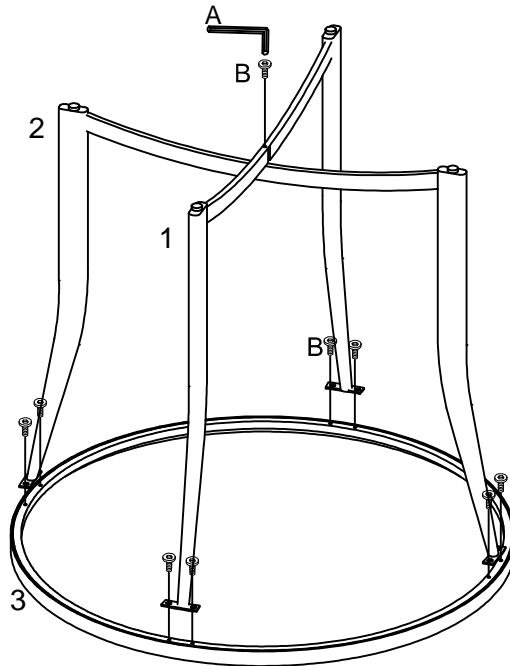


# Assembly Instructions

QBYI ET7119 EndTable SKU#23071195

\*\*\*Caution: Please read all instructions carefully before starting the assembly process. These parts are cumbersome and heavy. Therefore, two people are recommended in order to prevent personal injury and insure the parts are not damaged during the assembly.

STEP 1:



STEP 2:

