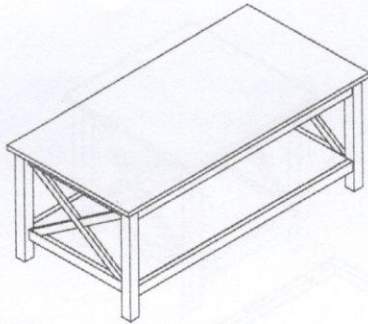


# Progressive® furniture ASSEMBLY INSTRUCTION

Item No: P306-95 & P309-95

Description: LIFT - TOP THREE PACK TABLE








## IMPORTANT NOTE:

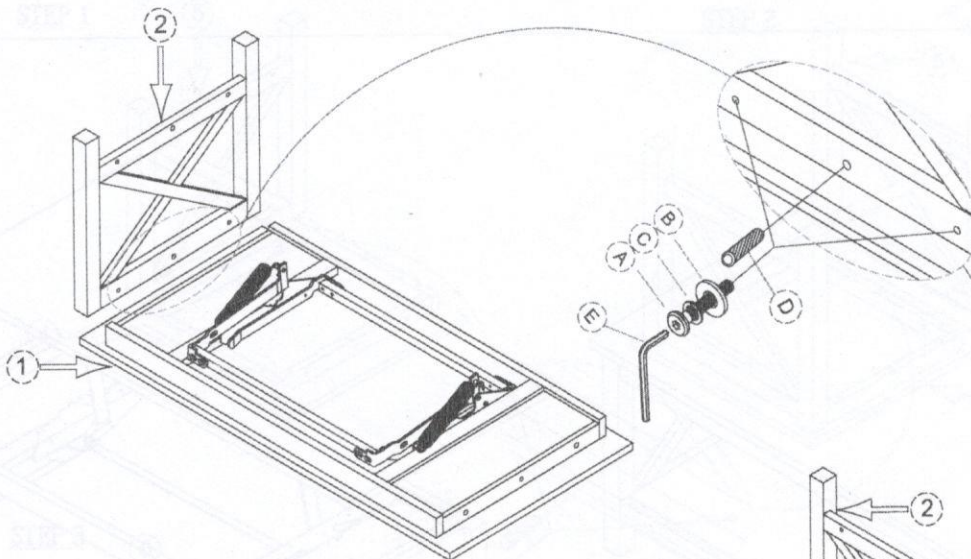
- Place all wooden parts on a clean and smooth surface such as a rug or carpet to avoid the parts from being scratched.
- Check to be sure that you have all parts and hardware.
- Remove all wrapping materials, including staples & packing straps before you start to assemble.
- Do not tighten all screws/bolts until all completely assembled.
- Keep all hardware parts out of reach of children.

### Lift- Top Cocktail Table

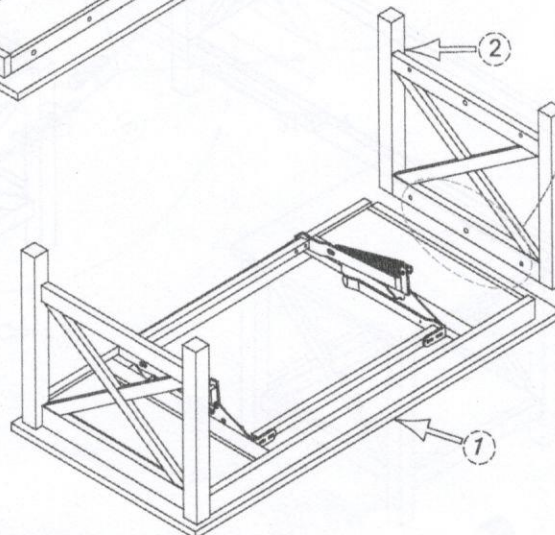
PARTS LIST		
NO.	COMPONENT	QTY.
1	TABLE TOP	1PC
2	TABLE LEG	2PCS
3	BOTTOM SHELF	1PC

HARDWARE LIST			
NO.		DESCRIPTION	QTY
A		Bolt $\Phi 1/4" \times 35\text{mm}$	8 PCS
B		Flat washer $\Phi 1/4"$	8 PCS
C		Lock washer $\Phi 1/4"$	8 PCS
D		Wood Dowel $10 \times 30$	4 PCS
E		Allen wrench	1 PC

### STEP 1

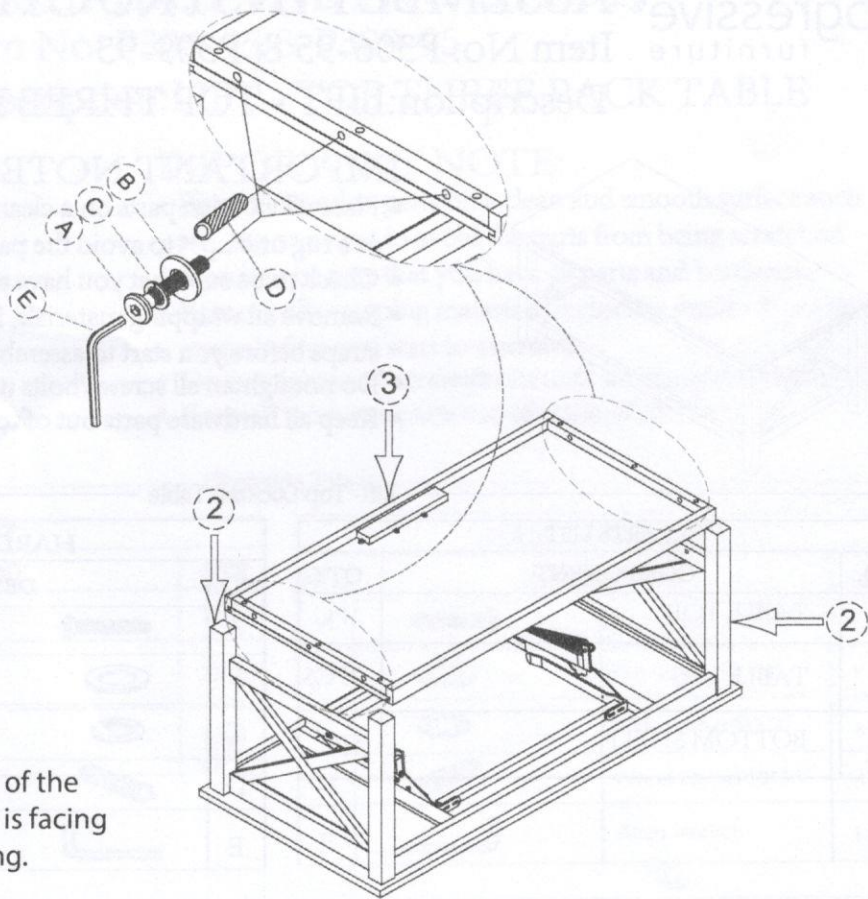


### STEP 2



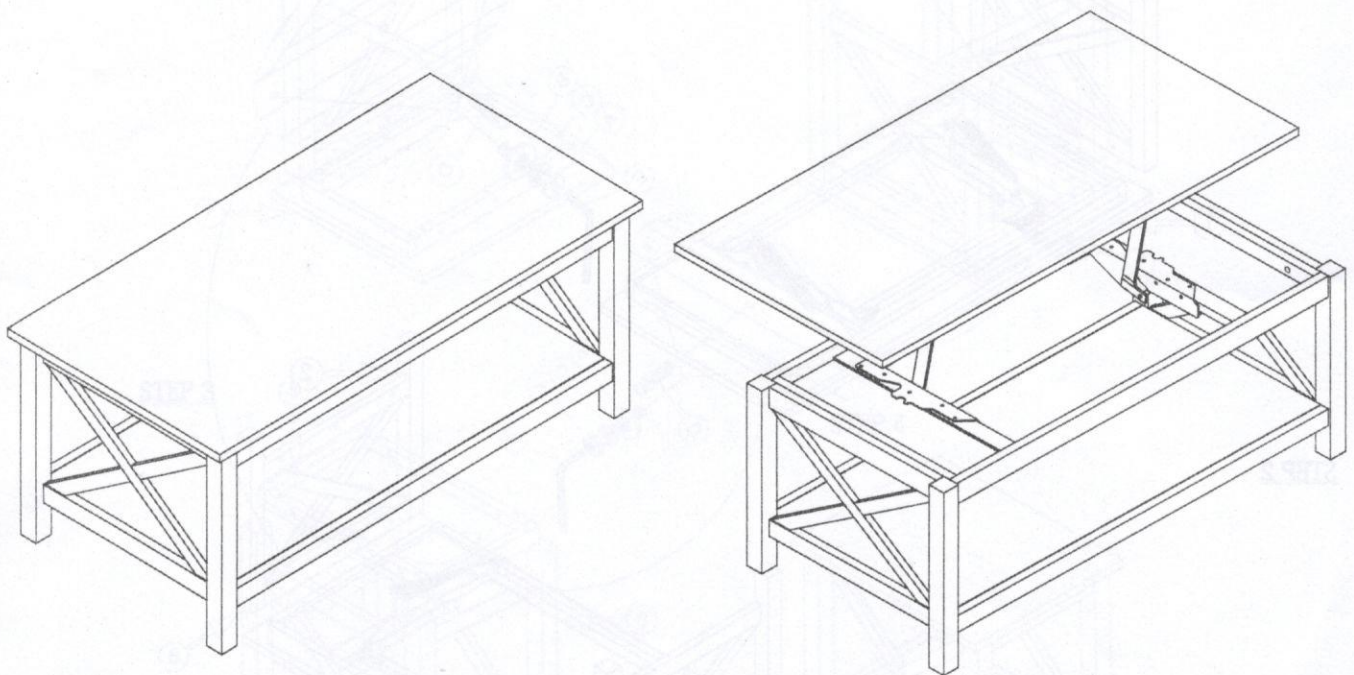


**STEP 3**



Please note that the direction of the shelf with the counter weight is facing opposite of the lift top opening.

**STEP 4**



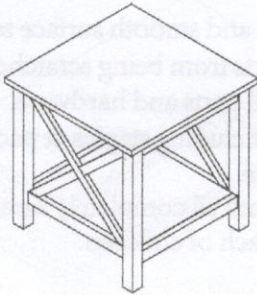


# Progressive® ASSEMBLY INSTRUCTION

furniture

Item No: P306-95 & P309-95

Description: LIFT - TOP THREE PACK TABLE



## IMPORTANT NOTE:

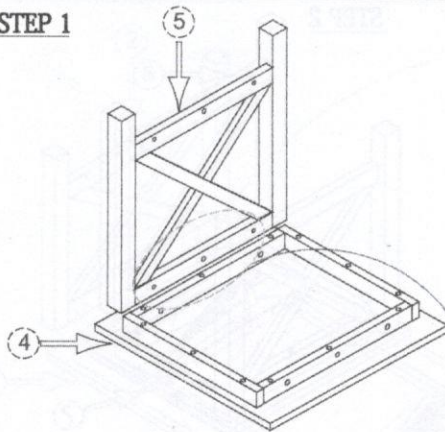
- Place all wooden parts on a clean and smooth surface such as a rug or carpet to avoid the parts from being scratched.
- Check to be sure that you have all parts and hardware.
- Remove all wrapping materials, including staples & packing straps before you start to assemble.
- Do not tighten all screws/bolts until all completely assembled.
- Keep all hardware parts out of reach of children.

End Table

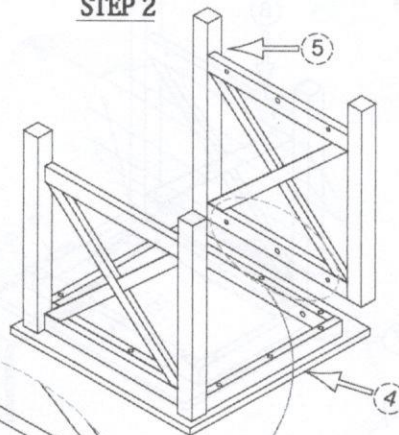
PARTS LIST		
NO.	COMPONENT	QTY.
4	TABLE TOP	1PC
5	TABLE LEG	2PCS
6	BOTTOM SHELF	1PC

HARDWARE LIST			
NO.	DESCRIPTION	QTY	
A	 Bolt $\Phi 1/4" \times 35\text{mm}$	8 PCS	
B	 Flat washer $\Phi 1/4"$	8 PCS	
C	 Lock washer $\Phi 1/4"$	8 PCS	
D	 Wood Dowel $10 \times 30$	4 PCS	
E	 Allen wrench	1 PC	

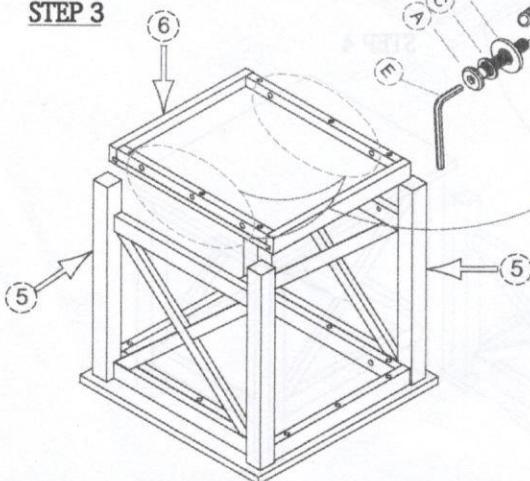
### STEP 1



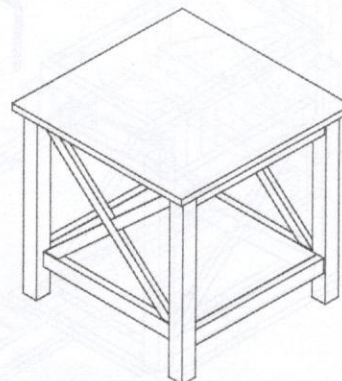
### STEP 2



### STEP 3



### STEP 4

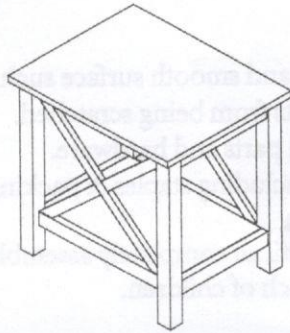




# Progressive® furniture ASSEMBLY INSTRUCTION

Item No: P306-95 & P309-95

Description: LIFT - TOP THREE PACK TABLE





## IMPORTANT NOTE:

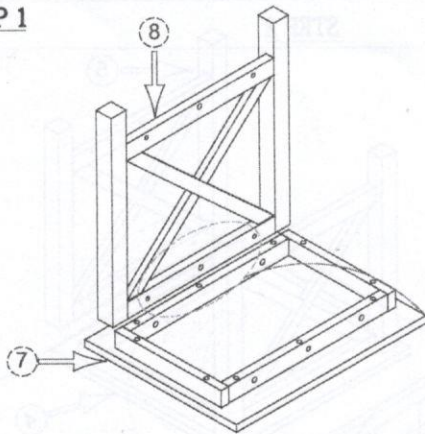
- Place all wooden parts on a clean and smooth surface such as a rug or carpet to avoid the parts from being scratched.
- Check to be sure that you have all parts and hardware.
- Remove all wrapping materials, including staples & packing straps before you start to assemble.
- Do not tighten all screws/bolts until all completely assembled.
- Keep all hardware parts out of reach of children.

### Chairside Table

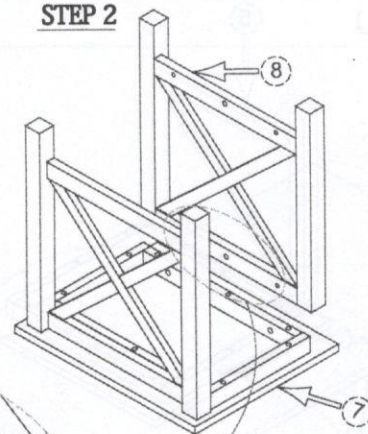
PARTS LIST		
NO.	COMPONENT	QTY.
7	TABLE TOP	1PC
8	TABLE LEG	2PCS
9	BOTTOM SHELF	1PC

HARDWARE LIST			
NO.	DESCRIPTION	QTY	
A	 Bolt $\Phi 1/4"$ x 35mm	8 PCS	
B	 Flat washer $\Phi 1/4"$	8 PCS	
C	 Lock washer $\Phi 1/4"$	8 PCS	
D	 Wood Dowel 10*30	4 PCS	
E	 Allen wrench	1 PC	

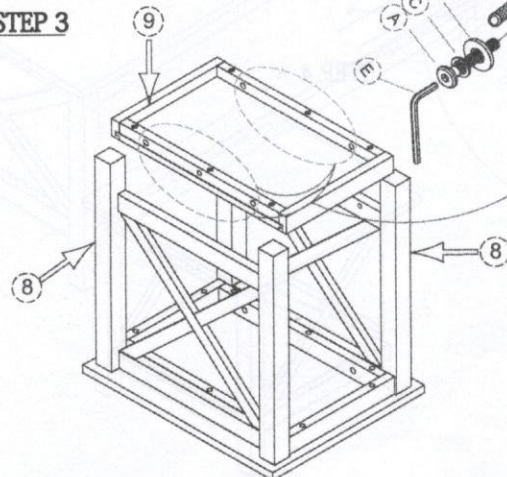
### STEP 1



### STEP 2



### STEP 3



### STEP 4

