

ATTENTION: Some lettered parts listed on the instructions sheets may not be in the parts bag, they may already be assembled.

**TOOLS REQUIRED: Phillips Screwdriver (Not Included)**

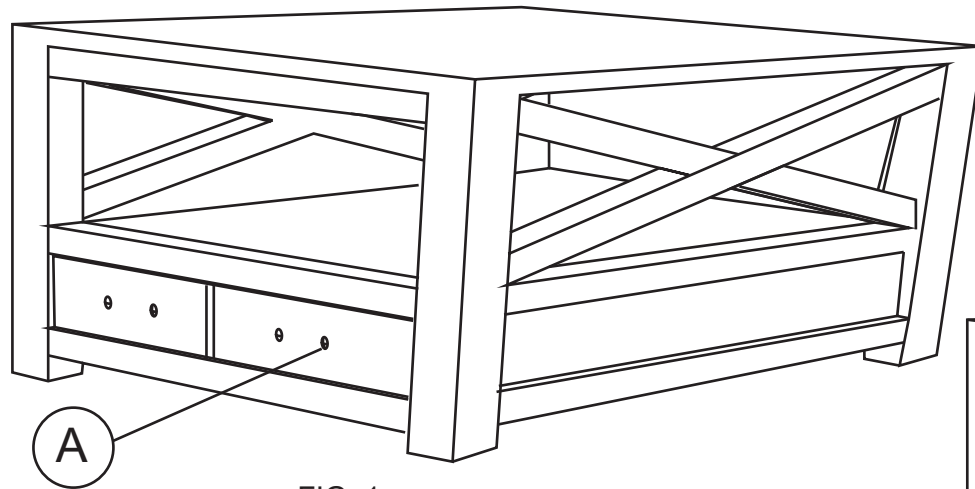


FIG. 1

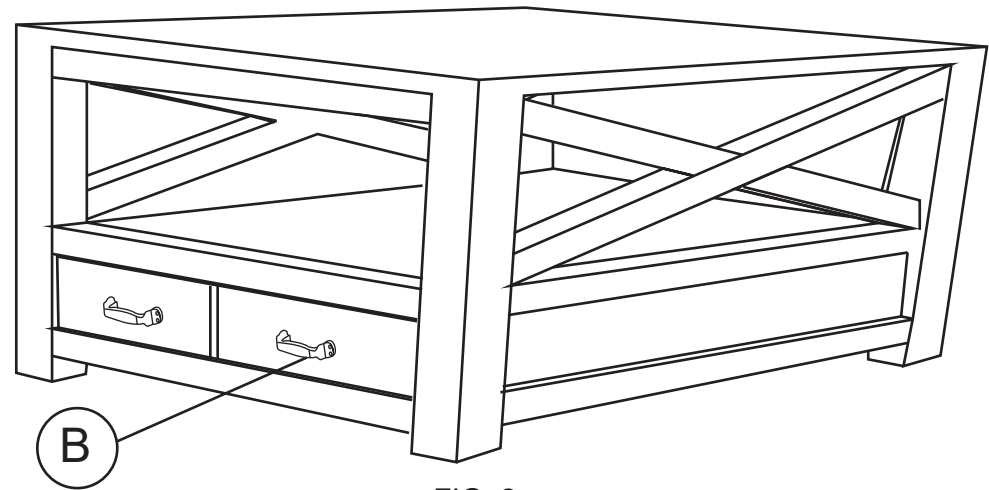




FIG. 2

PRODUCT IMAGE SHOWN IS FOR ILLUSTRATIVE PURPOSES ONLY, SHOULD NOT BE TAKEN AS REFERENCE POINT.

#### INSTRUCTIONS:

- 1.- Unscrew the bolts (A) that are installed in the front of the drawer to take the pull (B)
- 2.-Place the screws from inside the drawer and screw them to the handle pull as shown in FIG. 2

ITEM	DESCRIPTION	IMAGE	SKU	# PZ
A	Bolt 8/32 x 7/8" (ALREADY INSTALLED)		NL-VNBOLT	8
B	HANDLE PULL (ALREADY INSTALLED)		NL-VNHNDL	4



## ASSEMBLY INSTRUCTIONS

instructions for: UNRS 270 VANCOUVER COFFEE TABLE  
RTG SKU: 22172706, 22162705