

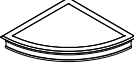
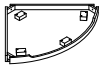
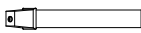

# Assembly Instruction

**RQUE 8128C COCKTAIL TBL**

**SKU#22181298**

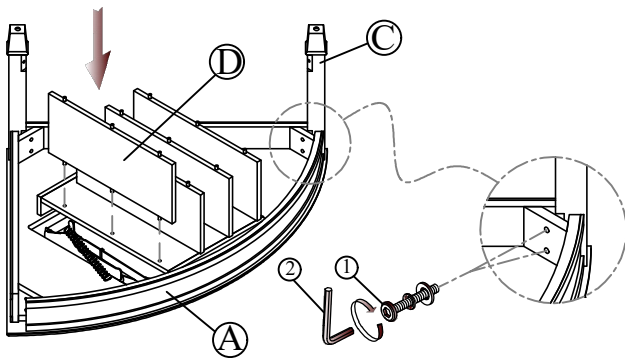
\*\*\*Caution: Please read all instructions carefully before starting the assembly process. These parts are cumbersome and heavy. Therefore, two people are recommended in order to prevent personal injury and insure the parts are not damaged during the assembly.

Code	HARDWARE		QTY
1	Allen Bolt - Ø1/4x20x50mm		17 Pcs
	Lock Washer - Ø1/4		17 Pcs
	Flat Washer - Ø1/4x19x2mm		17 Pcs
2	Allen Key - 4mm		1 Pc
3	Castor: Ø50mm		4 Pcs

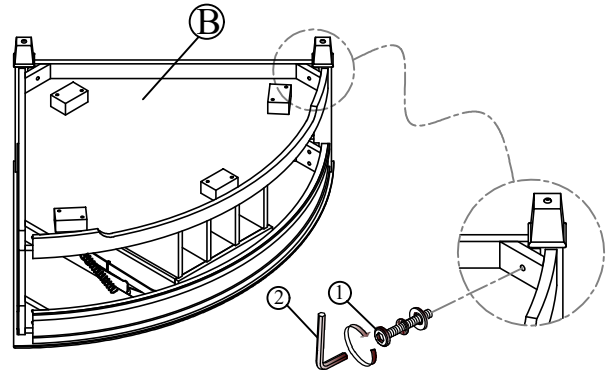
Code	PART LIST		QTY
A		Table Top	1 Pc
B		Table Bottom	1 Pc
C		Table Leg	3 Pcs
D		Board	4 Pcs

**Note:** Do not tighten all screws & bolts until the table is fully assembled.

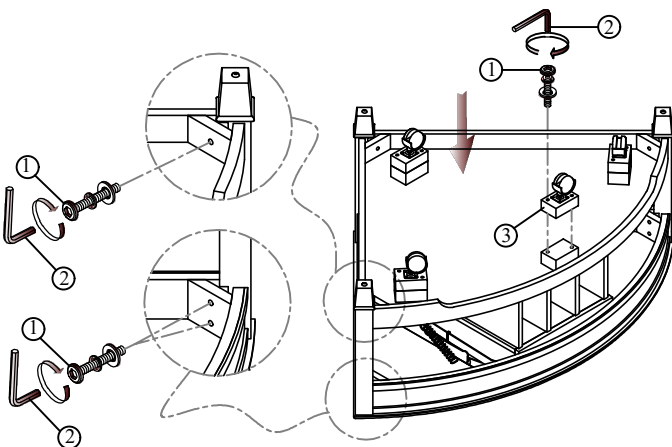
**STEP 1: Attach 2 legs and boards to the table top.**



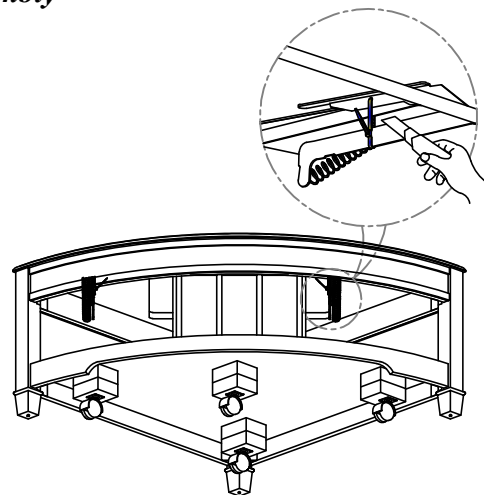
**STEP 2: Attach the table bottom.**



**STEP 3: Attach 1 leg and castors.**



**STEP 4: Cut off two strings after completing the assembly**



This product is manufactured by RQUE for

**ROOMS TO GO ▶**

**MADE IN VIETNAM**

**1 OF 1**