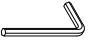






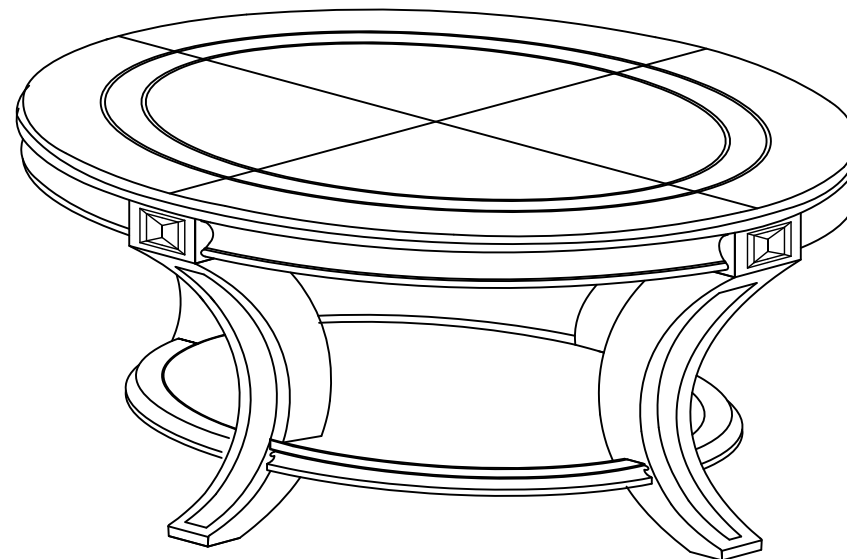


HARDWARE LIST

STEP	CODE	FIGURE	DESCRIPRIONS	Q'TY
	A		ALLEN WRENCH M4 x 74 x 29mm	1
1	B		LONG HEX BOLT Ø1/4" x 2"	8
1	C		LOCK WASHER Ø1/4"	8
1	D		FLAT WASHER Ø1/4" x 16 mm	8
2	E		SHORT HEX BOLT Ø1/4" x 5/8"	8
2	C		LOCK WASHER Ø1/4"	8
2	D		FLAT WASHER Ø1/4" x 16 mm	8
2	F		"L" METAL 25*20*20(2MM)	4

PARTS LIST

STEP	CODE	FIGURE	DESCRIPRIONS	Q'TY
1	1		TOP PANEL	1
2	2		BOTTOM PANEL	1
3	3		LEGS	4

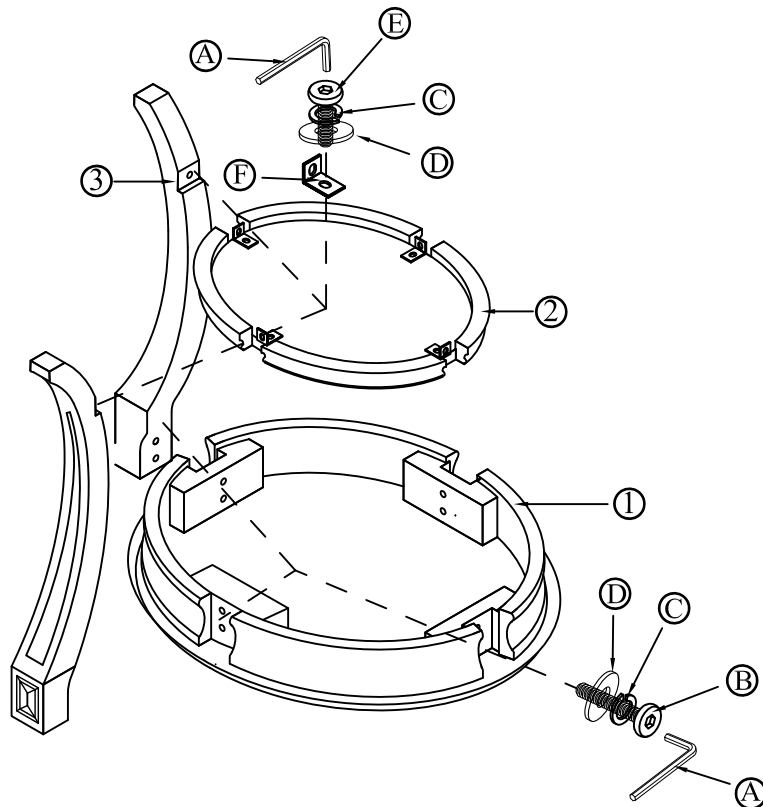


Hardware Pack Location(s):

8345-47 COCKTAIL TABLE, SKU#22183456

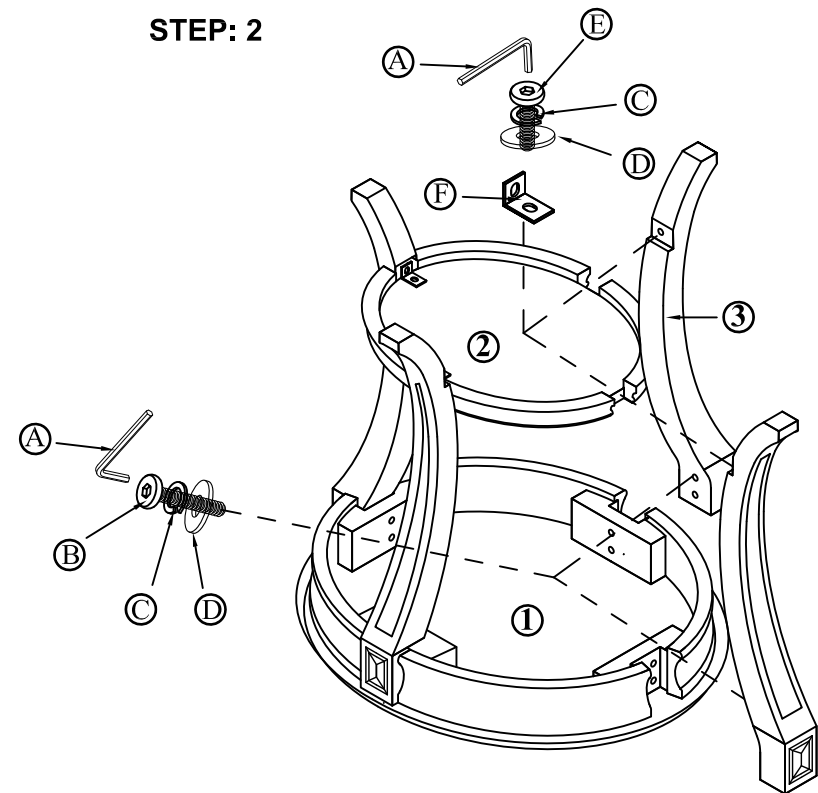
***Caution : Please read all instructions carefully before starting the assembly process. These parts are cumbersome and heavy. Therefore, two people are recommended in order to prevent personal injury and ensure the parts are not damaged during the assembly.

STEP: 1



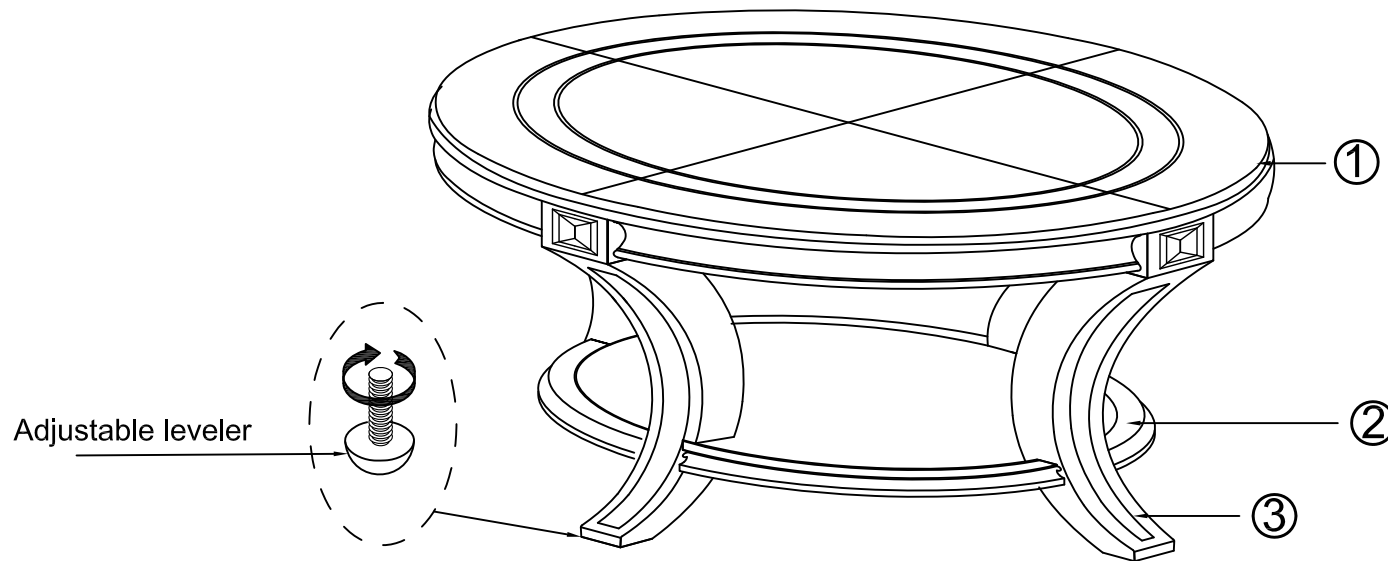
Place the table upside down on a soft, flat surface.
Attach the legs frame to the stretchers, using "C" washers (C),
lock washers (D), long hex bolt (B) and allen wrench (A)
Do not fully tighten the bolts to allow shelf assembly.

STEP: 2



Attach the shelf to the legs frame, using flat washers (F),
lock washers (G), shorts hex bolt (E) and allen wrench (A)
Fully tighten all the bolts.
Assemble L-bracket pre-assembled
with shelf to the legs with screw (H)

STEP: 3



Assembly is completed.

Place the table upright. Cover the holes on top of the legs frame with plastic vacuums (1) as shown in the illustration. Place the glass top on the table after the assembly is completed.

Hardware Pack Location(s):

8345-47 COCKTAIL TABLE, SKU#22183456