







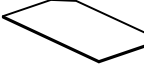


Assembly Instruction

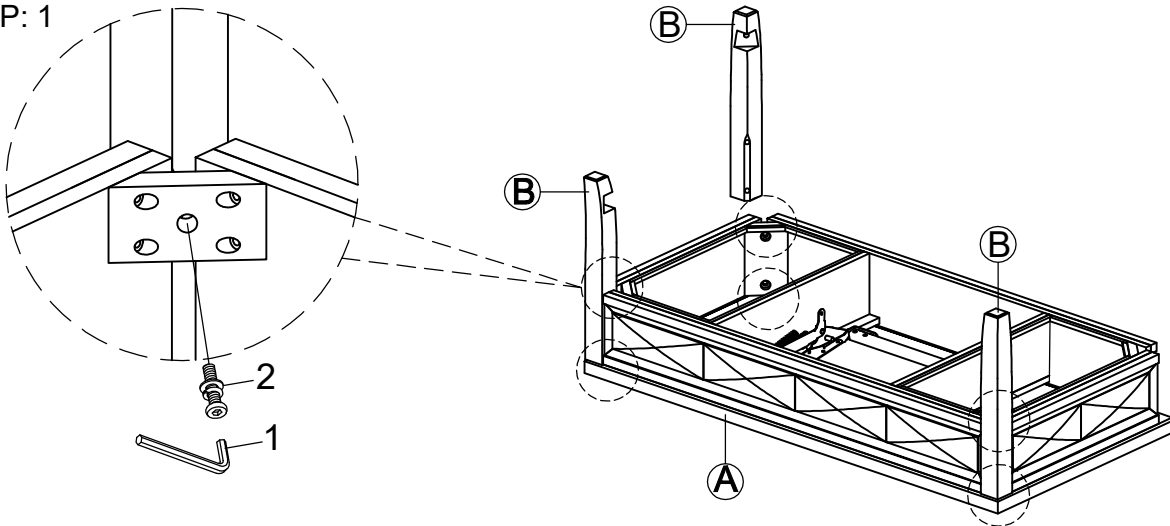
USIL 9222-30 CKTL TBL WLIFT TABLE SKU#22192227

*****Caution: Please read all instructions carefully before starting the assembly process. These parts are cumbersome and heavy. Therefore, two people are recommended in order to prevent personal injury and ensure the parts are not damaged during the assembly.**

Code	Hardware		Q'TY
1	Allen Wrench 4 x 74 x 29mm		1PC
2	Bolt 5/16" x 18 x 2-3/4"		12pcs
	Spring Washer 5/16" x Ø11 x 2mmT		
	Flat Washer 5/16" x Ø19 x 2mmT		
3	Caster		4pcs
4	Screw M4*25MM		16pcs
5	Plastic Cap		8pcs

(A) Top-1pc	
(B) Leg-4pcs	
(C) Shelf-1pc	
(D) Shelf-2pcs	

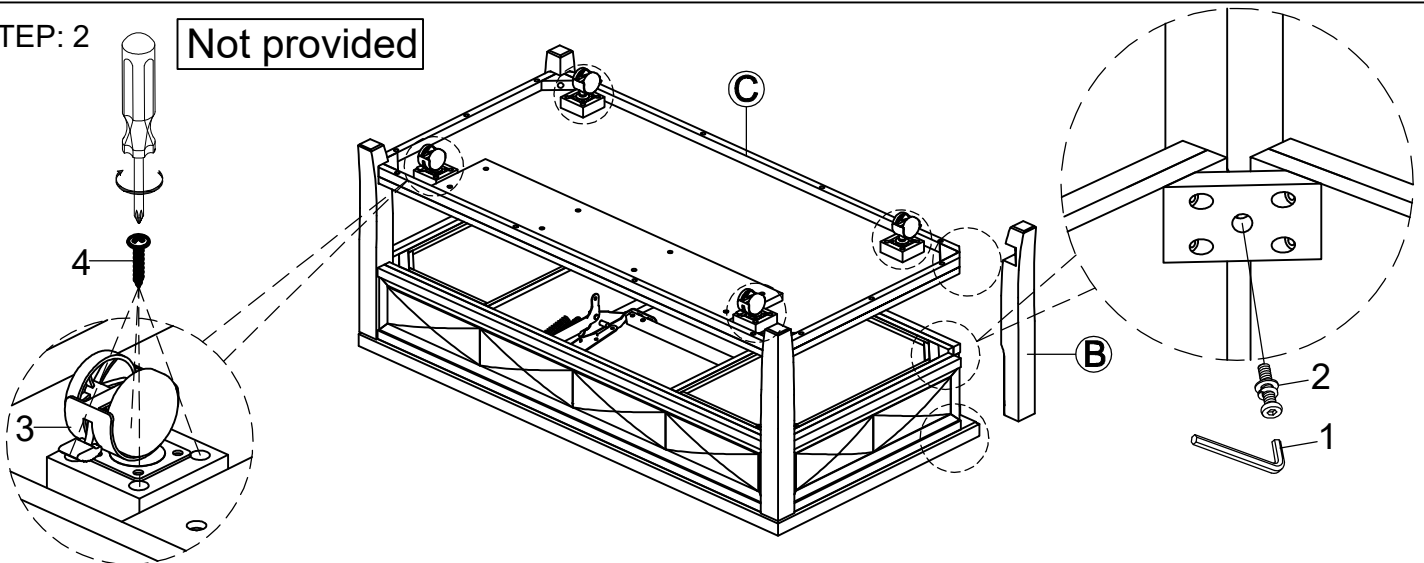
STEP: 1



Caution : First step do not tighten the bolts, after turn up all the tables & put it on a flat surface, then can tighten all bolts by using Allen Key.

STEP: 2

Not provided



This product is manufactured by USIL for

ROOMS TO GO ▶

MADE IN VIETNAM

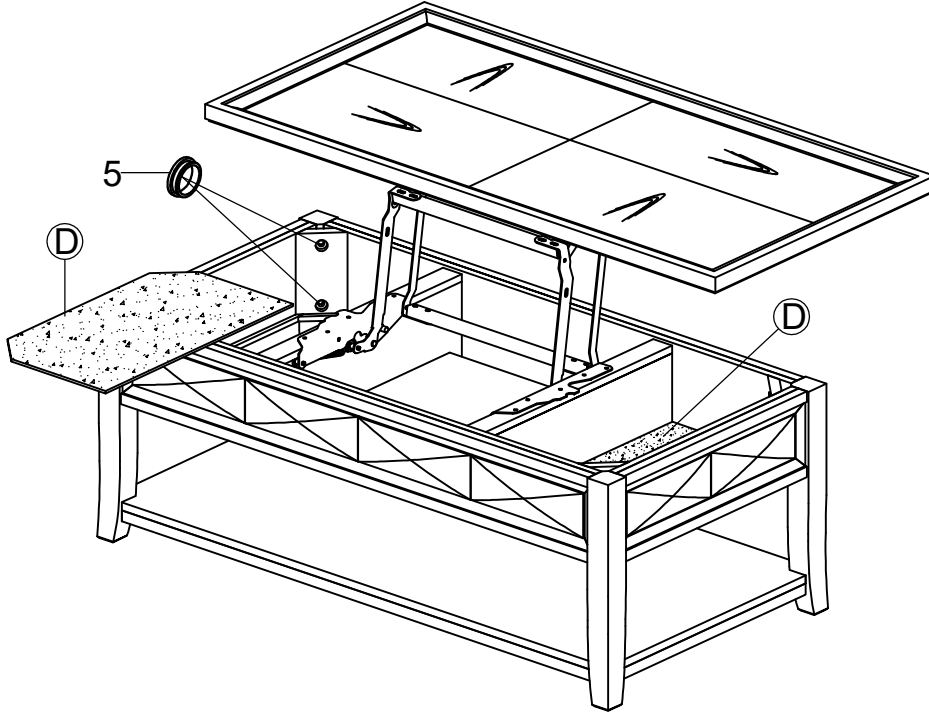
1 OF 2

Assembly Instruction

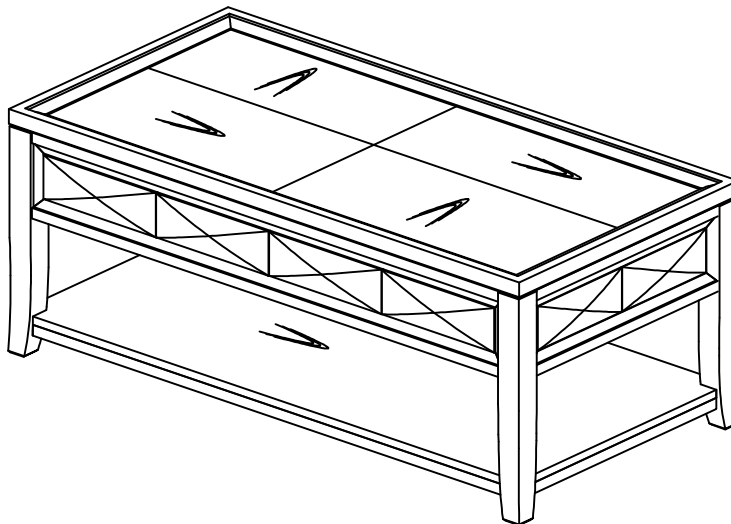
USIL 9222-30 CKTL TBL WLIFT TABLE SKU#22192227

***Caution: Please read all instructions carefully before starting the assembly process. These parts are cumbersome and heavy. Therefore, two people are recommended in order to prevent personal injury and ensure the parts are not damaged during the assembly.

STEP: 3



STEP: 4



This product is manufactured by USIL for

ROOMS TO GO ►

MADE IN VIETNAM

2 OF 2