



ASSEMBLY INSTRUCTIONS






RQUE 9852C - COCKTAIL TABLE






SKU: 22199522 22198522

Thank you for purchasing this product. Be sure to check all packing material carefully for small parts which may have come loose inside the carton during shipment. Identify and count all parts and compare with the **HARDWARE LIST** below.

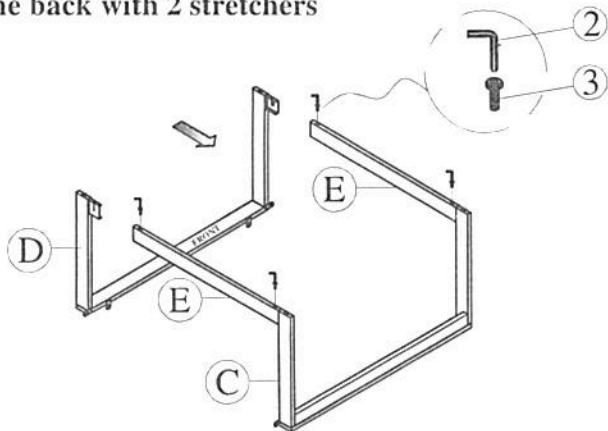
Caution: Please read all instructions carefully before starting the assembly process. These parts are cumbersome and heavy. Therefore, two people are recommended in order to prevent personal injury and insure the parts are not damaged during the assembly.

1. We recommend that you assemble this product with the assistance of the another person; this will make assembly easier, and will help to eliminate to the product of injury to persons during assembly.
2. Please do not over tighten screws or bolts until the assembly is completed.
3. Please put all parts on a non-abrasive floor before assembly, and follow the assembly steps to assemble your newly purchased product correctly and efficiently.

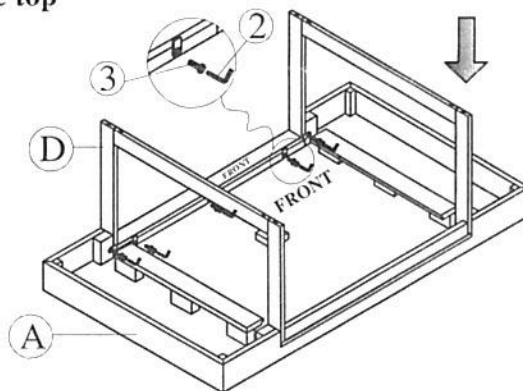
NO.	PART LIST	QTY
A	 TABLE TOP	1 PC
B	 DRAWER	1 PC
C	 LEG FRAME BACK	1 PC
D	 LEG FRAME FRONT	1 PC
E	 STRETCHERS	2 PCS

NO.	PART LIST	QTY
1	 Bolt: Ø1/4x60	1 PC
	 Flat Washer: Ø6 x 19 x 2	1 PC
	 Spring Washer: Ø6 x 12 x 1	1 PC
2	 Allen Key: M4	1 PC
3	 Bolt: Ø1/4 x 15mm	14 PCS

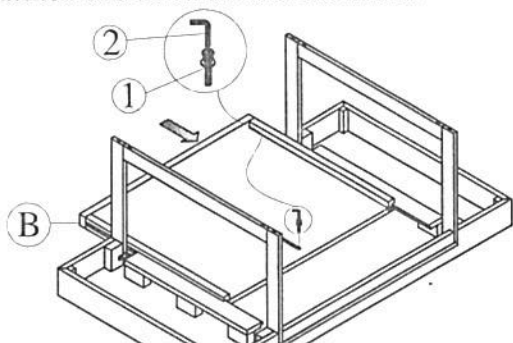
STEP 1: Assemble the leg frame front, leg frame back with 2 stretchers



STEP 2: Attach the legs frame to the table top.
Note: Attach the leg frame front same side with the table top



STEP 3: Attach the drawer into the table.



FINISHED

