

# Assembly Instructions

VICE





N208-4 Cocktail Table

SKU





22212081

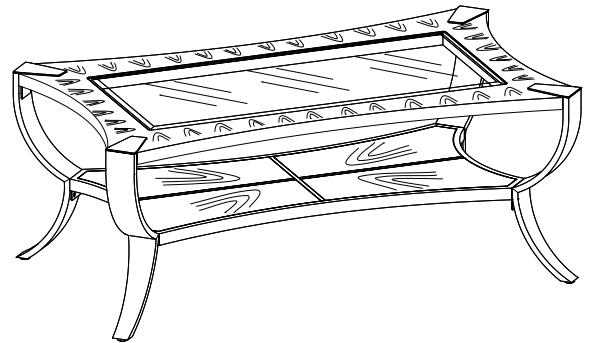
This product is manufactured by (VICE) for **ROOMS TO GO** 

## Hardware List

| NO. |   | DESCRIPTION                | Q'TY |
|-----|---|----------------------------|------|
| 1   |  | Ø1/4"x20x3/4" L Allen Bolt | 8PCS |
|     |   | Ø16xØ8.5x1.5 Flat Washer   |      |
| 2   |  | Ø1/4"x20x5/8" L Allen Bolt | 8PCS |
| 3   |  | Ø6x3H Suction Cup          | 4PCS |
| 4   |  | Allen Wrench(4mm)          | 1PC  |

## Part List

| NO. | DESCRIPTION    | SKETCH  | Q' TY |
|-----|----------------|---|-------|
| A   | Top Wood Frame |  | 1PC   |
| B   | Shelf          |  | 1PC   |
| C   | Leg            |  | 4PCS  |
| D   | Glass          |  | 1PC   |



Hardware Pack Location(s):

N208-4 Cocktail Table,SKU# 22212081

# Assembly Instructions

VICE

N208-4 Cocktail Table

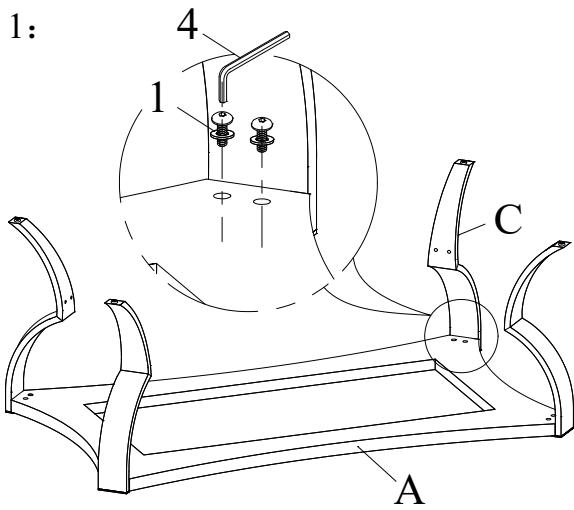
SKU

22212081

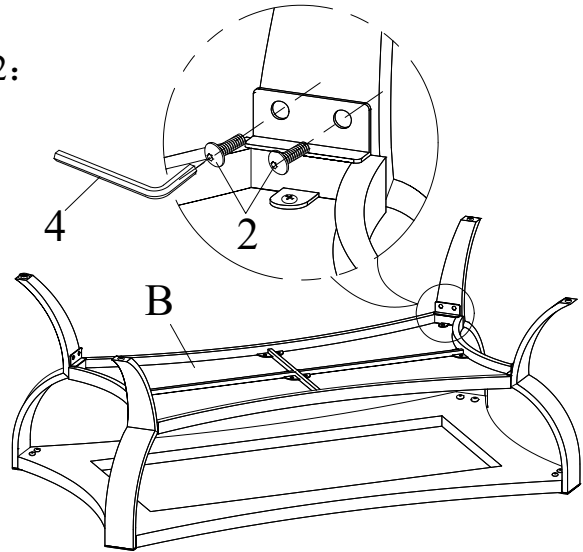
This product is manufactured by (VICE) for **ROOMS TO GO** 

- Step 1: Attach Leg (C) to the Top Wood Frame (A) using Allen Wrench (4), Allen Bolt (1) ;
- Step 2: Attach Shelf (B) to the Leg (C) using Allen Wrench (4), Allen Bolt (2) ;
- Step 3: Place Suction Cup (3) on the four corners of Top Wood Frame (A); Then Place the Glass (D) on it.
- Step 4: This unit is ready to use.

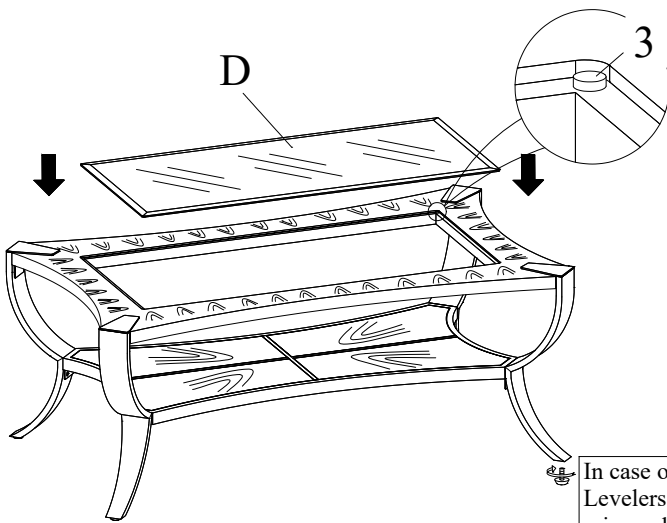
Step 1:



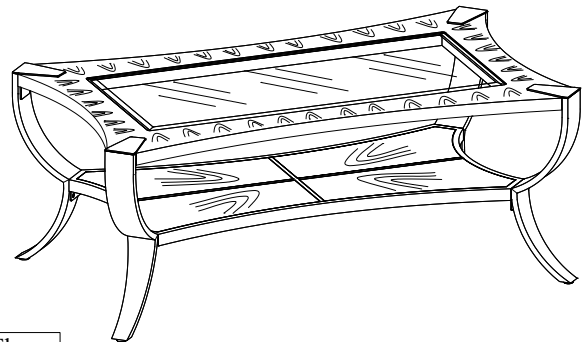
Step 2:



Step 3:



Step 4:



In case of uneven floor, Floor Levelers are provided. Simply raise or lower floor leveler by hand to correct tilting

Hardware Pack Location(s):

N208-4 Cocktail Table, SKU# 22212081