


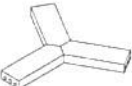






# Assembly Instructions

YUYU 4454-3 24" COCKTAIL

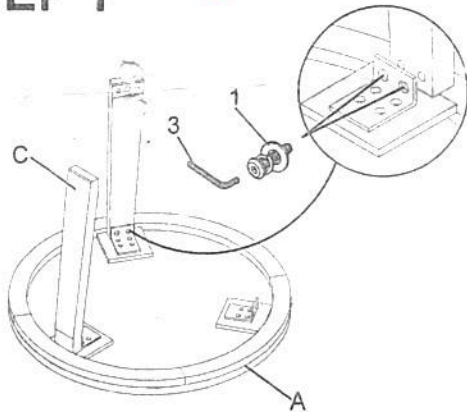
SKU #: 22244545

Thank you for purchasing this quality product. Be sure to check all packing materials carefully for small parts, which may have come loose inside the carton during shipment. Identify and count all parts and compare with the **HARDWARE LIST** below.

NO.	PARTS LIST		Q' TY
A		Table Top	1
B		Table Bottom	1
C		Table Legs	3

NO.	Hardware List		Q' TY
1		Ø 1/4" * 20 * 1" Bolt	6
		Ø 1/4" Spring washer	6
		Ø 1/4" * 19mm Flat washer	6
2		Ø 5/16" * 18 * 1-1/2" Bolt	3
		Ø 5/16" Spring washer	3
		Ø 5/16" * 19mm Flat washer	3
3		Allen Wrench (4mm)	1
4		Wood Dowel	6

## STEP 1

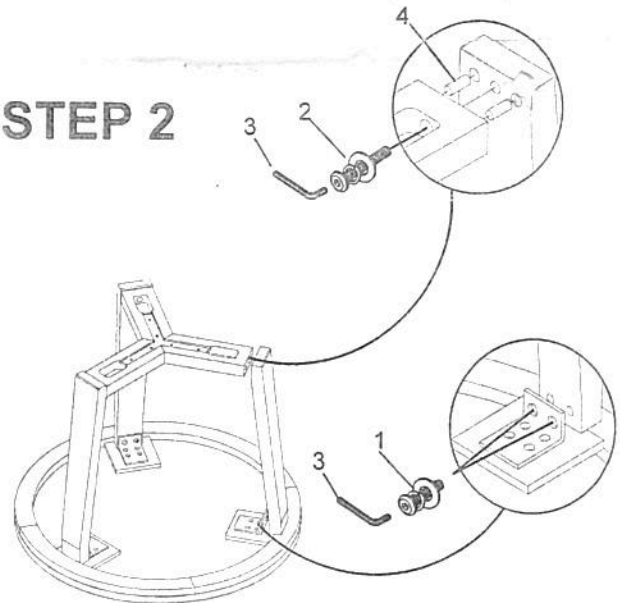


1. Put the table top face down on a smooth soft surface to prevent damage. Only attach 2 Table legs to the back of the table top by using flat washer, spring washer, bolt(1) and allen wrench(3).

## COMPLETE



## STEP 2



2. Attach Table bottom to the leg by using bolt, flat washer, spring washer(2) and allen wrench(3). Then attach the third leg to the back of the table top by using bolt, flat washer, spring washer(1) and allen wrench(3). Last, assemble the third leg to table bottom by using bolt, flat washer, spring washer(2) and allen wrench(3).