

ROOMS TO GO



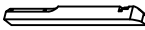
Manufactured for Rooms to Go.




Assembly Instructions

AUGR RTG1007-97 END TABLE
 AUGR RTG1008-97 END TABLE

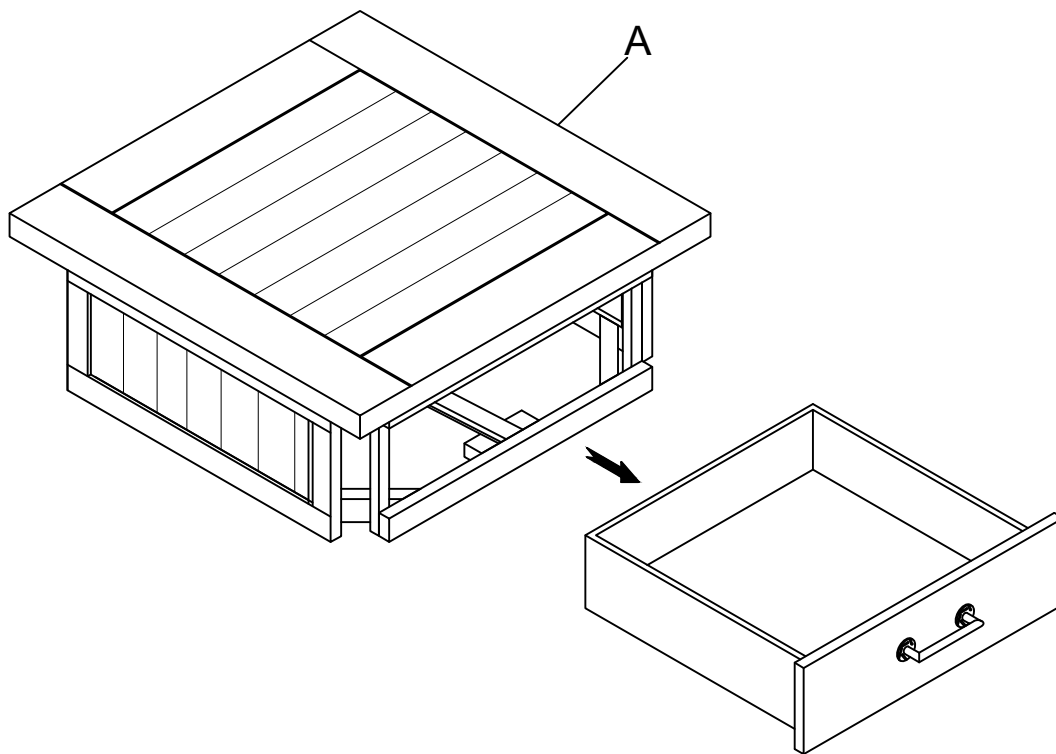
SKU# 23000728
 SKU# 23000817

***** Caution: Please read all instructions carefully before starting the assembly process. These parts are cumbersome and heavy. Therefore, two people are recommended in order to prevent personal injury and ensure the parts are not damaged during the assembly**

CODE	PARTS LIST		
A	End Table		1pc
B	Shelf		1pc
C	Leg		4pcs

CODE	HARDWARE LIST		
1		Bolt 5/16"*2-1/2"	12PCS
		Spring Washer 5/16"	12PCS
		Flat Washer 5/16"	12PCS
2		Allen Key 1-1/2"	1PC
TOOLS REQUIRED (NOT PROVIDED)			
Phillips Screwdriver 			

Step 1



Hardware Pack Location(s):

AUGR RTG1007-97 END TABLE SKU# 23000728
 AUGR RTG1008-97 END TABLE SKU# 23000817

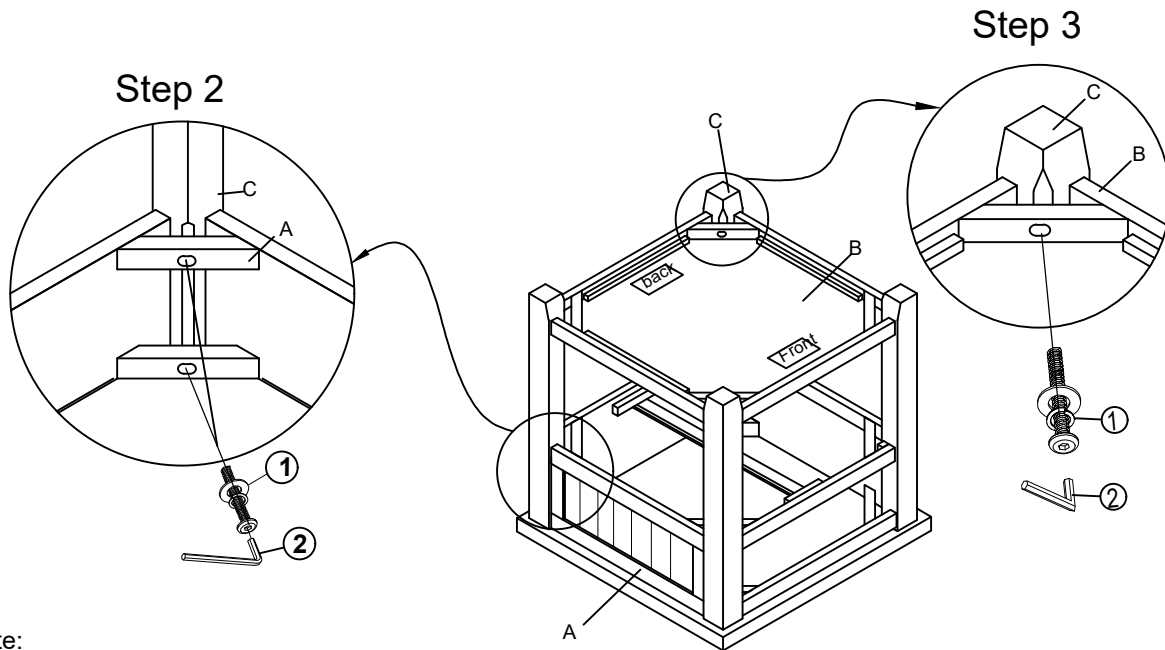
ROOMS TO GO

Manufactured for Rooms to Go.

Assembly Instructions

AUGR RTG1007-97 END TABLE
AUGR RTG1008-97 END TABLE

SKU# 23000728
SKU# 23000817



Note:
Please keep all legs loose during assembly
and tighten once all legs are in place.

COMPLETE

