

**ROOMS
TO GO**

ASSEMBLY INSTRUCTION

SSIC EC100E Erica White Marble Top End Table

SKU# 23010123





Thank you for purchasing our product, please study the diagram and inventory all parts before assembling.
Important Note:

Follow instructions listed below in the proper sequence to assure fast, easy and correct assembly.
Do not completely tighten until the item has been fully assembled.

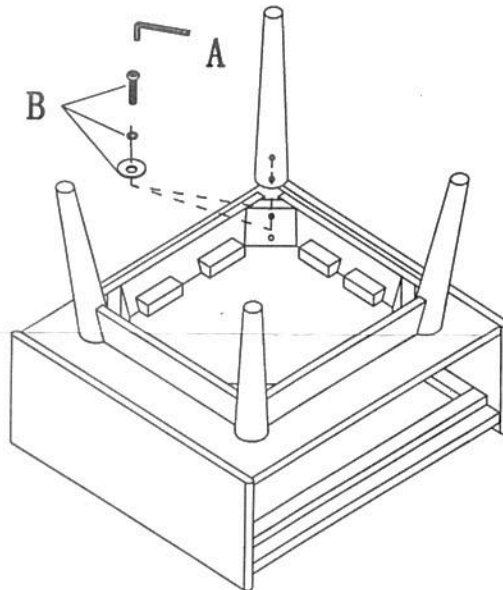
1. Upon opening thoroughly clean all wood surfaces with a clean soft cloth and furniture polish to remove dust and dirt that may have settled during shipment.

PARTS TABLE

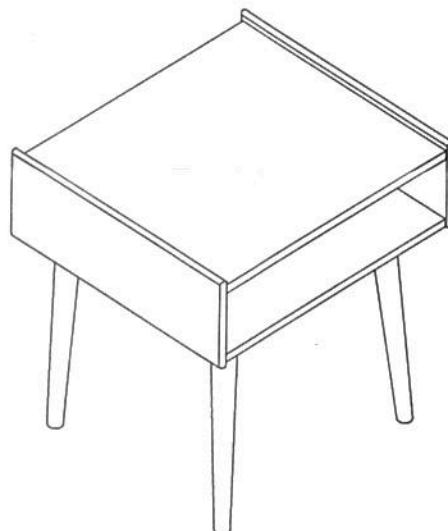
HARDWARE LIST

①	TOP 	1 PC	②	LEG 	4 PCS	A		ALLEN WRENCH (ø1/4)	1PC	B		Bolt: ø1/4*2" 36 threads per inch Lock washer: ø1/4" Washer: ø1/4*19mm	8PCS
---	--	------	---	--	-------	---	---	------------------------	-----	---	---	---	------

Step 1



Step 2



MADE IN CHINA