

# Assembly Instructions





YUYU T102-2A END TABLE

SKU #:23011226

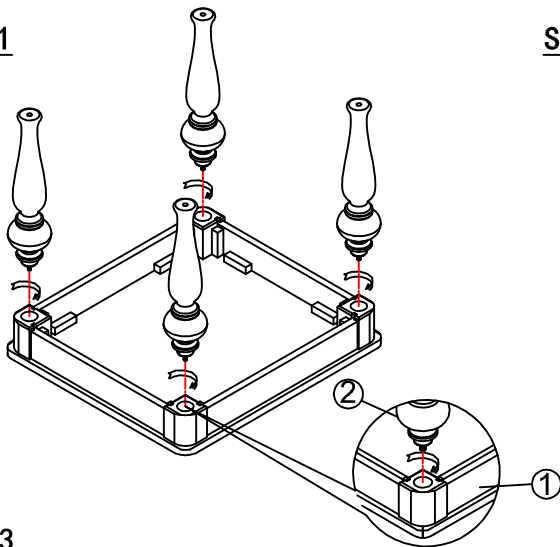
Thank you for purchasing this quality product. Be sure to check all packing materials carefully for small parts, which may have come loose inside the carton during shipment. Identify and count all parts and compare with the **HARDWARE LIST** below.

**Caution:** Please read instructions thoroughly before unpacking assembly parts.

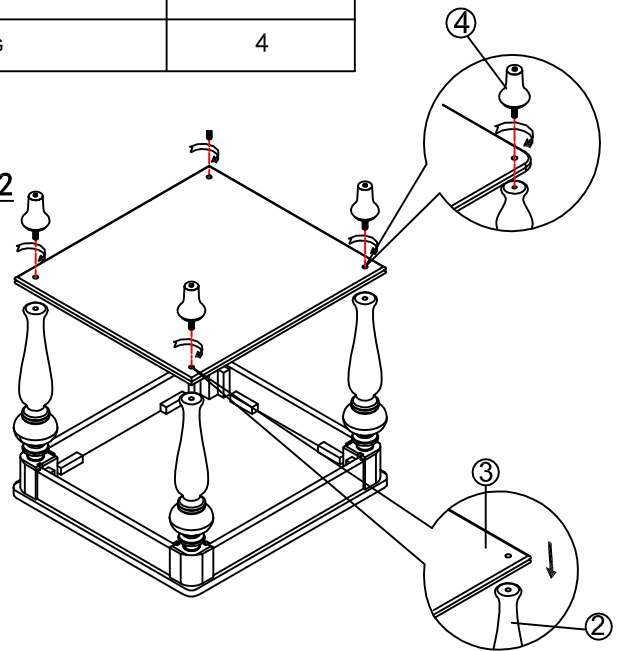
1. We recommend that you assemble this product with the assistance of the another person; this will make assembly easier, and will help to eliminate damage to the product or injury to persons during assembly.
2. Please do not over tighten screws or bolts until the assembly is completed.
3. Please put all parts on a non-abrasive floor before assembly, and follow the assembly steps to assembly your newly purchased product correctly and efficiently.

NO.	PARTS LIST		Q' TY
1		TABLE TOP	1
2		LONG LEG	4
3		SHELF	1
4		SHORT LEG	4

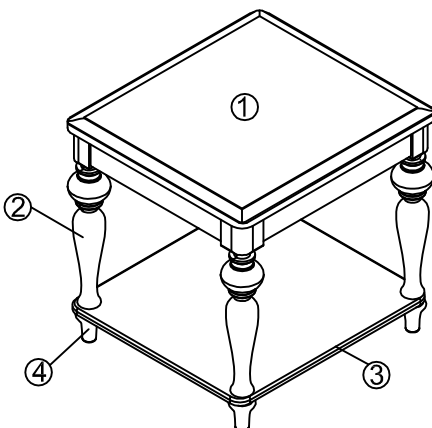
**STEP 1**



**STEP 2**



**STEP 3**



**COMPLETE**

