
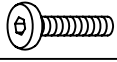
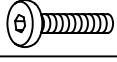

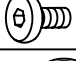

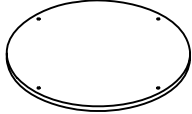
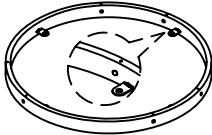
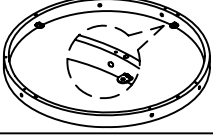
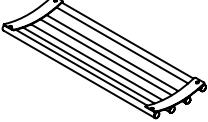
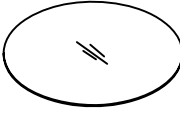
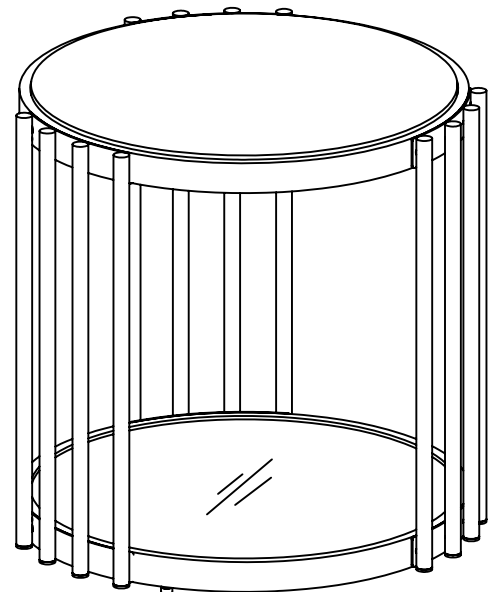


Step	Code	Hardware	QTY
	A	Allen Key 4mm 	1 Pc
1	B	Bolt 1/4" x 20 x 1-1/8" 	6 Pcs
2	B	Bolt 1/4" x 20 x 1-1/8" 	6 Pcs
3	C	Leveler 	4 Pcs
4	D	Bolt 1/4" x 20 x 1/2" 	4 Pcs
5	E	Sucker 	4 Pcs

Parts List

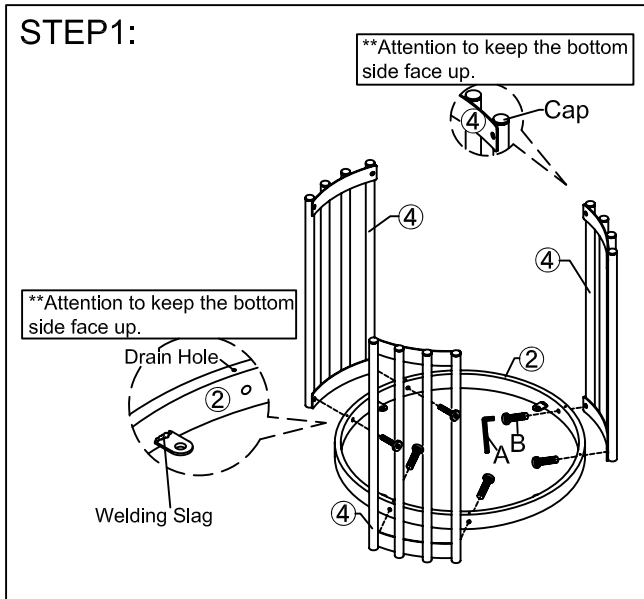
NO	Description	Sketch	QTY
①	Table Top		1 Pc
②	Top Frame		1 Pc
③	Bottom Frame		1 Pc
④	Side Frame		3 Pcs
⑤	Glass		1 Pc



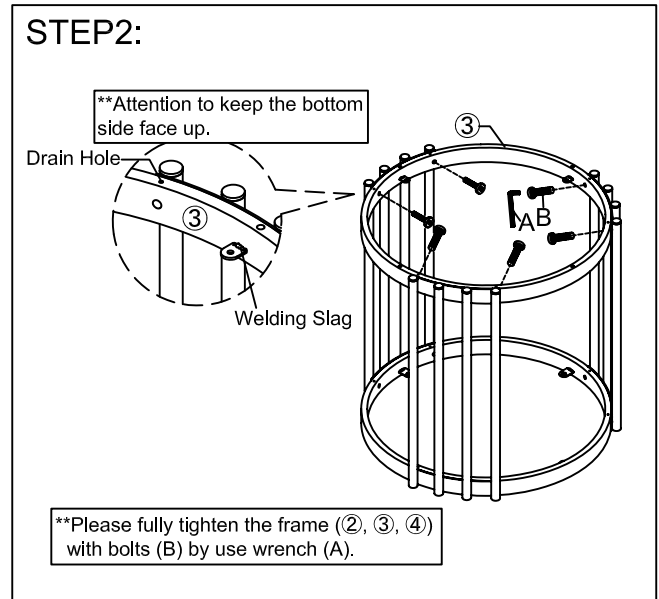
Hardware Pack Location(s):

END TABLE, SKU# 23013991

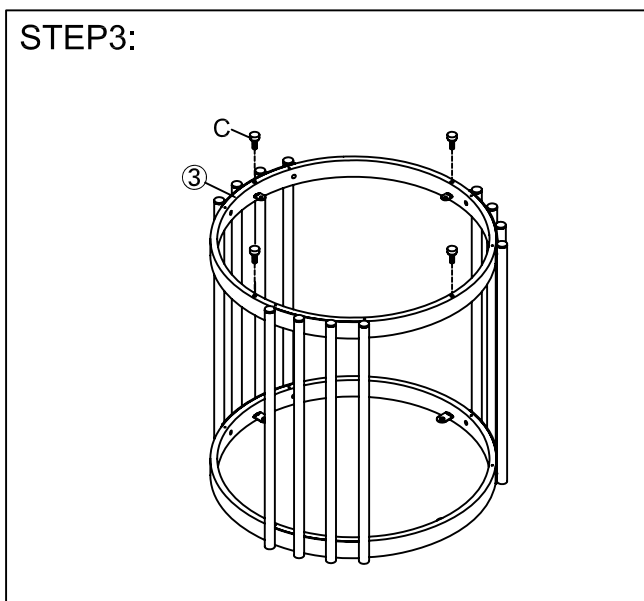
*****Caution:** Please read all instructions carefully before starting the assembly process. These parts are cumbersome and heavy. Therefore, two people are recommended in order to prevent personal injury and insure the parts are not damaged during the assembly.



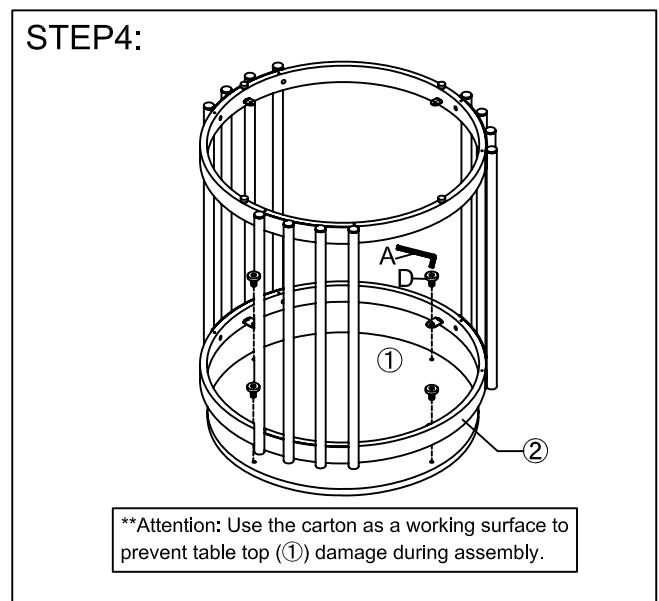
Assembly side frames (④) to the top frame (②) with bolts (B) by use of Allen key (A).



Assembly bottom frame (③) to side frames (④) with bolts (B) by use of Allen key (A).



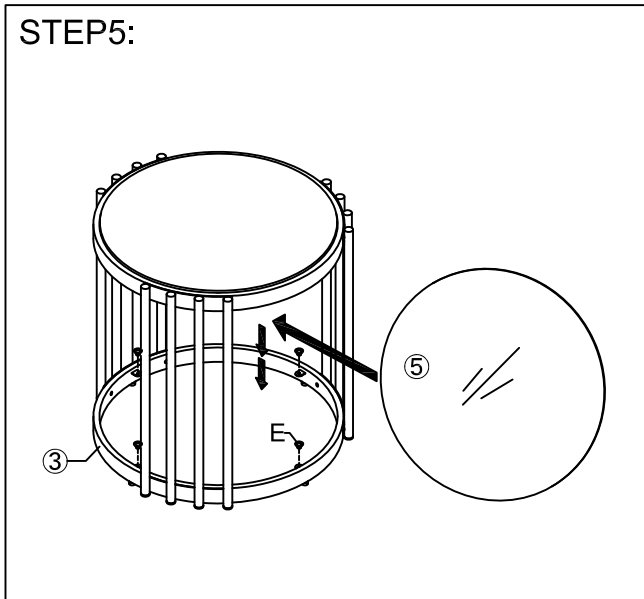
Screw the levelers (C) into the threaded holes on bottom frame (③).



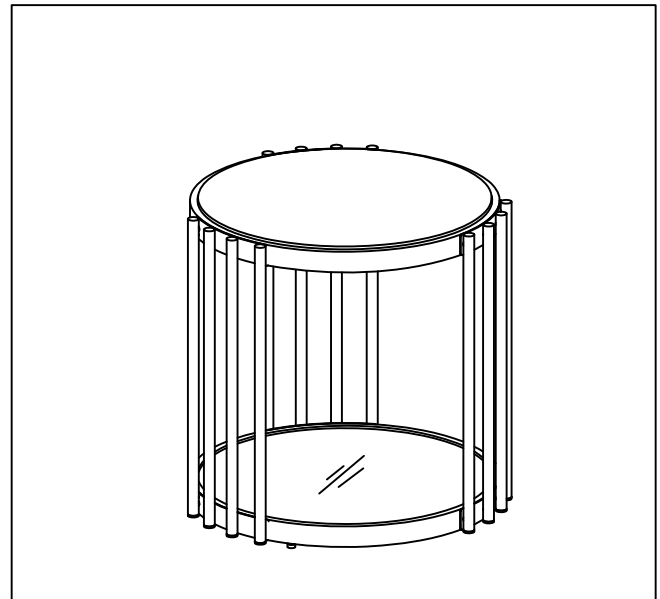
Assembly top frame (②) to table top (①) with bolts (D) by use of Allen key (A).

***Caution: Please read all instructions carefully before starting the assembly process. These parts are cumbersome and heavy. Therefore, two people are recommended in order to prevent personal injury and insure the parts are not damaged during the assembly.

STEP5:



Insert suckers (E) onto bottom frame (3), then, place the glass (5) onto the assembled table.



Assembly finish.