

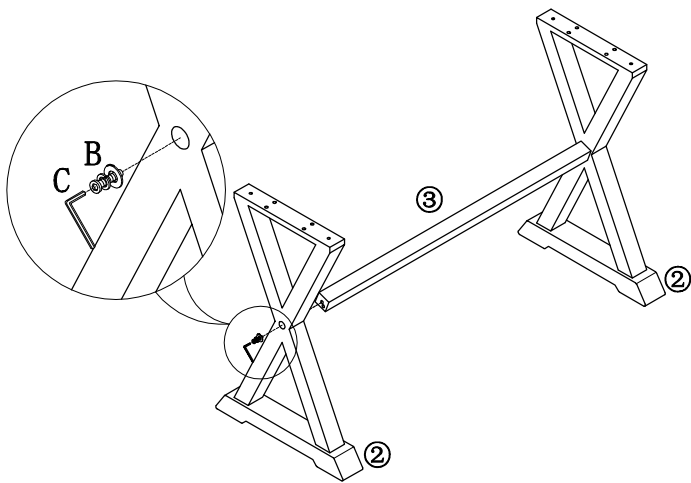


ASSEMBLY INSTRUCTION

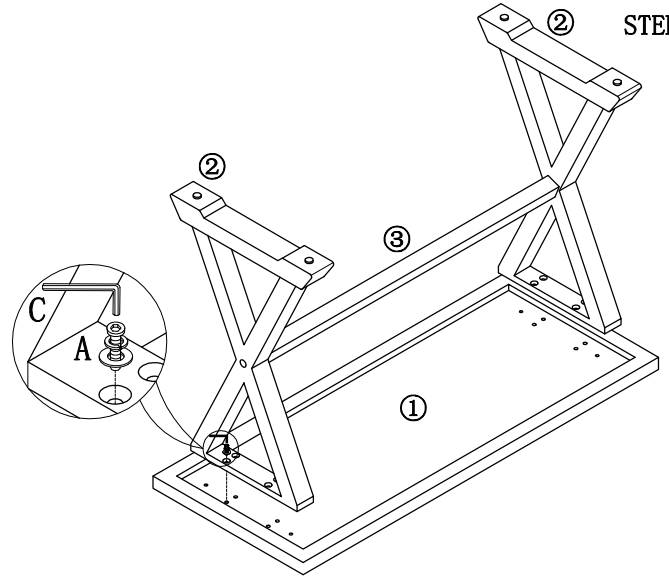
SPOL 1535-01/04/05 Cocktail Table 2 tone (finish wire B)
 /End Table 2 tone(finish wire B)
 /Sofa Table 2 tone(finish wire B)
 SKU# 22115352/223015351/23815357

Thank you for purchasing this quality product. Be sure to check all packing material carefully for small parts which may have come loose inside the carton during shipment. Identify and count all parts and compare with the Parts list below:

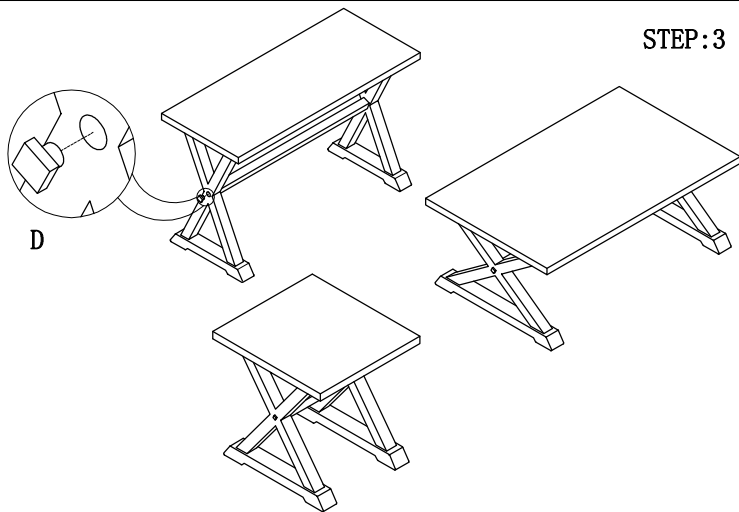
STEP:1



STEP:2



STEP:3



PART LIST

①	Top panel		1PC	③	RAIL		1PC
②	X SHAPE LEG		2PCS				

HARDWARE LIST

A		bolt:ø5/16"*1-1/4" 20 threads per inch Lock washer:ø5/16" washer:ø5/16"*19MM	8PCS	D	WOOD PLUG		2P
B		bolt:ø5/16"*2-1/4" 40 threads per inch Lock washer:ø5/16" washer:ø5/16"*19MM	2PCS				
C		ALLEN WRENCH (ø5/16)	1PC				

ASSEMBLY INSTRUCTION

DO NOT COMPLETELY TIGHTEN UNTIL ALL ITEMES HAVE BEEN FULLY ASSEMBLED

- 1)Assembly ② to ③ with B and C.
- 2)Assembly ② to ① with A and C.
- 3)Attach D to ②.

MADE IN CHINA