

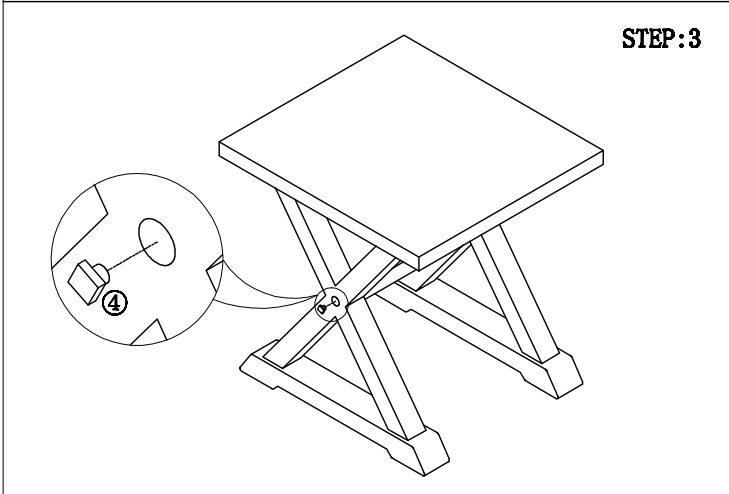
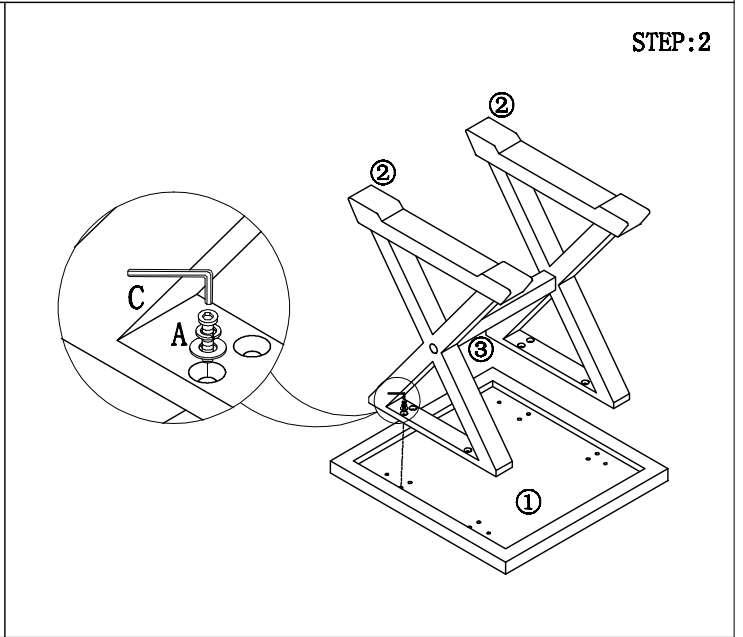
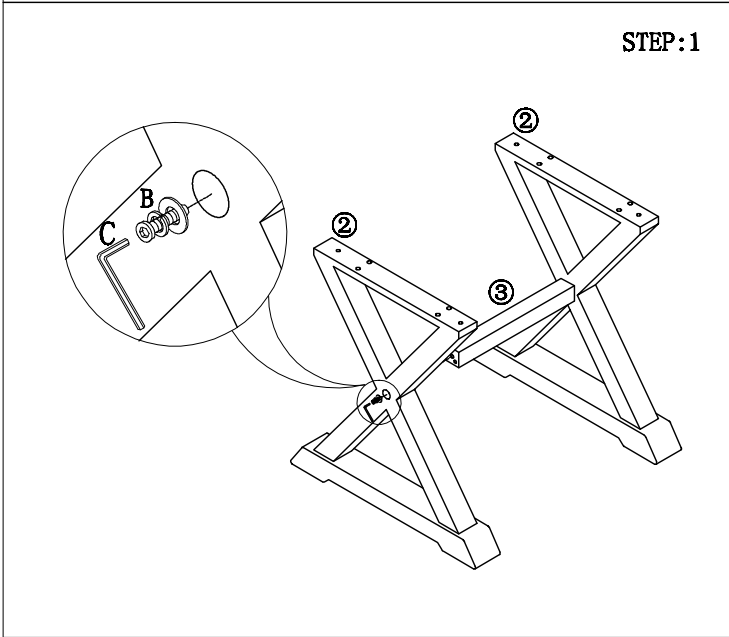


ASSEMBLY INSTRUCTION

SPOL 159934-04 End Table

SKU# 23015995

Thank you for purchasing this quality product. Be sure to check all packing material carefully for small parts which may have come loose inside the carton during shipment. Identify and count all parts and compare with the Parts list below:



PART LIST							
①	Top panel		1PC	③	RAIL		1PC
②	X SHAPE LEG		2PCS	④	WOOD PLAUG		2PCS
HARDWARE LIST							
A		bolt: $\varnothing 5/16"$ * 1-1/4" 20 threads per inch Lock washer: $\varnothing 5/16"$ washer: $\varnothing 5/16"$ * 19MM	8PCS	D		ALLEN WRENCH ($\varnothing 5/16$)	1PC
B		bolt: $\varnothing 5/16"$ * 2-1/4" 40 threads per inch Lock washer: $\varnothing 5/16"$ washer: $\varnothing 5/16"$ * 19MM	2PCS				
C		ALLEN WRENCH ($\varnothing 1/4$)	1PC				

ASSEMBLY INSTRUCTION

DO NOT COMPLETELY TIGHTEN UNTIL ALL ITEMS HAVE BEEN FULLY ASSEMBLED

- 1) Assembly ② to ③ with B and D.
- 2) Assembly ② to ① with A and C.
- 3) Attach ④ to ②.

MADE IN CHINA