
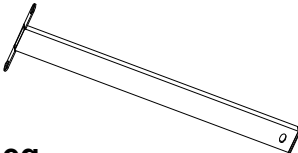
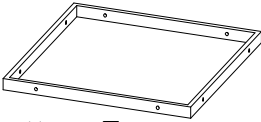
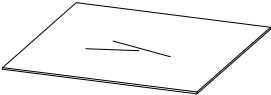


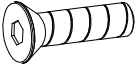

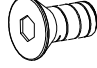

## HMNF

Thank you for your purchase. Before discarding packaging material be sure you have located all the parts including the necessary hardware and tools listed on the instruction sheet below.

### Parts List

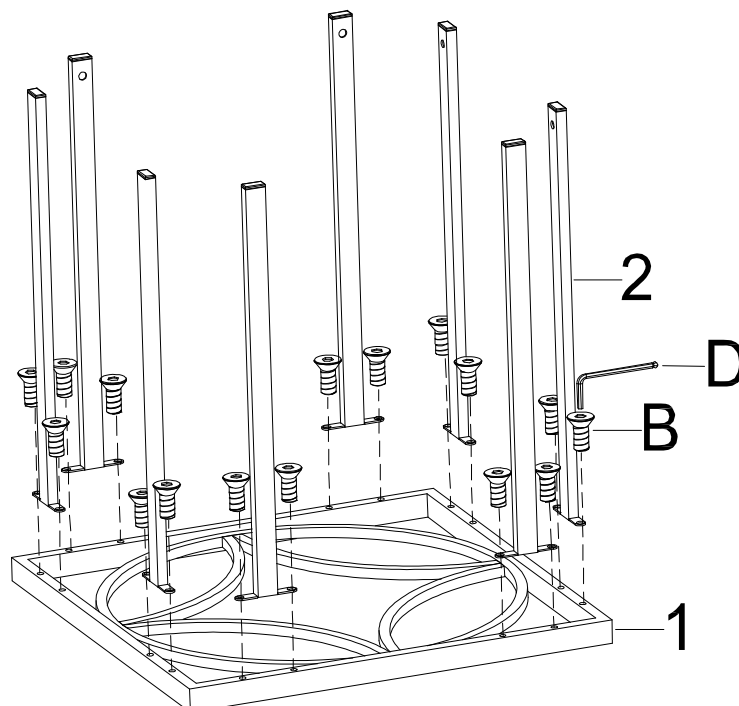
<p># 1 1pc</p>  <p>Metal Top Frame</p>	<p># 2 8pcs</p>  <p>Metal Leg</p>	<p># 3 1pc</p>  <p>Metal Bottom Frame</p>
<p># 4 1pc</p>  <p>Glass Top</p>		

### Hardware List

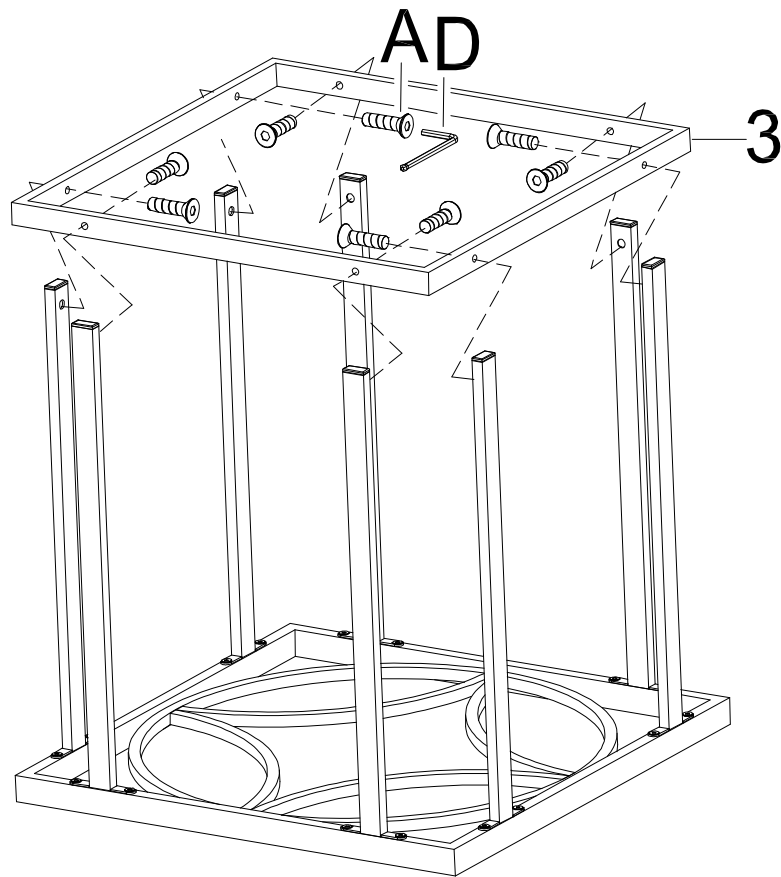
No	Figure	Description	QTY	No	Figure	Description	QTY
A		Tapered Bolt 1/4" x 20 x 7/8"	8	C		10mm Ø Glass Tips	4
B		Tapered Bolt 1/4" x 20 x 1/2"	16	D		4mm Hex Allen Wrench	1

Please do not tighten any bolt firmly before you put all of them in place.

Step 1) Put all parts on a soft surface to prevent scratches. Attach metal legs (#2) to metal top frame (#1) by using bolt (B) as shown.



**Step 2) Attach metal bottom frame (#3) to metal legs (#2) by using bolt (A) as shown then tighten all bolts firmly.**



**Step 3) Turn the table upside down, put glass tips (C) onto metal top frame (#1) then put glass top (#4) on frame as shown carefully. Your perfect table is completed.**

