
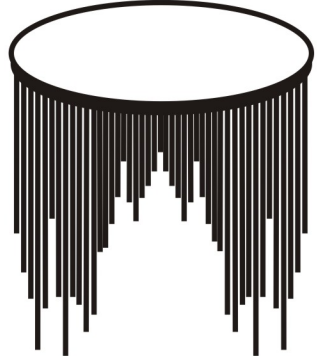
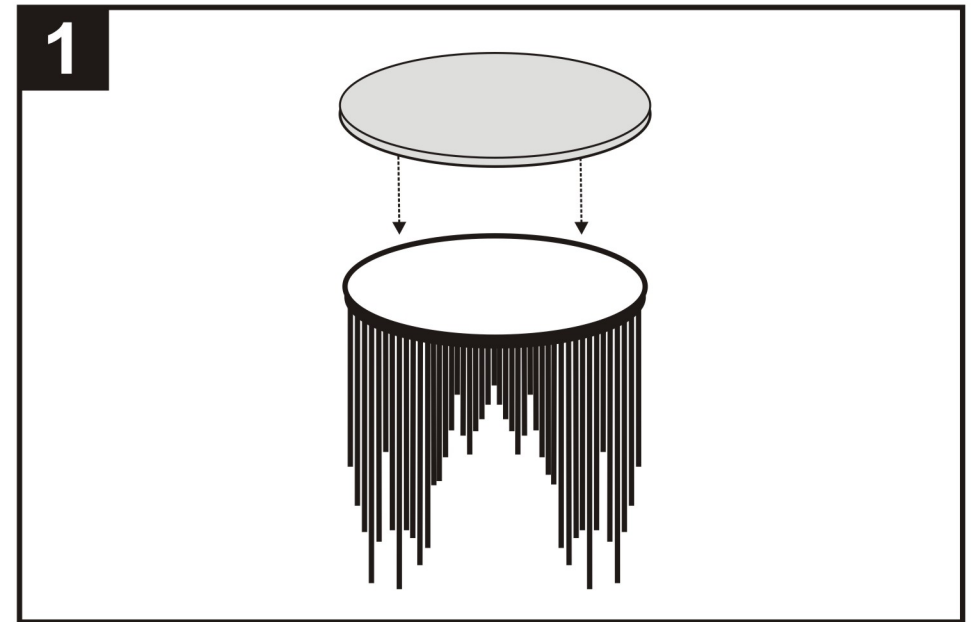


Part List and Hardware List

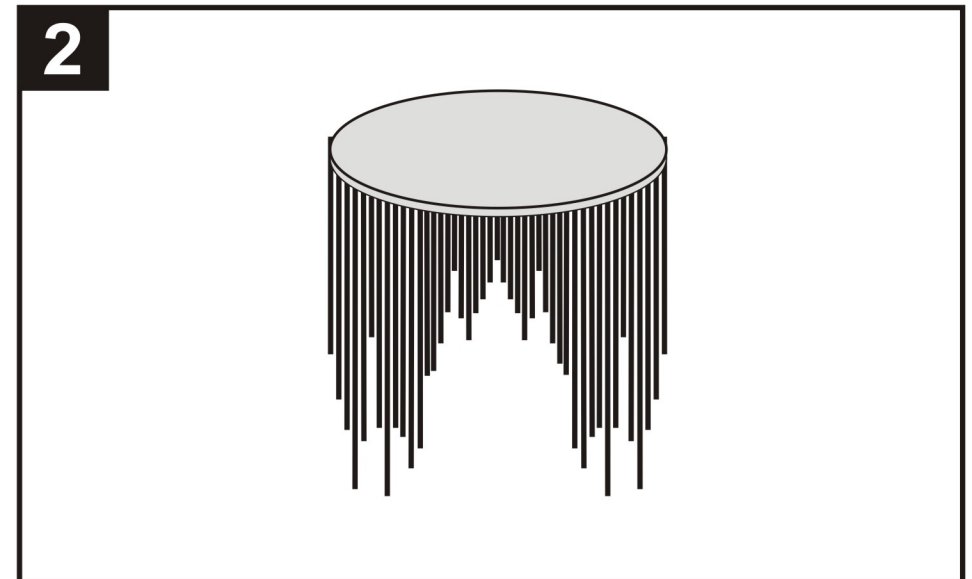
PART	DESCRIPTION	PICTURE	QUANTITY
A	MARBLE TABLE TOP		1X
B	TABLE BASE		1X

PREPARATION

Before beginning assembly of product, make sure all parts are present. Compare parts with package contents list and hardware contents list. If any part is missing or damaged, do not attempt to assemble the product. Estimated Assembly Time: 5 minutes.



Step 1 : Insert Marble Table Top (A) on Table Base (B)



Step 2 : Table is ready for use.

CARE AND MAINTENANCE

1. Do not use acids or alkaline cleaning agents.
2. Sharp objects will damage and scratch the surface.
3. Wipe the surface with a soft, damp cloth.
4. Please make sure that you have all parts indicated before you begin assembly of this item
5. This item should be assembled on a soft surface to prevent scratching the finish during assembly
6. This item may require periodic tightening

Waterfall Side Table

TOV-OC18200

TOV

Waterfall Side Table

ASSEMBLY INSTRUCTIONS

