





Assembly Instructions




SPOL

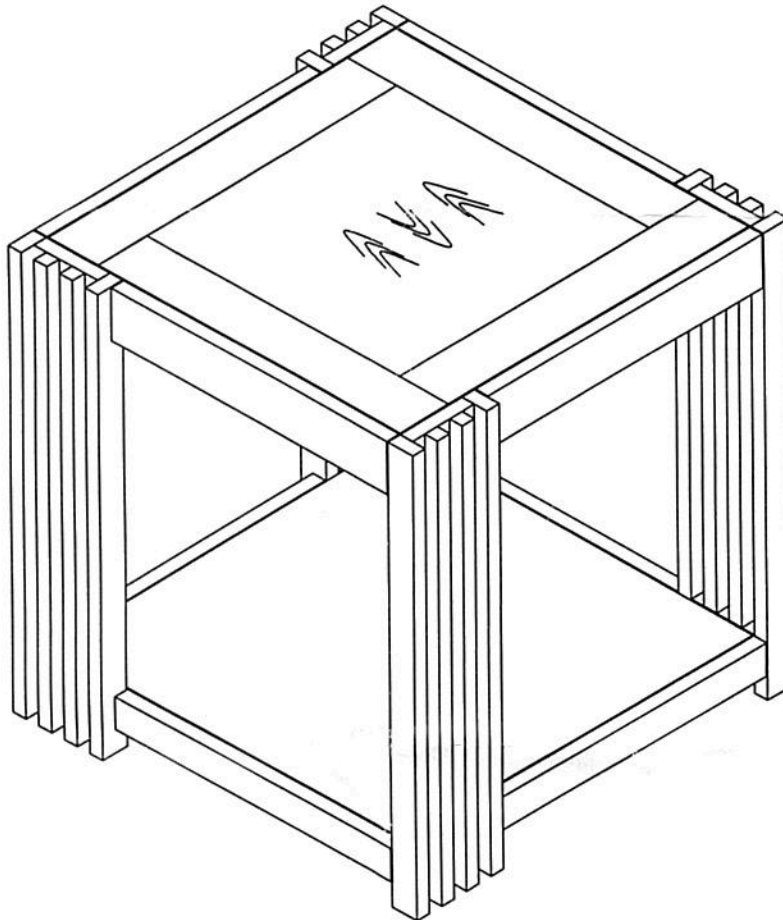
1932-02 END TABLE-DARK COLOR

SKU#23019323

PARTS LIST

Step	Code	Hardware		Q'TY
1	A	Allen Wrench 4 x 74 x 29mm		1pc
2	B	Bolt 1/4" x 1-3/8"		16pcs
		Spring Washer 1/4"xØ11x2mmT		
		Flat Washer 1/4"xØ16x2mm		

① Top-1pc	
② Leg-4pcs	
③ Shelf-1pc	



HARDWARE PACK LOCATION(S):

1932-02 END TABLE-DARK COLOR

SKU#23019323

PAGE 1 OF 2



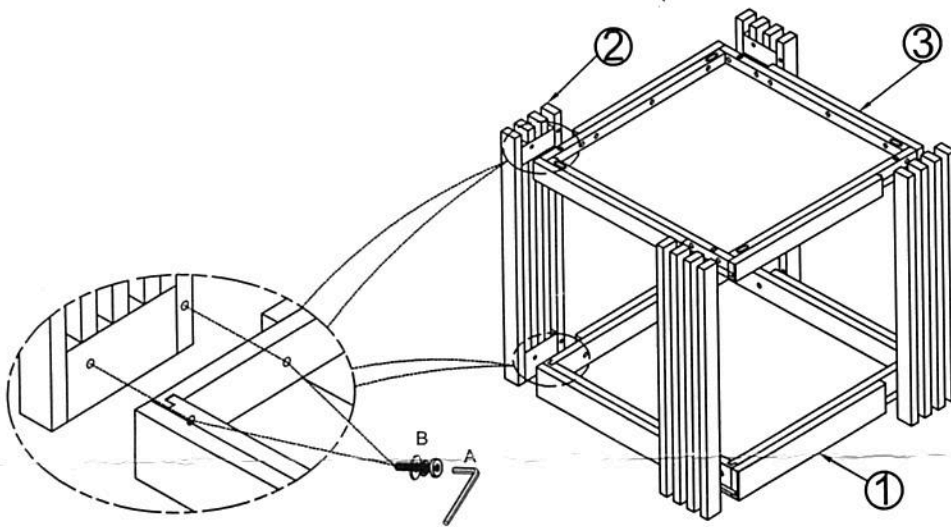
Assembly Instructions

SPOL
1932-02 END TABLE-DARK COLOR

SKU#23019323

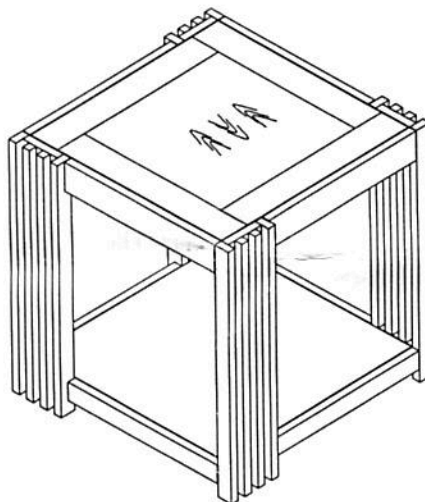
***Caution: Please read all instructions carefully before starting the assembly process. These parts are cumbersome and heavy. Therefore, two people are recommended in order to prevent personal injury and insure the parts are not damaged during the assembly.

STEP: 1



Attach 4 legs to top panel and shelf

STEP: 2



Turn table to its feet. Assembly completely