

Lark End Table

Components / Parts

SKU# 23010213 Table Top 01 Pcs

SKU# 23010214 Metal Base 02 Pcs

Hardware Included (inside SKU# 22010214)

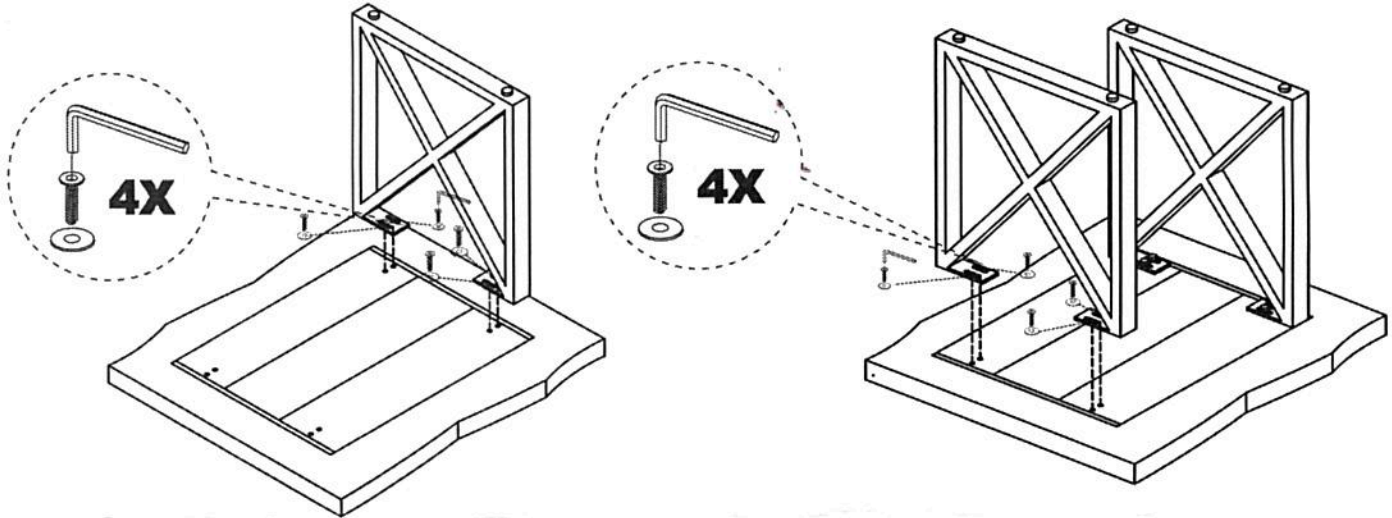
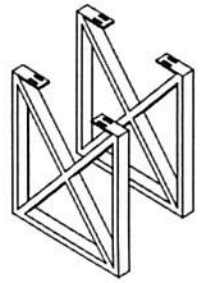
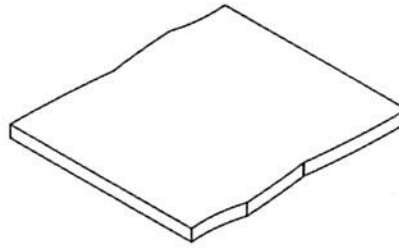
Allen Bolt 08 Pcs



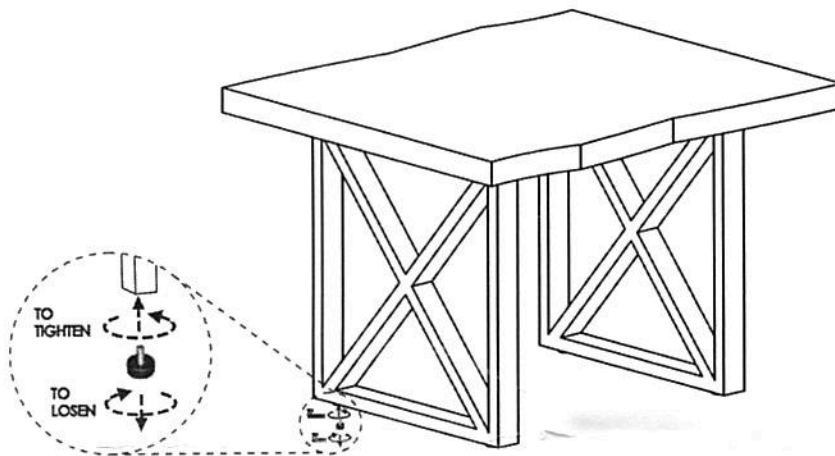
Metal Washer 08 Pcs



Allen Key 01 Pcs



Do not put the table top on a hard surface, always use a padded surface for assembly.



Cleaning & Care Instructions:-

- Clean surface with a dry or damp soft cloth.
- Do not use abrasives cleaners. Do not leave spills unattended. Do not place hot objects on surface.
- It is highly recommended to protect your furniture from water and scratches by using coasters & placemats.
- Always wipe up spills promptly and dry with a soft cloth.
- For Indoor use only. Avoid direct sunlight.
- If the wood seems dry, apply furniture wax on wood surface.

Natural solid wood has characteristics which include knots, mineral deposits, variations in grain, and color differences. Knots are imperfections that happen during the growth of the tree.

This table uses Live edge (also known as natural edge) wood which is created by retaining the raw edge of the tree and allowing the natural shape to show through. So the contours of the edge can range from wavy and undulating curves to sharp spikes including natural crevices on the edges. Each edge is completely unique. These do not interfere with the structural integrity of the piece, but instead, give each piece its unique character.