

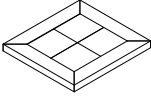
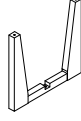
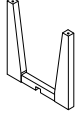
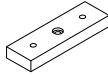


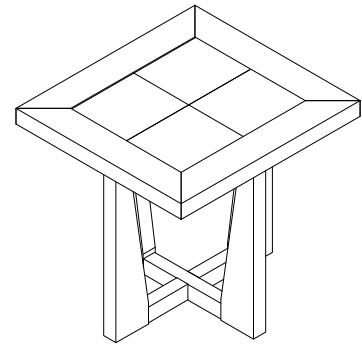
# ASSEMBLY INSTRUCTION

TCHI JD200-02 END TABLE SKU#23022027






\*\*\* Thank you for purchasing this quality product. Be sure to check all packing materials carefully for small parts which may have come loose inside the carton during shipment. Identify and count all parts and compare with the parts list below.

## PARTS LIST

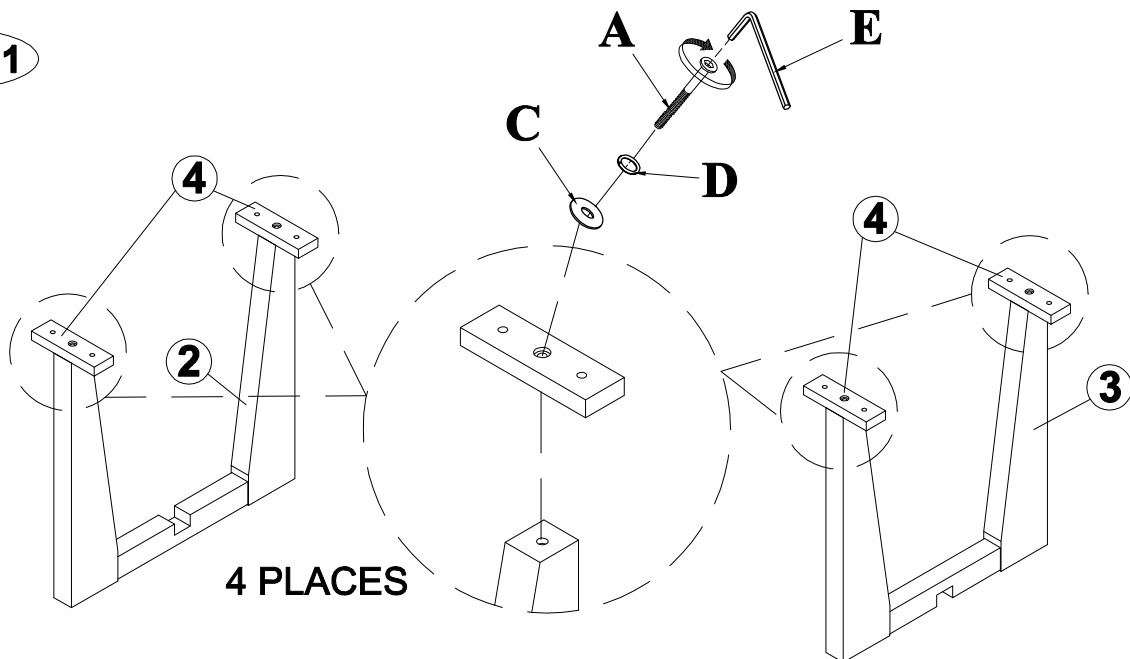
<b>1</b>	<b>2</b>	<b>3</b>	<b>4</b>
			
TABLE TOP: 1PC	SIDE LEG FRAME: 1PC	FRONT LEG FRAME: 1PC	MOUNTING PLATE: 4PCS



## HARDWARE LIST

<b>A</b>	<b>B</b>	<b>C</b>	<b>D</b>	<b>E</b>
				
Bolt: 5/16" * 1-3/8" : 12PCS	Bolt: 1/4" * 1-5/8" : 1PC	Flat Washer: φ5/16" * 14: 13PCS	Block Washer: φ5/16": 13PCS	Allen Wrench: 1PC

### STEP 1

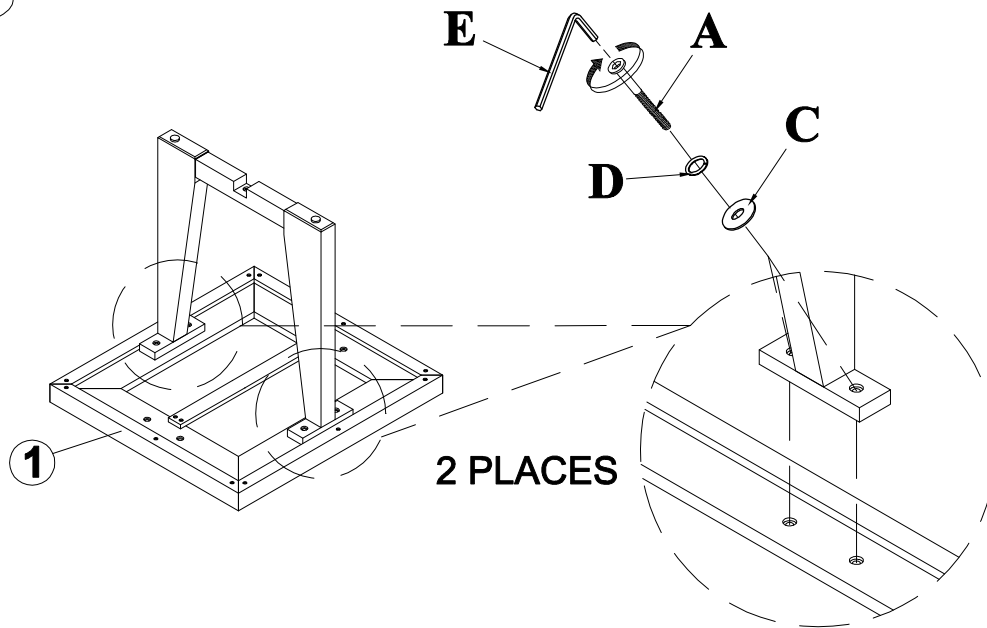




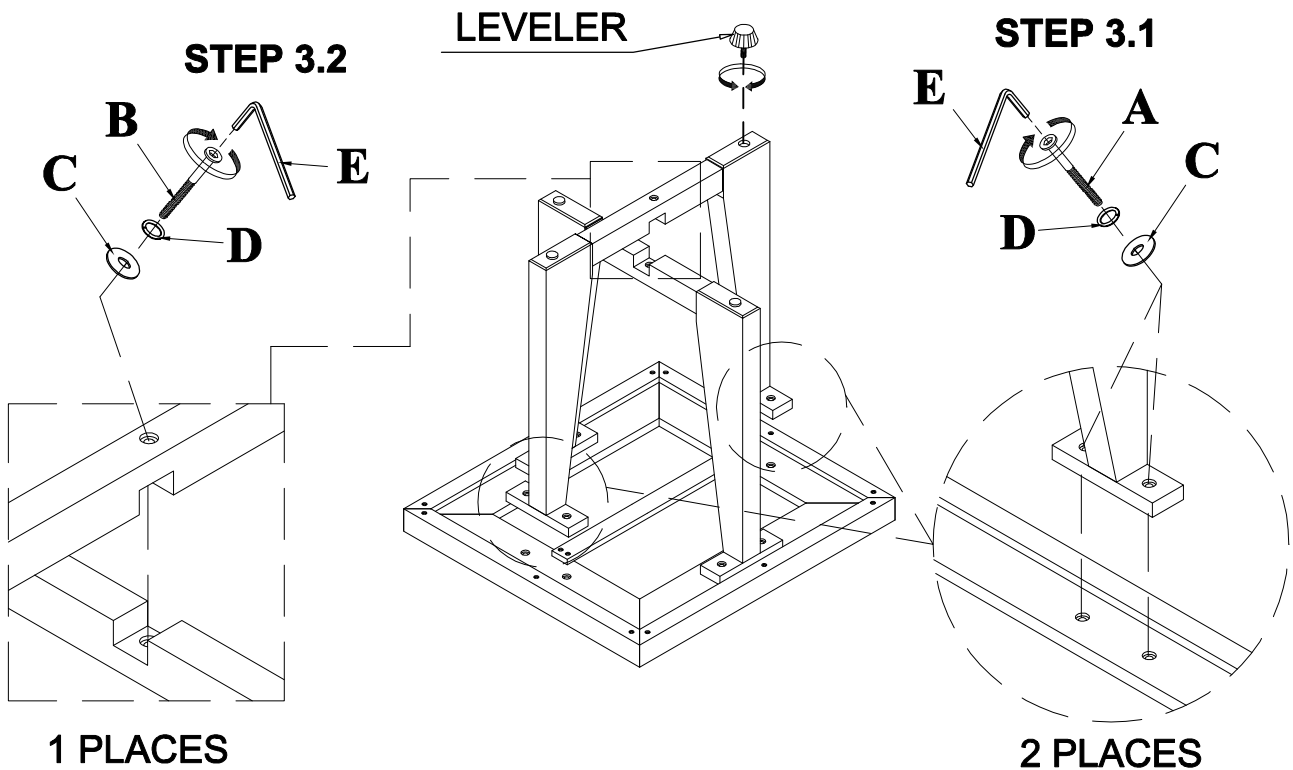
# ASSEMBLY INSTRUCTION

TCHI JD200-02 END TABLE SKU#23022027

## STEP 2



## STEP 3



**NOTE: TABLES HAVE BASE LEVELERS TO COMPEN SATE FOR UNEVEN FLOORS.**

**CLEANING INSTRUCTION:** Clean with a soft cloth and warm water with a diluted mild detergent. Follow with a soft cloth and clear water rinse, then dry thoroughly with a soft cloth.