

Assembly Instructions

VICE




2495-2 End Table

SKU




23024956

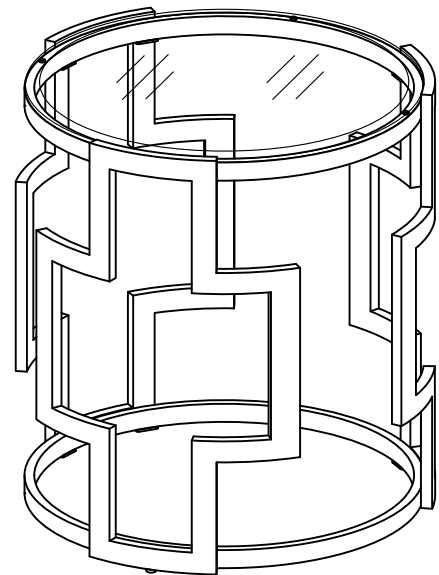
This product is manufactured by (VICE) for ROOMS TO GO®

Hardware List

NO.		DESCRIPTION	Q'TY
A		Ø1/4"x20x1/2" L Allen Bolt	12PCS
B		Allen Wrench	1PC
C		Clear Pad:Ø8x2.5mm	4PCS

Part List

NO.	DESCRIPTION	SKETCH	Q' TY
①	Top Glass		1PC
②	Top Frame and Bottom Frame		2PCS
③	Side Frame		3PCS



Hardware Pack Location(s):

2495-2 End Table,SKU# 23024956

Assembly Instructions

VICE

2495-2 End Table

SKU

23024956

This product is manufactured by (VICE) for ROOMS TO GO®

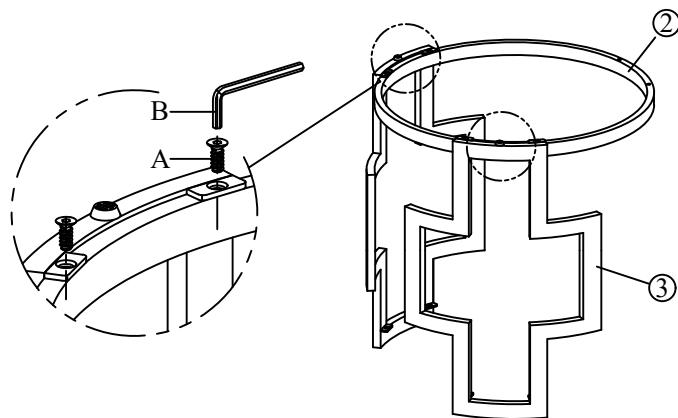
Step 1: Attach 2 pcs Side Frame (3) to the Bottom Frame (2) using Allen Bolt (A) and Allen Wrench (B).

Step 2: Attach the Top Frame (2) to the pre-assembled unit using Allen Bolt (A) and Allen Wrench(B).

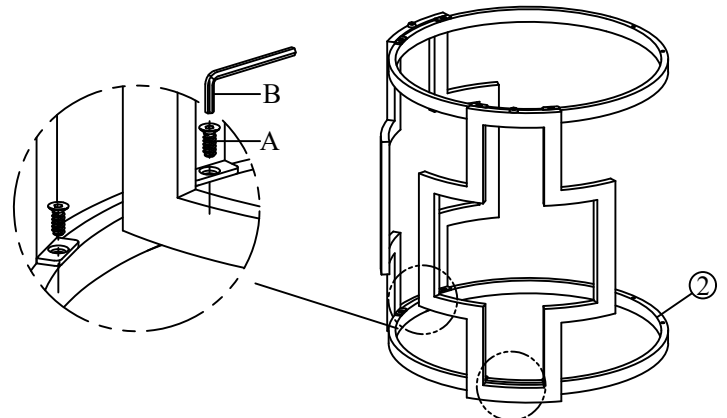
Step 3: Attached the last piece of Side Frame (3) to the Top Frame and Bottom Frame (2) using Allen Bolt(A) and Allen Wrench (B)

Step 4: Put the Clear Pad (C) to the Top Frame (2),place the Top Glass (I) on the Clear Pad (C). The table is ready to use.

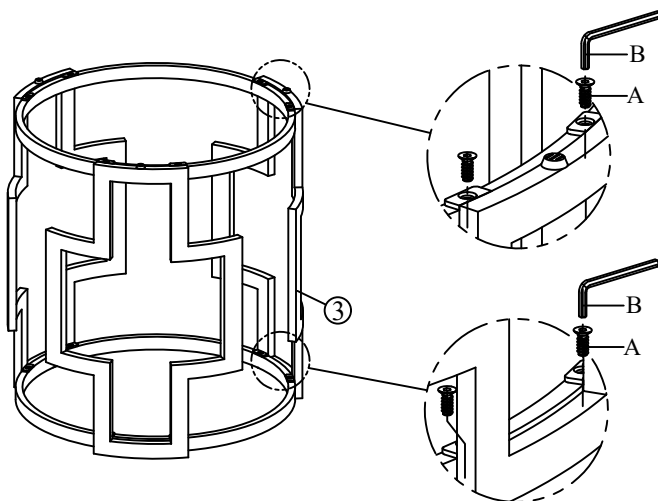
Step 1:



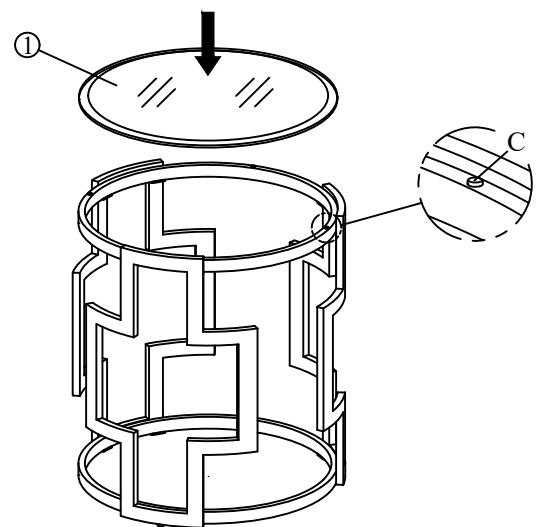
Step 2:



Step 3:



Step 4:



Hardware Pack Location(s):

2495-2 End Table,SKU# 23024956