



ASSEMBLY INSTRUCTIONS

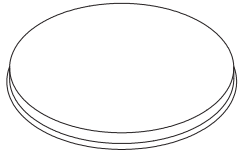
HMVN: 2601-2 ROUND END TABLE SKU#23026037

This product is manufactured by HMVN for Rooms To Go

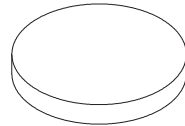
Thank you for purchasing this product. Be sure to check all packing material carefully for small parts which may have come loose inside the carton during shipment. Identify and count all parts and compare with the HARDWARE LIST below.

Caution: Please read all instructions carefully before starting the assembly process. These parts are cumbersome and heavy. Therefore, two people are recommended in order to prevent personal injury and insure the parts are not damaged during the assembly.

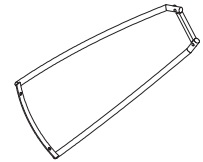
PARTS LIST



A. TABLE TOP - 1PC



B. BOTTOM SHELF - 1 PC

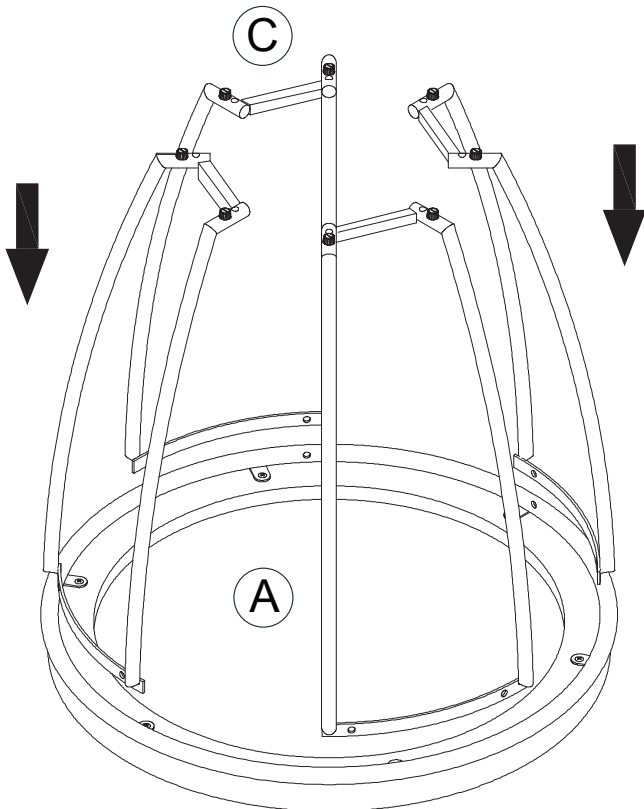


C. LEG - 4 PCS

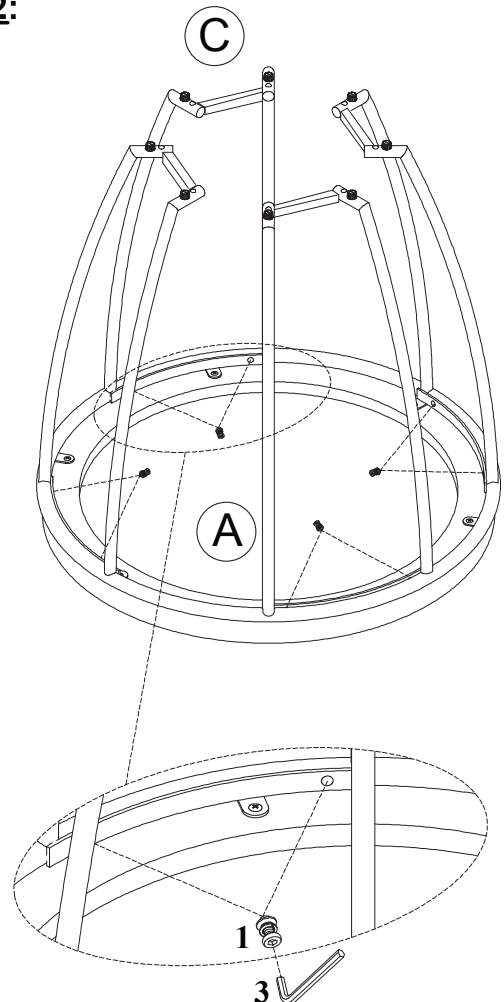
NO.	HARDWARE LIST		Q'TY
1		BOLT 1/4*20*18mm	8 PCS
		SPRING WASHER 1/4*Ø12*1.5mm	
		FLAT WASHER 1/4*Ø16*2mm	
2		BOLT 5/16*18*32mm	8 PCS
		SPRING WASHER 5/16*Ø14*1.5mm	
		FLAT WASHER 5/16*Ø19*2mm	
3		ALLEN KEY M4	1 PC

Note: Do not tighten all screws & Bolts until the table is fully assembly.

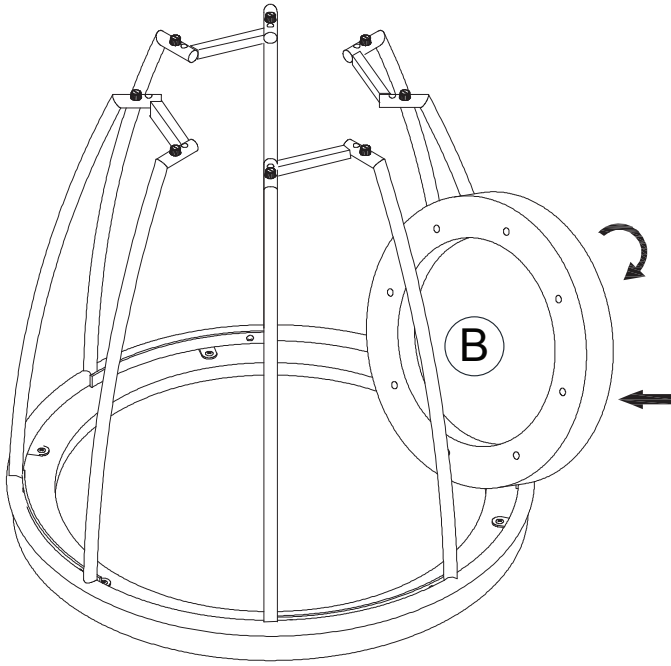
STEP 1:



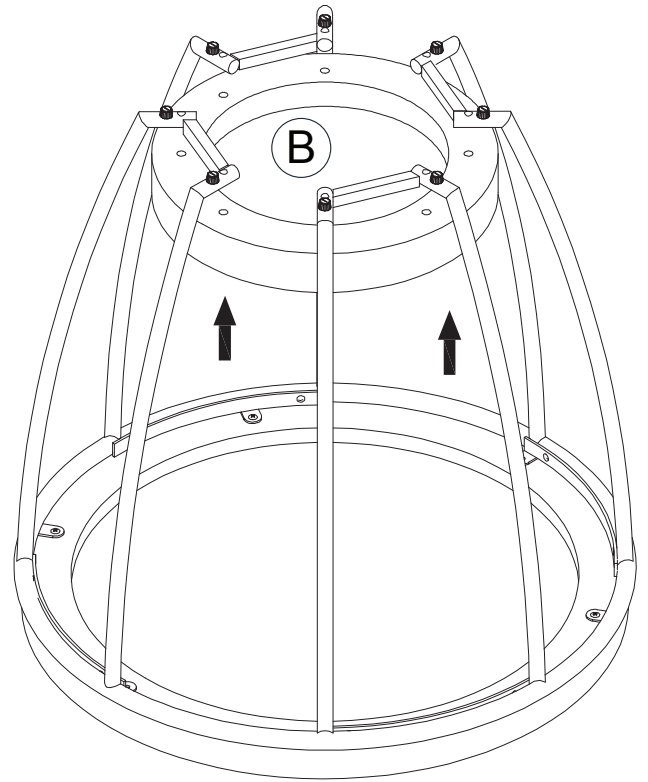
STEP 2:



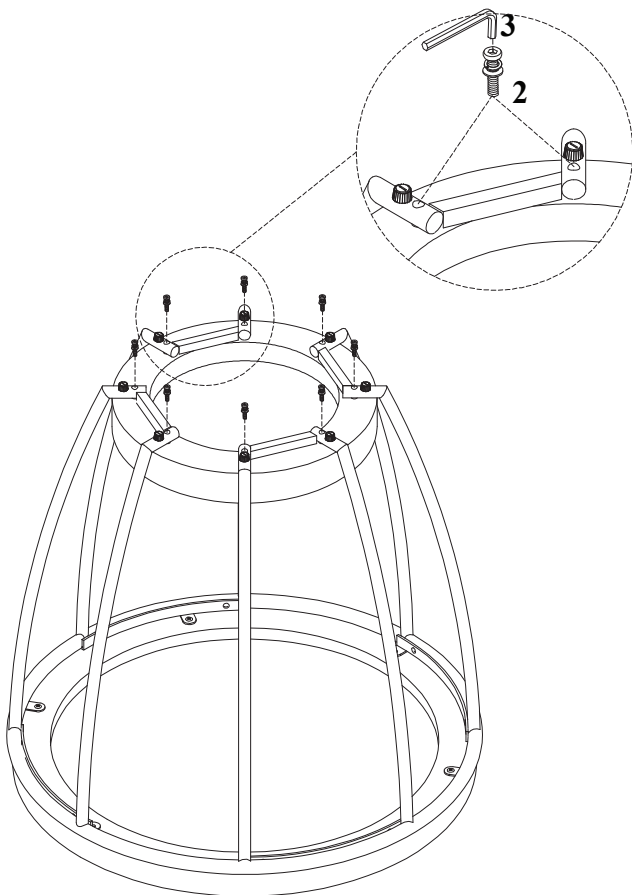
STEP 3:



STEP 4:



STEP 5:



STEP 6:

