



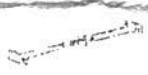

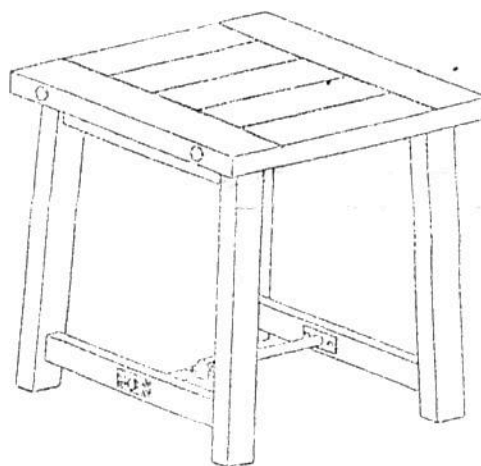
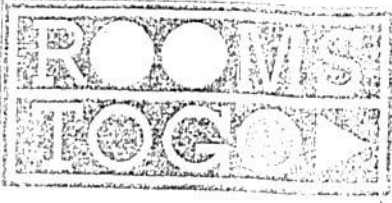


GLOB
 2866-2 END TABLE
 SKU#23028663
 Assembly Instruction

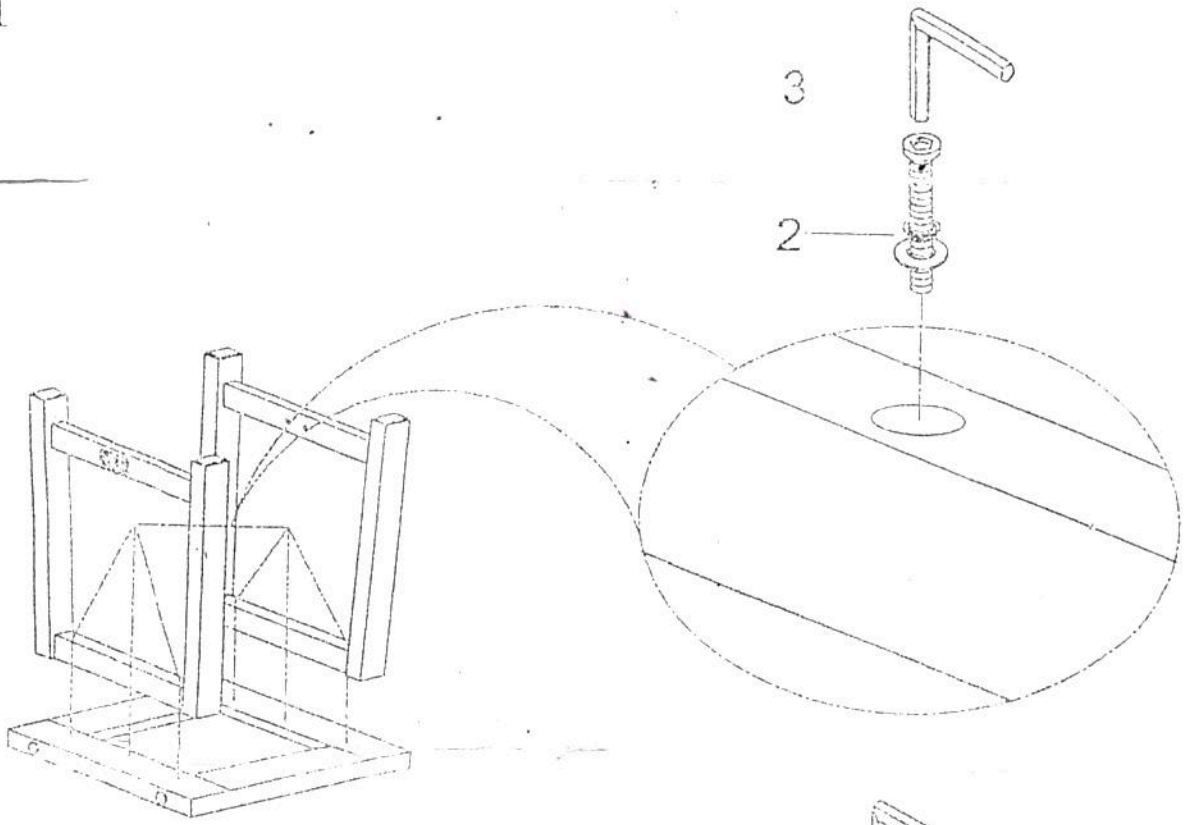
NO.	Parts List		Q'TY	NO.	Hardware list		Q'TY	
A		Top	1	1		ϕ 1/4" x 20 x 5/8" Bolt	4	
							ϕ 1/4" x 2mmT Spring washer	4
							ϕ 1/4" x 2mmT Flat washer	4
B		Leg	2	2		ϕ 5/16" x 18 x 1 - 3/4" Bolt	6	
							ϕ 5/16" x 2mmT Springwasher	6
							ϕ 5/16" x 2mmT Flat washer	6
C		Metal stretcher	1	3		Allen wrench	1	



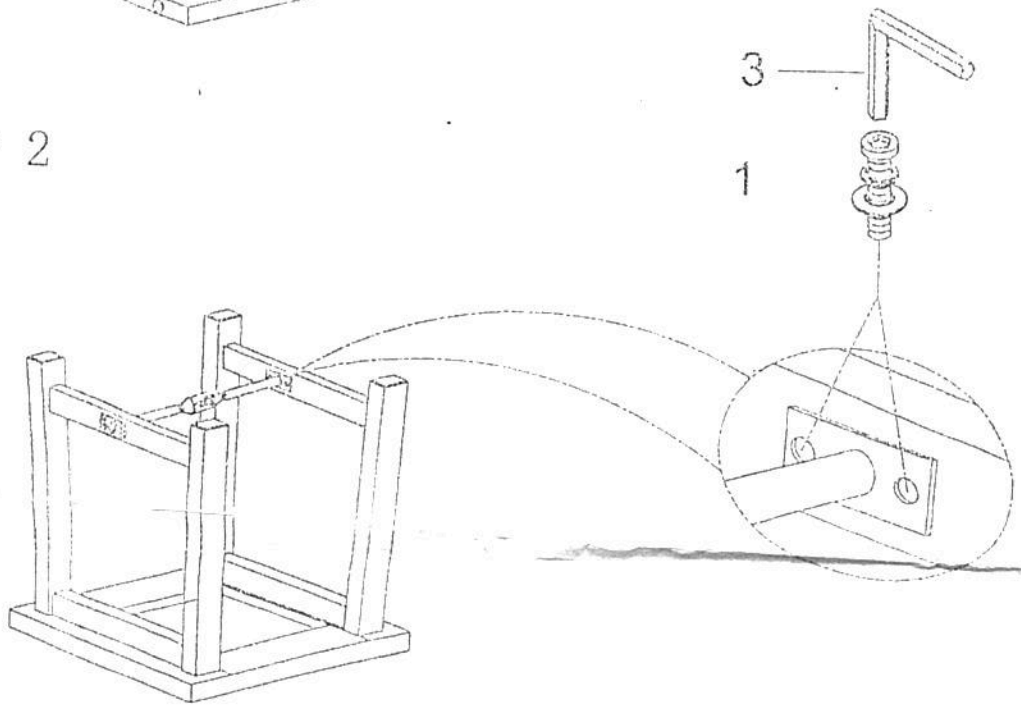


GLOB
2866-2 END TABLE
SKU#23028663
Assembly Instruction

STEP 1



STEP 2



Assembly completed