



ASSEMBLY INSTRUCTION

ENDG

END TABLE

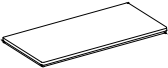

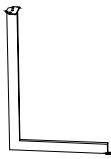


SKU NO:23032927

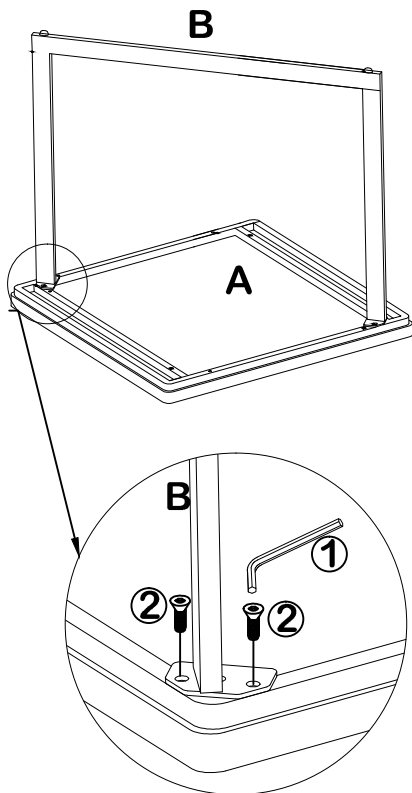
ITEM NO:3292-2

THANK YOU FOR PURCHASING THIS QUALITY PRODUCT. BE SURE TO CHECK ALL PACKING MATERIAL CAREFULLY FOR SMALL PARTS , WHICH MAY HAVE COME LOOSE INSIDE THE CARTON DURING SHIPMENT. IDENTIFY AND COUNT ALL PARTS AND COMPARE WITH THE PARTS LIST BELOW:

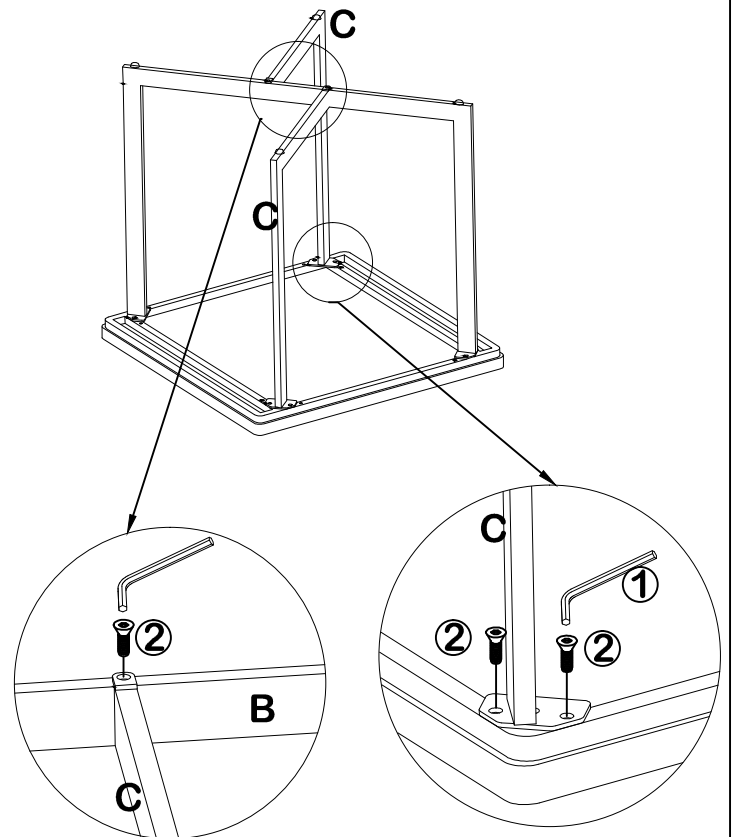
PARTS LIST

HARDWARE LIST

TOP	U LEG	L LEG										
			1 PC	A	1 PC	B	2 PCS	C	① ALLEN WRENCH		4MM	1 PC
									② BOLT		1/4" * 9/16"	10 PCS



STEP 1



STEP 2

IMPORTANT NOTE :
 1. PLEASE DO NOT TIGHTEN ANY BOLT UNTIL ALL OF THEM ARE PUT IN PLACES THEN TIGHTEN THE BOLTS
 2. FINAL ASSEMBLY OF TABLE SHOULD BE DONE ON A FLAT SURFACE TO INSURE THAT ALL LEGS ARE LEVEL.