

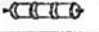

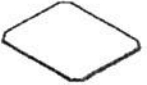







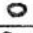
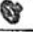
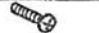


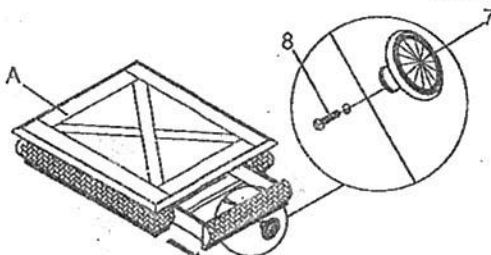


Thank you for purchasing this quality product. Be sure to check all packing materials carefully for small parts, which may have come loose inside the carton during shipment. Identify and count all parts and compare with the HARDWARE LIST below.

NO.	PARTS LIST	Q' TY
A	 End Table	1
B	 Bottom shelf	1
C	 Posts	4
D	 Bun feet	4
E	 SHELF	1

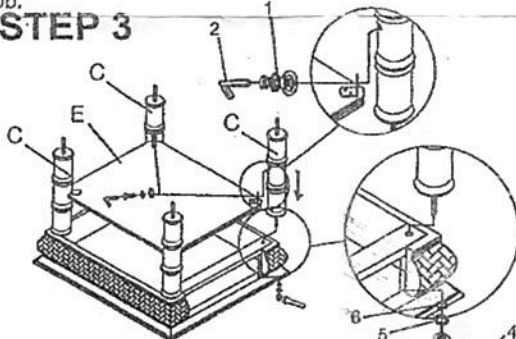
NO.	Hardware List	Q' TY
1	 Ø1/4" * 20 * 3/4" Bolt	4
	 Ø 1/4" Spring washer	4
	 Ø 1/4" * 19mm Flat washer	4
2	 Allen wrench (4mm)	1
3	 Ø 5/16" * 12mm NUTS	4
4	 Wrench	1
5	 Ø5/16" * 19 * 1mm T Flat Washer	4
6	 Ø 5/16" * 1.5mm T Spring Washer	4
7	 Knob	1
8	 Bolt	1

### STEP 1



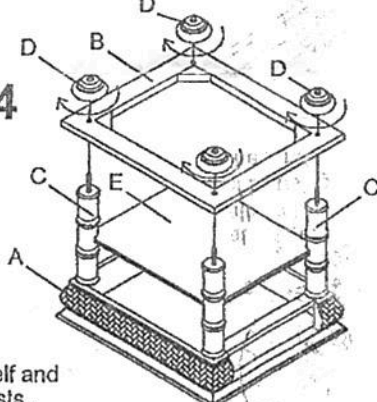
1. Pull out the drawers from the table to assemble the knob.

### STEP 3



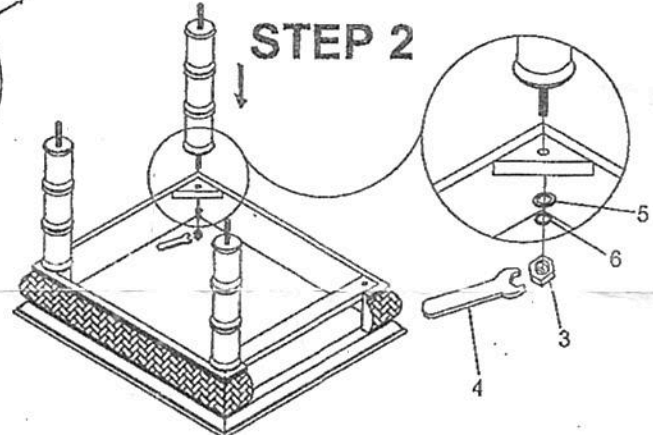
3. Attach shelf to the post by using bolt, flat washer, spring washer and allen wrench. Then attach the fourth post to the table top and the shelf by using nut, Black flat washer, Black spring washer and wrench.

### STEP 4



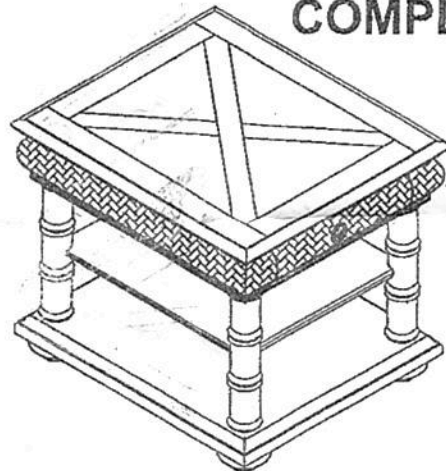
4. Attach bottom shelf and bun feet to the posts.

### STEP 2



2. Turn the table top face down on a smooth soft surface to prevent damage. Only attach 3 posts to the bottom of the table by using flat washer, spring washer, nut and wrench.

### COMPLETE



5. Place assembled table in upright position. Put the drawers back into drawer frame.