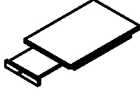




ASSEMBLY INSTRUCTIONS

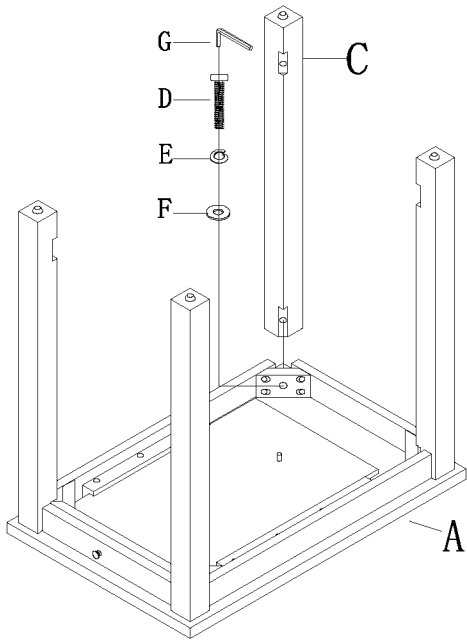
ITEM NO:P300-69

Thank you for purchasing this quality product. Be sure to check all packing material carefully for small parts that may have come loose inside the carton during shipment.





Parts List

NO	SKETCH	DESCRIPTION	QTY
A		Table Top	1 pc
B		Shelf drawer	1 pc
C		Legs	4pcs

Step 1

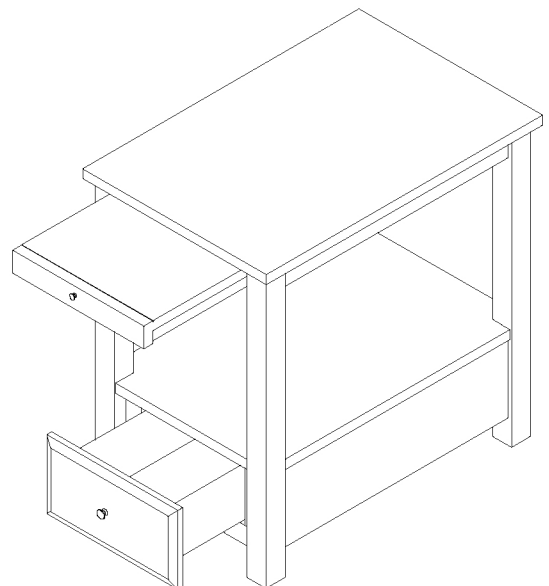
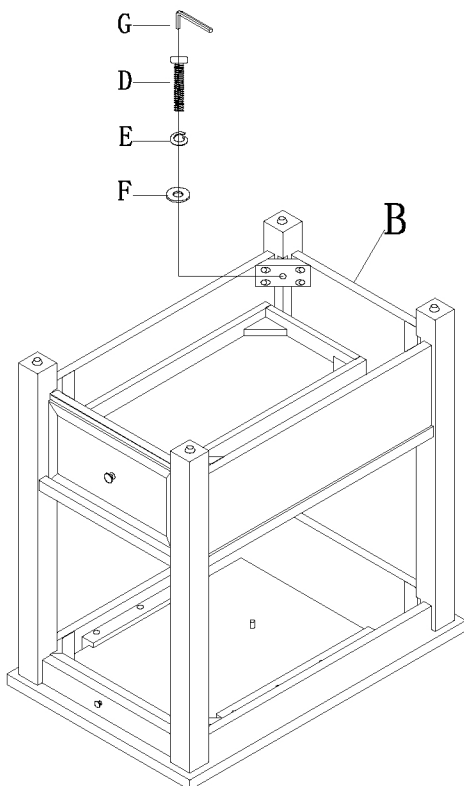


Hardware List

NO	SKETCH	DESCRIPTION	QTY
D		Allen Bolt $\phi 1/4" \times 2"$	8pcs
E		Spring Washer $\phi 1/4"$	8pcs
F		Flat Washer $\phi 1/4" \times 19mm$	8pcs
G		Allen Key $1/4"$	1 pc

Do not tighten any bolts until all the bolts have been loosely installed.

Step 2



MADE IN CHINA