






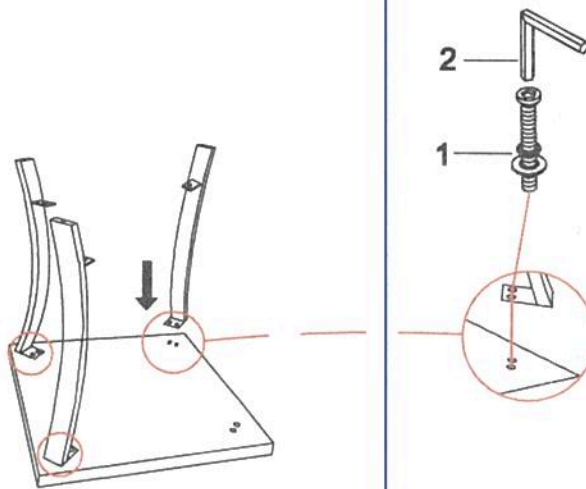


**GLOB**  
**3110-2 SQ.END TABLE**  
**SKU# 23031103**  
**Assembly Instruction**

NO.	Parts List		Q' TY
A		Top	1
B		Leg	4
C		Shelf	1

NO.	Hardware list		Q' TY
1		Bolt $\varnothing 1/4"$ x11x 5/8"L	12
		Lock washer $\varnothing 1/4"$ x $\varnothing 10$ x1mmT	12
		Flat washer $\varnothing 1/4"$ x $\varnothing 19$ x1mmT	12
2		Allen wrench 4mm	1

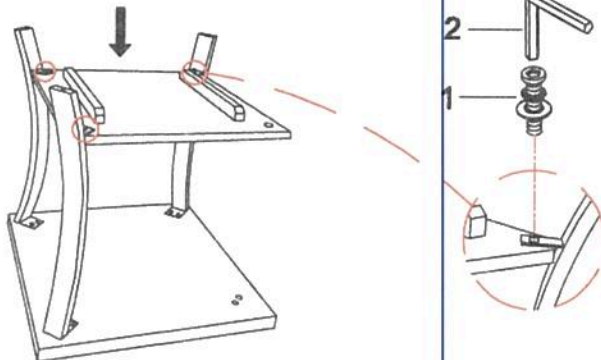
**STEP 1** Please assemble 3 legs to table top.



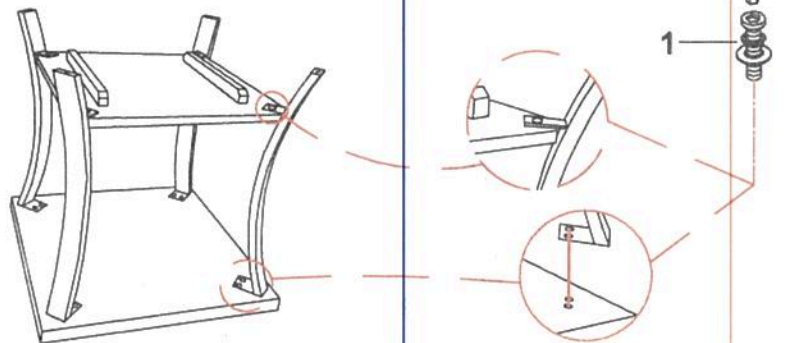


**GLOB**  
**3110-2 SQ.END TABLE**  
**SKU# 23031103**  
**Assembly Instruction**

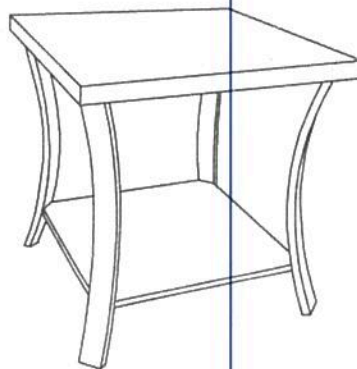
**STEP 2 Please assemble bottom shelf to 3 legs.**



**STEP 3 Please assemble the 4th leg to table top and bottom shelf.**



**STEP 4 Completed.**



**Assembly completed**