



ASSEMBLY INSTRUCTION

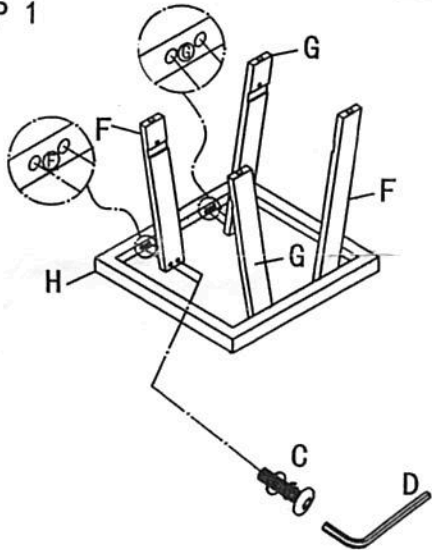
ALEK N1226-2 End Table

SKU: 23042269

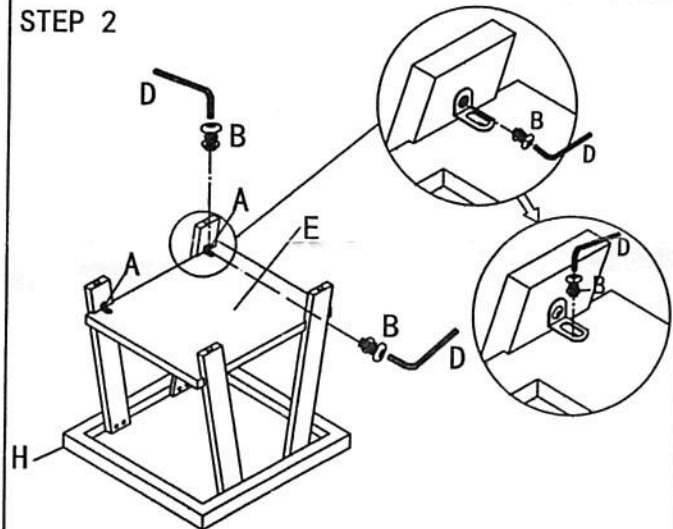
NO.	PART	DESCRIPTION	Q'TY
A		METAL PLATE	4
B		BOLT: $\phi 5/16 \times 3/4$ " (20 Threads per inch)	8
C		BOLT: $\phi 5/16 \times 2$ " (20 Threads per inch)	8
D		Allen Key	1
E		SHELF	1

NO.	PART	DESCRIPTION	Q'TY
F		LEG1	2
G		LEG2	2
H		TOP	1

STEP 1



STEP 2



1. Carefully unwrap the furniture and place all the parts on the soft blanket.
2. Place Top (H) on the soft blanket, attached Shelf (E) to Leg1 (F) Leg2 (G) use Bolt (B) by Allen Key (D), see the picture Step 1
3. Attach Leg1 (F) Leg 2 (G) to Top (H) Use Bolt (C) tighten by Allen key (D), See Picture Step 2
4. Step two is to install the component C, Please lock the C circular hole first, then lock the C elliptical hole.
5. Tighten the legs 100%.
6. Enjoy your table for a long time to come.

MADE IN VIETNAM