

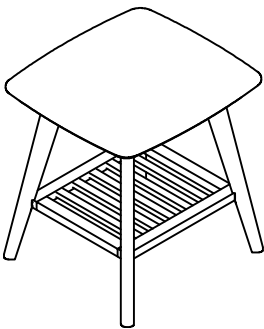
ASSEMBLY INSTRUCTIONS





MIYO 4232-ET END TABLE WITH SHELF SKU#23042322




This product is manufactured by MIYO for ROOMS TO GO 

Caution: Please read instructions thoroughly before unpacking assembly parts. Sharp, exposed staple tips can cause injury, therefore, for your protection, please remove any exposed staple used in packing.

1. We recommend that you should assemble this product with the assistance of another person; this will make assembly easier, and will help to eliminate damage to the product or injury to persons during assembly.
2. Be sure to check all packing materials carefully for small parts that may have come loose inside the carton during shipment.
3. Please do not over tighten screws or bolts.
4. Please put all parts on a non-abrasive floor before assembly, and follow the assembly steps to assemble your newly purchased product correctly and efficiently.

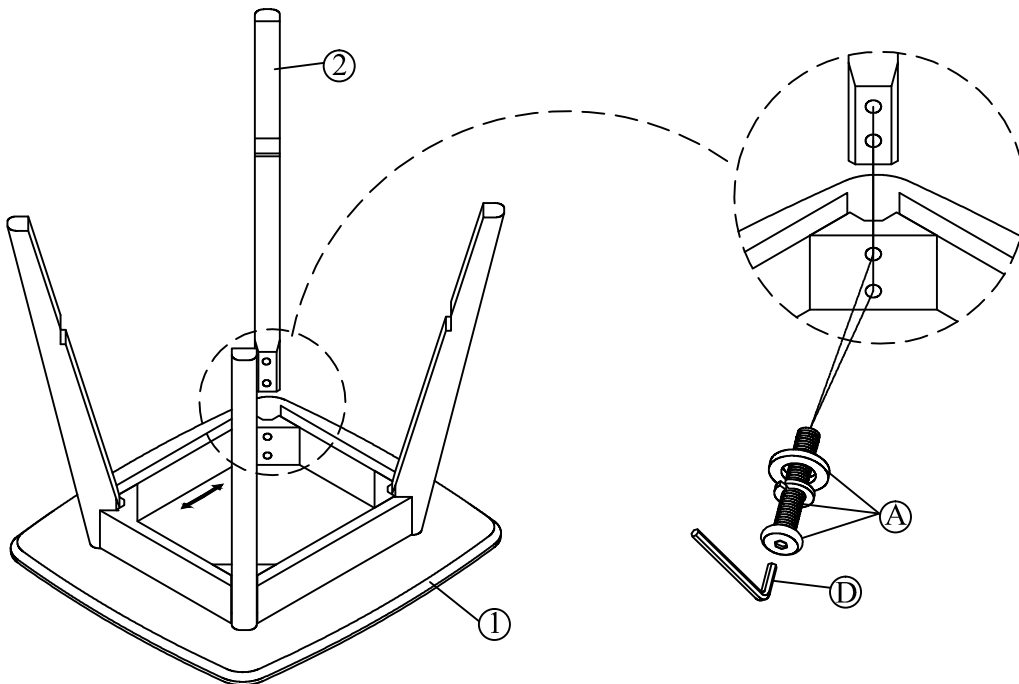


| HARDWARE LISTS | | | |
|----------------|---|--------------------------------|------|
| NO. | OUTLOOK | SIZE | Q'TY |
| A |  | Allen Bolt 05/16"x18x2-3/4" | 8PCS |
| | | Spring Washer 05/16" | 8PCS |
| | | Flat washer 05/16"x19mmx2mm | 8PCS |
| B |  | Allen Bolt 01/4"-20x15mm | 8PCS |
| C |  | Shelf Support 3/4"x1-1/2"L | 4PCS |
| D |  | Allen key 4mm | 1PC |

| PART LISTS | | | |
|------------|---|------------------|------|
| NO. | Sketch | Description | Q'TY |
| 1 |  | TABLE TOP | 1PC |
| 2 |  | TABLE LEG | 4PCS |
| 3 |  | ADJUSTABLE SHELF | 1PC |

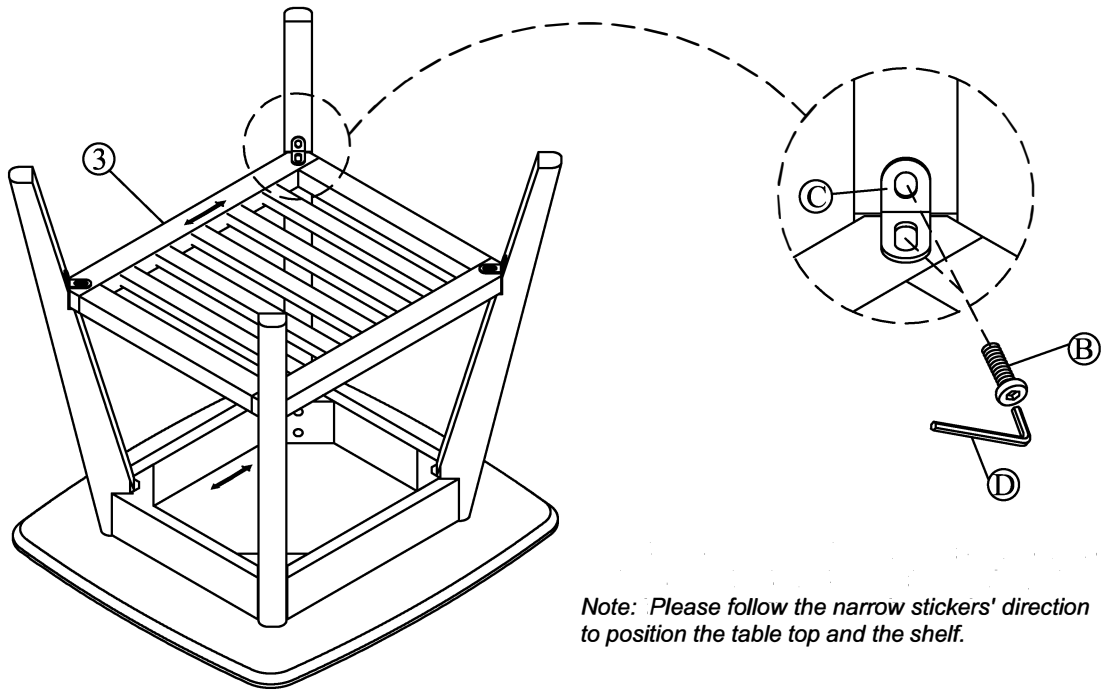
STEP 1

Carefully place the Table Top (1) bottom side up. Align Table Leg (2) in the corners of the Table Top (A) as shown in the diagram. Secure Table Leg (2) with Allen Bolt, Spring Washer and Flat Washer (A) using Allen Key (D). Do not fully tighten at this time.



STEP 2

Place Shelf (3) below the Shelf Supports (C). Insert Allen Bolt (B) through the holes on the Shelf Supports (C) into the Shelf (3) and Table Leg (2), Fully tighten all bolts from STEP #1 and STEP #2 at this time. Make sure the Shelf is stable as shown in the diagram.



Completed

