

# ASSEMBLY INSTRUCTION

STRO

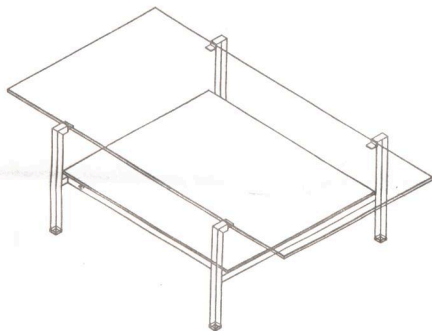
4321-01 Rect CT Wart Glass  
4321-03 ET Wart Glass

4321-05 ET WWhite Glass  
4321-07 ST Wart Glass

SKU#

22143212 23143213  
23043211 23843217

Thank you for purchasing this quality product. Be sure to check all packing materials carefully for small parts, which may have come loose inside the carton during shipment. Identify and count all parts and compare with the HARDWARE LIST.

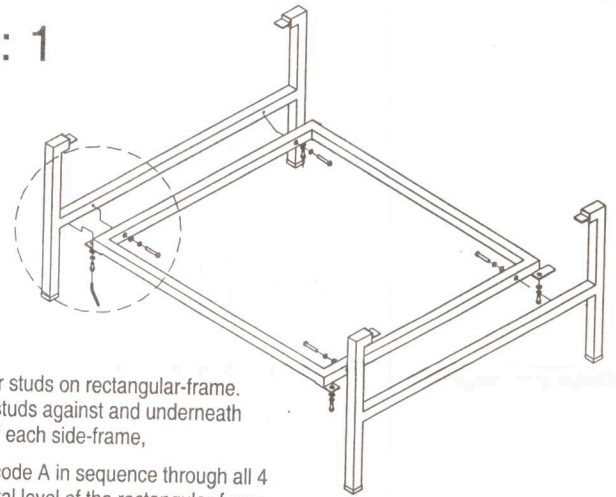
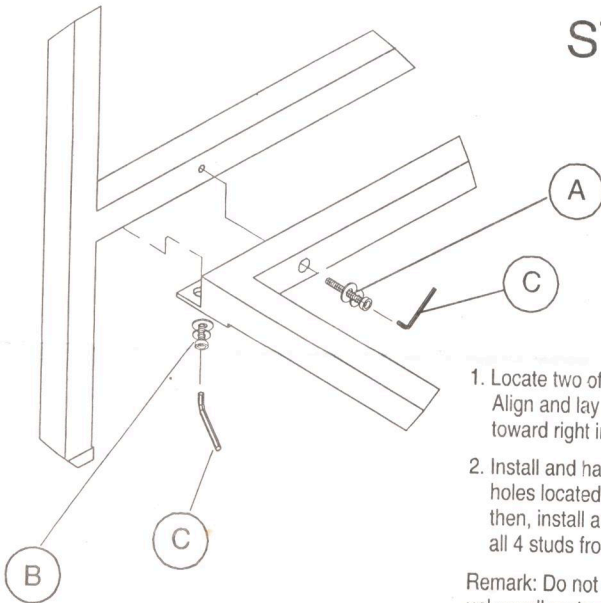


\*\*\*Caution: please read all instructions carefully before starting the assembly process. These parts are cumbersome and heavy. Therefore, two people are recommended in order to prevent personal injury and ensure the parts are not damaged during the assembly.

## HARDWARE LIST

Step	Code	Hardware	QTY
1	A	Bolt 1/4"x7/16"x5/8"	4Pcs
		Spring Washer 1/4"x $\phi$ 3/8"	4Pcs
		Flat Washer 1/4"x $\phi$ 5/8"	4Pcs
1	B	Bolt 1/4"x7/16"x1-1/2"	4Pcs
		Spring Washer 1/4"x $\phi$ 3/8"	4Pcs
		Flat Washer 1/4"x $\phi$ 5/8"	4Pcs
1	C	Allen Key 4x57x21mm	1Pcs
2	D	Black Spacer $\phi$ 5/8"x3/16"	4Pcs
2	E	Clear Spacer $\phi$ 3/8"x1/16"	4Pcs

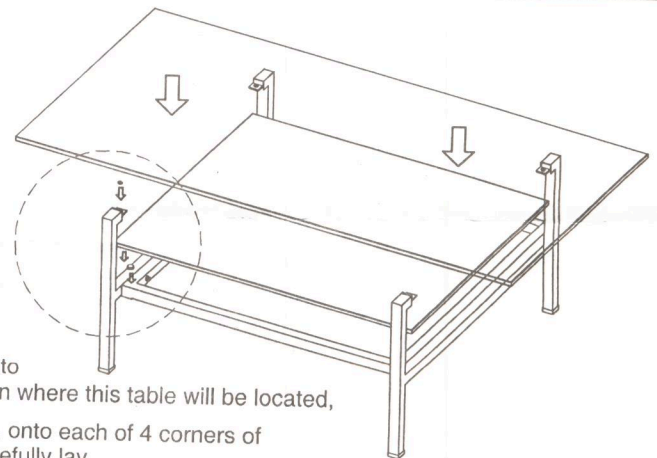
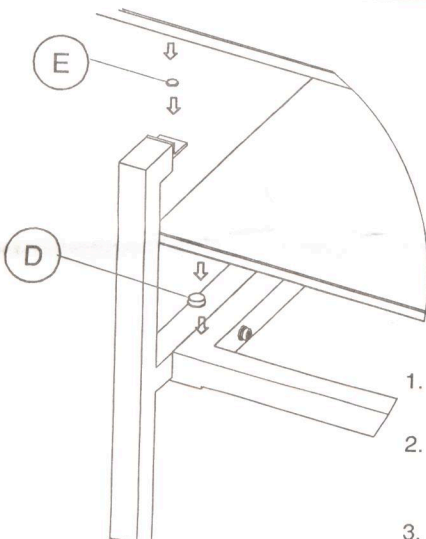
## STEP: 1



1. Locate two of rectangular studs on rectangular-frame. Align and lay these two studs against and underneath toward right inner-side of each side-frame,
2. Install and hand tighten code A in sequence through all 4 holes located on horizontal level of the rectangular-frame, then, install and hand tighten code B in sequence through all 4 studs from bottom side of rectangular-frame as shown.

Remark: Do not start using Allen Key, code C, to tighten all screws and bolts unless all parts are in position and frames are securely assembled.

## STEP: 2



1. Move the assembled frame to pre-determined floor position where this table will be located,
2. Place black spacer, code D, onto each of 4 corners of rectangular frame, then, carefully lay colored-glass-shelf onto rectangular-frame as table shelf.
3. Place clear spacer, code E, onto each of 4 studs of left and right side-frame, then, carefully lay clear glass top onto studs to complete assembly.

### Hardware Pack Location(s):

Rect CT Wart Glass, SKU# 22143212  
ET Wart Glass, SKU#23043211

ET WWhite Glass, SKU#23143213  
ST Wart Glass, SKU#23843217

MADE IN CHINA