



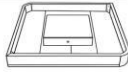

ASSEMBLY INSTRUCTIONS

FNR4627 Wooden End Table





Manufactured by (CPLO) for RTG.

SKU# 23046279

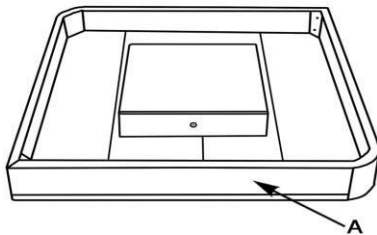
PARTS

S.NO.	DESCRIPTION	QNT
A	 WOODEN TOP	1
B	 WOODEN LEG	1

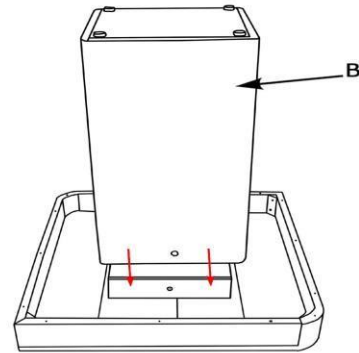
HARDWARE

S.NO.	DESCRIPTION	QNT
C	 SPRING WASHER	4
D	 WASHER 8x20mm	4
E	 ALLEN SCREW 6X35mm	4
F	 ALLEN KEY 4mm	1

Step-1

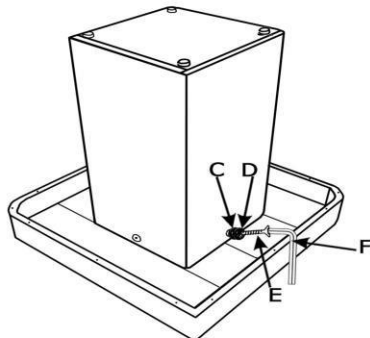


Step-2



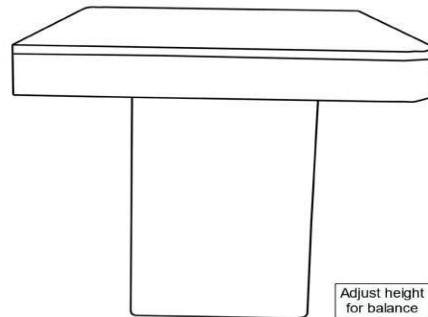
Notice: Don't make screw tightly until bottom assembled.


Step-3



Notice: Now can screw all the bolts tightly.

COMPLETED



Adjust height for balance 

Version# - Date Created - 25-November-2025