

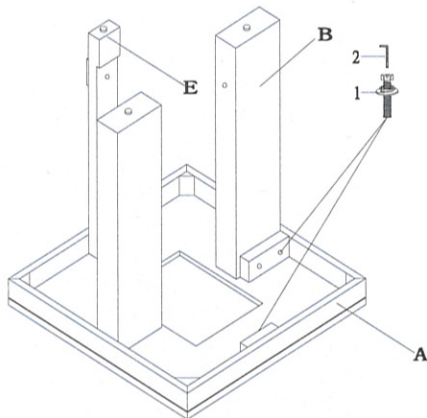


SUFU #5251DK-E (23052513) LAGUNA END TABLE Assembly Instructions

p2 of 2

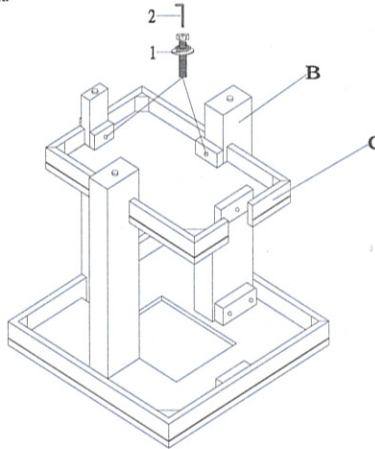
. Unpack carton and place all parts on a non-abrasive floor.

Step 1 . ATTACH BIG LEGS (B) AND SMALL LEGS (E) TO TABLE TOP (A) AND THEN ASSEMBLE THEM TOGETHER.
NOTE: DO NOT TIGHTEN COMPLETELY UNTIL ALL PARTS ARE ASSEMBLED.



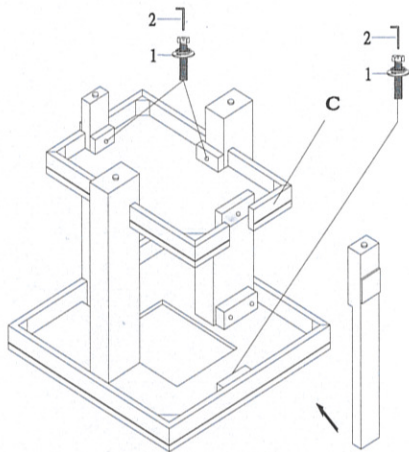
This step needs installation of five bolts(1).

Step 2 . ATTACH BOTTOM SHELF (C) AND THEN ASSEMBLE THEM TOGETHER.



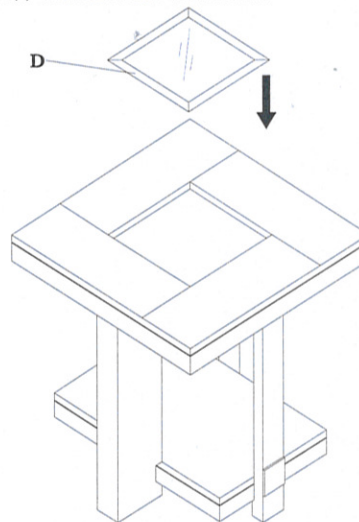
This step needs installation of three bolts(1).

Step 3 . ATTACH SMALL LEG (E) AND THEN ASSEMBLE THEM TOGETHER.



This step needs installation of two bolts(1).

Step 4 . PLACE GLASS (D) WITH THE ETCHED STRIPE DOWN.



. Assembly is now completed. Thank you for choosing this Quality product.