



Manufactured for Rooms To Go

ASSEMBLY INSTRUCTION

ALEK 529-10 END TABLE

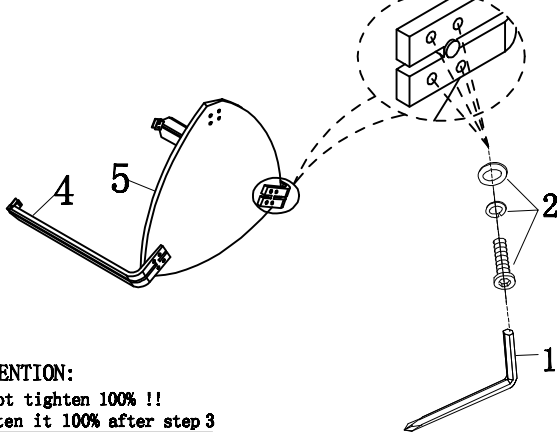
SKU:23052931

Thank you for purchasing this quality product. Be sure to check all packing material carefully for small parts which may have come loose inside the carton during shipment. Identify and count all parts and compare with the Parts list below:

No.	PART	DESCRIPTION	Q. TY
1		Allen Wrench:M4	1
2		Bolt:1/4"*1-1/4" (20 Threads per inch)	12
3		Nut:M8	6

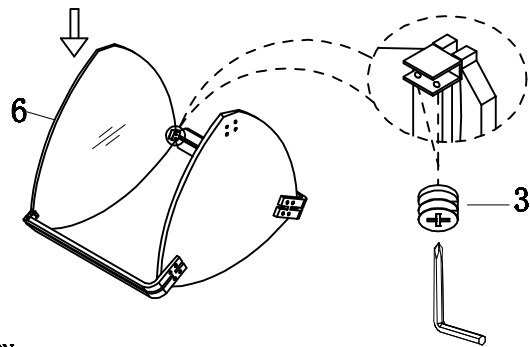
4		Leg	3
5		Bottom frame	1
6		Top glass	1

Step 1



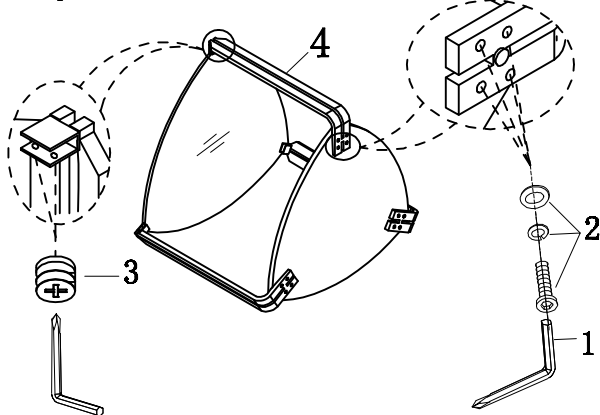
ATTENTION:
Do not tighten 100% !!
Tighten it 100% after step 3

Step 2

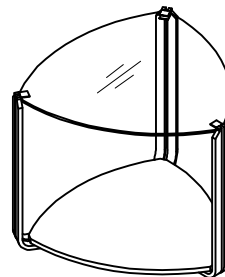


ATTENTION:
Do not tighten 100% !!
Tighten it 100% after step 3

Step 3



Step 4



ASSEMBLY INSTRUCTION

- Carefully unwrap the furniture and place all parts on a clean soft blanket.
- Attach Leg(4) to Bottom frame(5) use Bolt(2) tighten by Allen Wrench(1) as Step 1
- Attach Top glass (6) to Leg(4) use Nut(3) tighten by Allen Wrench(1) as Step 2.
- Tighten the legs with Bottom frame and Top glass 100% as Step 3.
- Enjoy your table for a long time to come.

MADE IN CHINA