


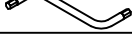
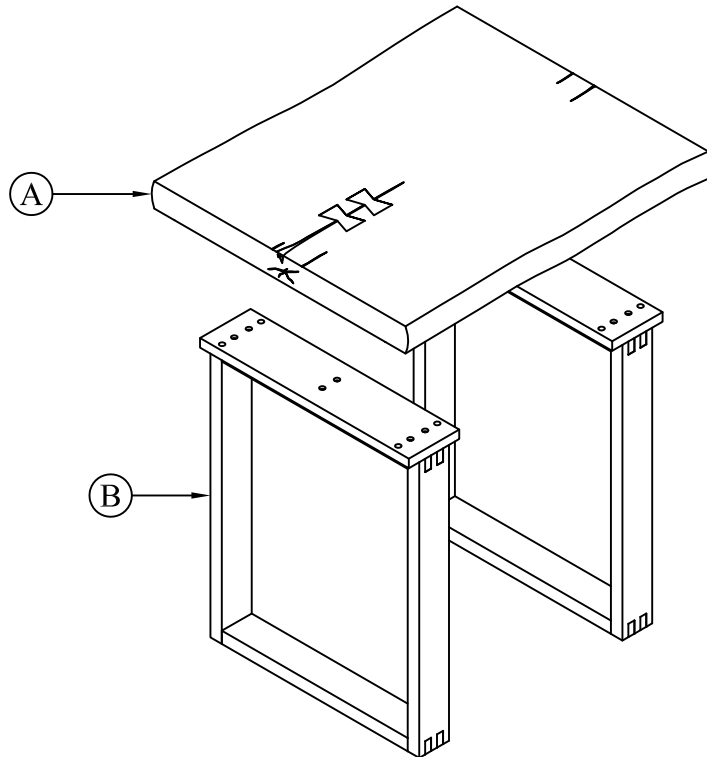


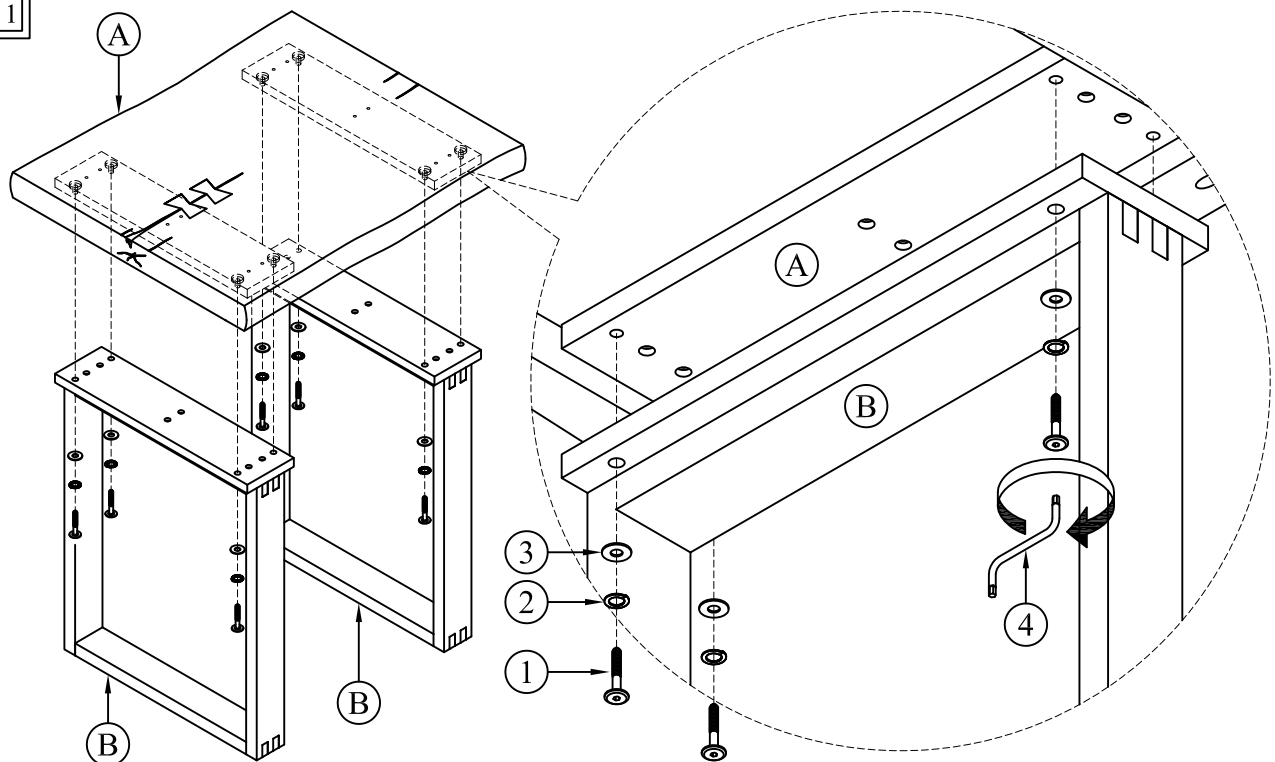
Thank you for purchasing this quality product. Be sure to check all packing material carefully for small parts, which may have come loose inside the carton during shipment. Identify and count all parts and compare with the Hardware List below.

	No.	Picture	Description	Dimension	Qty
Hardware List	1		Bolt	M6 x 35 mm	8 Pcs
	2		Lock Washer	Ø13 / Ø6 x 1 mm	8 Pcs
	3		Washer	Ø16 / Ø6 x 1 mm	8 Pcs
	4		Allen Key	4 mm	1 Pc
Parts List	No.	Description			Qty
	A	Top			1 Pc
	B	Leg			2 Pcs

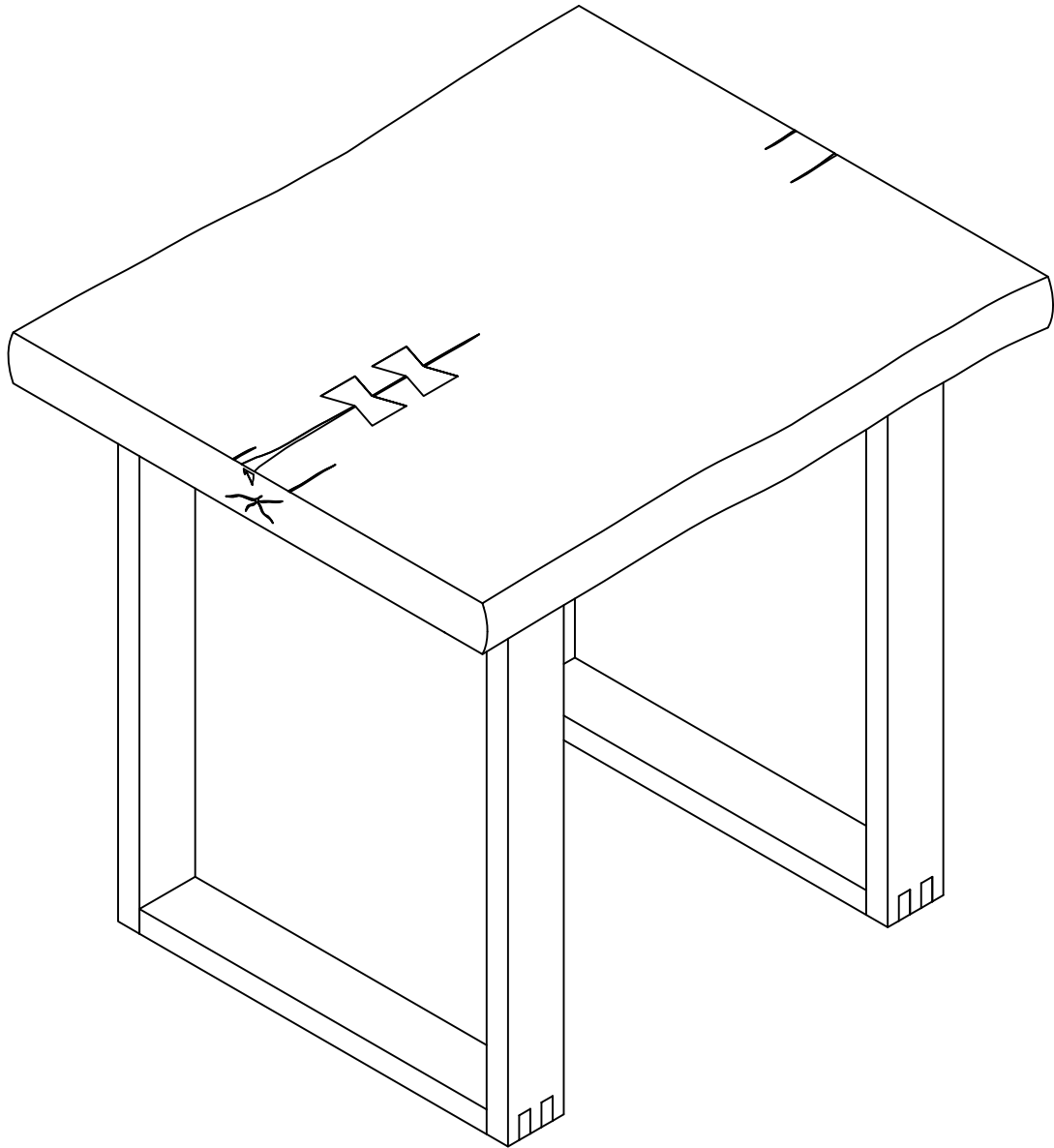
Parts Detail



STEP 1



STEP 2



ASSEMBLY COMPLETED