
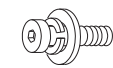
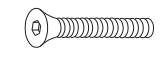



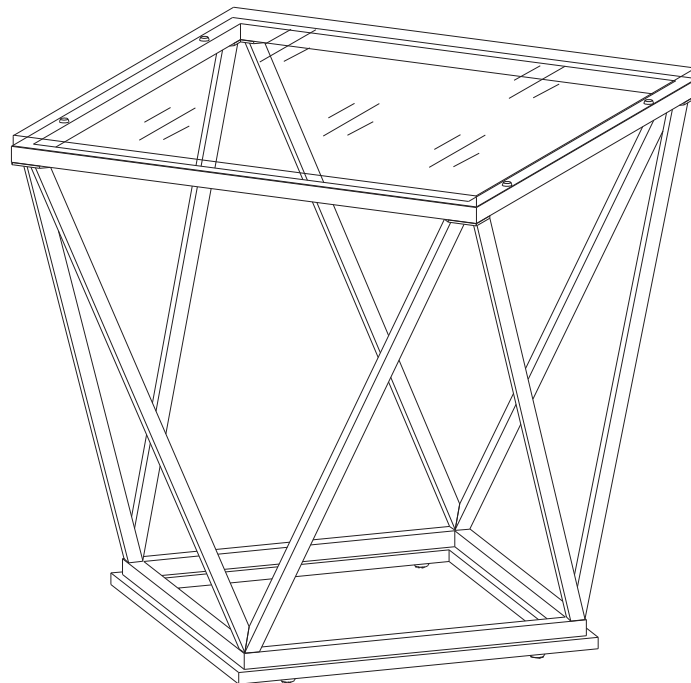


Assembly Instructions

CRAM 5720-94 22"*22"*24"H ET BASE SKU# 23157200

***Caution: Please read all instructions carefully before starting the assembly process. Some of the parts maybe cumbersome and/or heavy, therefore it is recommended two people assemble this furniture to prevent personal injury and/or damage to the parts during assembly.

Step	Code	Hardware	Q'TY
	A	Allen Key 4x65x23mm 	1pc
1	B	Allen Bolt PH 1/4"x20x5/8" 	4pcs
2	C	Allen Bolt FH 1/4"x20x1-5/8" 	4pcs
3	D	Glass Tip $\phi 6 \times \phi 12 \times 10 \text{mm}$ 	4pcs



Hardware Pack Location(s): HARD WARE BOX

END TABLE, SKU# 22157200

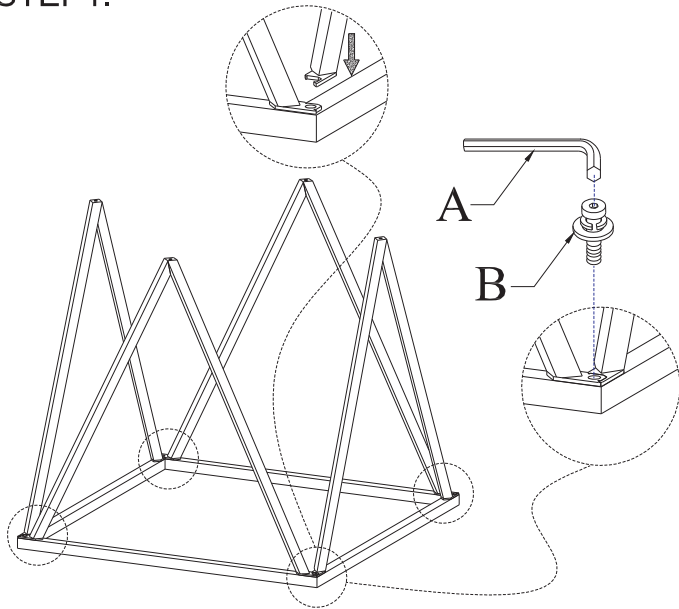


Assembly Instructions

CRAM 5720-94 22"*22"*24"H ET BASE SKU# 23157200

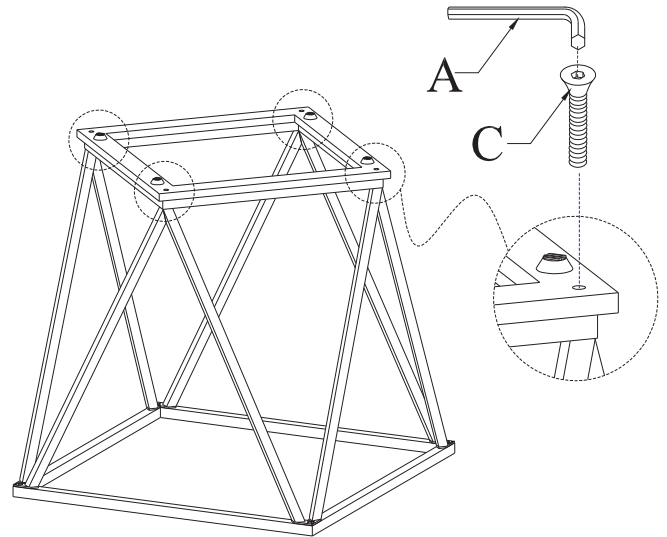
***Caution: Please read all instructions carefully before starting the assembly process. Some of the parts maybe cumbersome and/or heavy, therefore it is recommended two people assemble this furniture to prevent personal injury and/or damage to the parts during assembly.

STEP1:



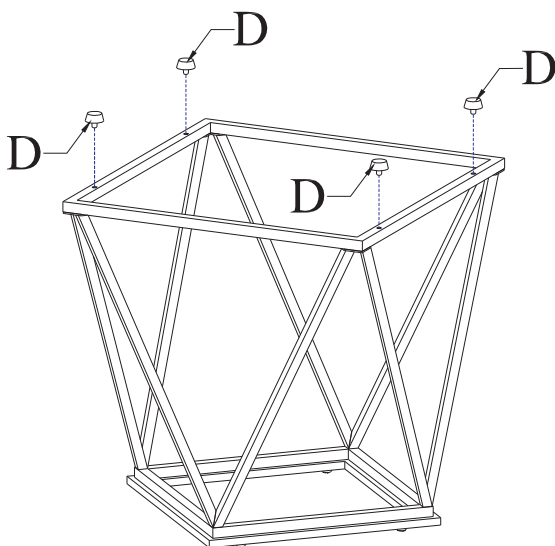
Attach the legs to the upper frame as pictured.,
Note: DO NOT TIGHTEN ALL BOLTS UNTIL FULLY ASSEMBLED

STEP2:



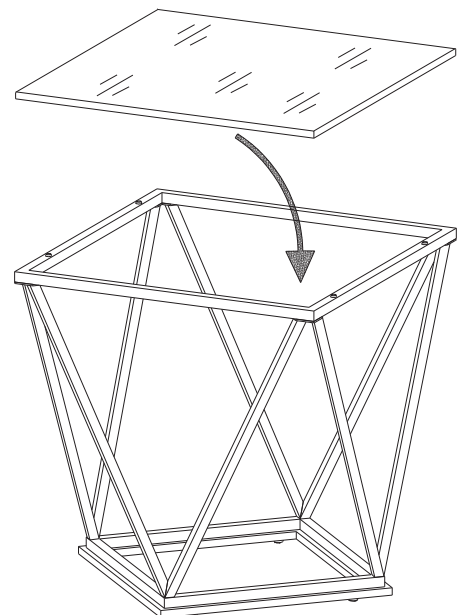
Attach the lower frame to the legs as pictured,
Note: Tighten all BOLTS

STEP3:



Turn base upright and insert insert the glass tips into the upper frame

STEP4:



Place and Center the glass on the table base.