



# ASSEMBLY INSTRUCTION

TEAE MARSHALL2-3 RECT ET

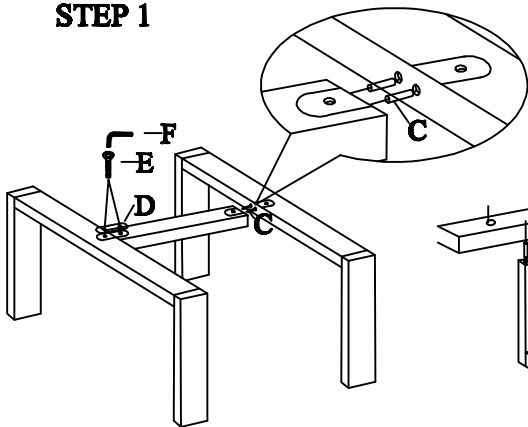
SKU# 23062778

Thank you for purchasing this quality product. Be sure to check all packing material carefully for small parts which may have come loose inside the carton during shipment. Identify and count all parts and compare with the hardware list below

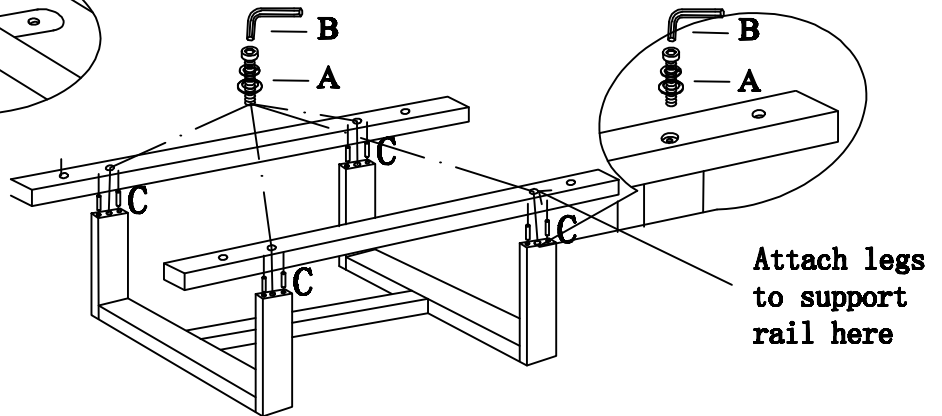
## HARDWARE LIST:

| NO. | Drawing | Description  | Dimension   | Q'ty   |
|-----|---------|--------------|-------------|--------|
| A   |         | BOLT         | 5/16"*18*2" | 8 pcs  |
|     |         | LOCK WASHER  | 5/16"*19mm  | 8 pcs  |
|     |         | FLAT WASHER  | 5/16"       | 8 pcs  |
| B   |         | ALLEN WRENCH | 5mm         | 1pc    |
| C   |         | DOWEL        | 10*40mm     | 12 pcs |
| D   |         | METAL PLATE  | 90*25*3mm   | 2 pcs  |
| E   |         | BOLT         | 1/4"*16*1"  | 4 pcs  |
| F   |         | ALLEN WRENCH | 4mm         | 1pc    |

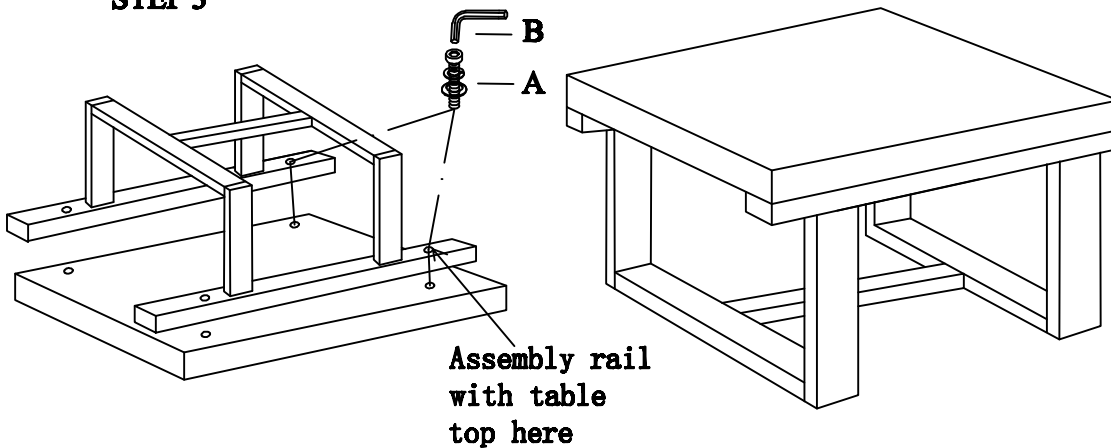
### STEP 1



### STEP 2



### STEP 3



**Caution:**  
Please do not tighten all bolts until the table is completely assembled!

MADE IN CHINA