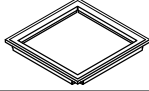
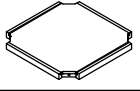
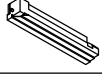

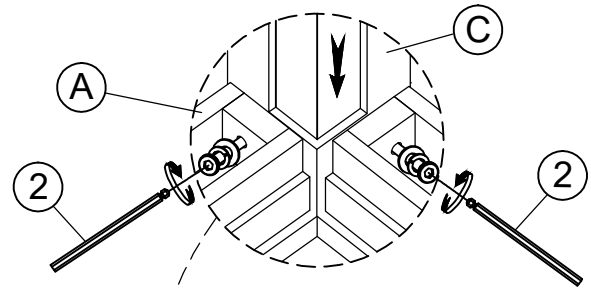


THANK YOU FOR PURCHASING THIS QUALITY PRODUCT. BE SURE TO CHECK ALL PACKING MATERIALS CAREFULLY FOR SMALL HARDWARE WHICH MAY HAVE COME LOOSE INSIDE THE CARTON DURING SHIPMENT. IDENTIFY AND COUNT ALL HARDWARE AND COMPARE WITH THE HARDWARE LIST BELOW.

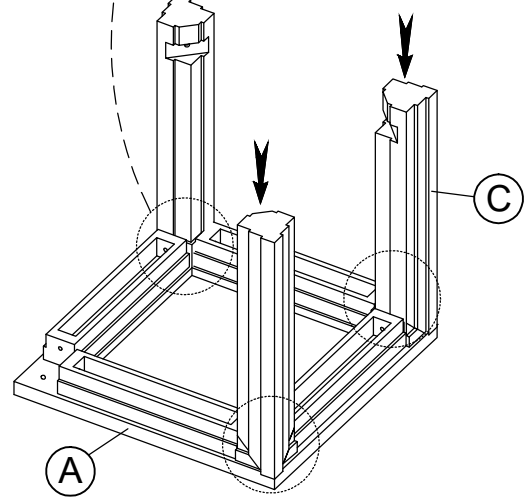
PARTS LIST :

No.	Description	Sketch	Q' TY
A	Table Top		1 pc
B	Bottom Shelf		1 pc
C	Legs		4 pcs
D	Glass		1 pc


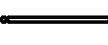

Step 1 : Do not fully tighten the bolts



Remarks: The bolts are pre-installed on the table top

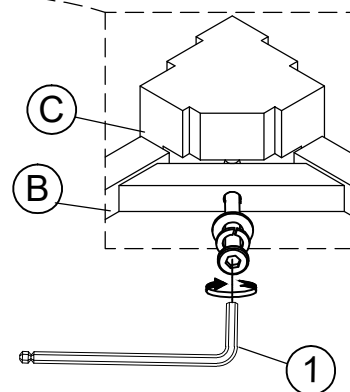
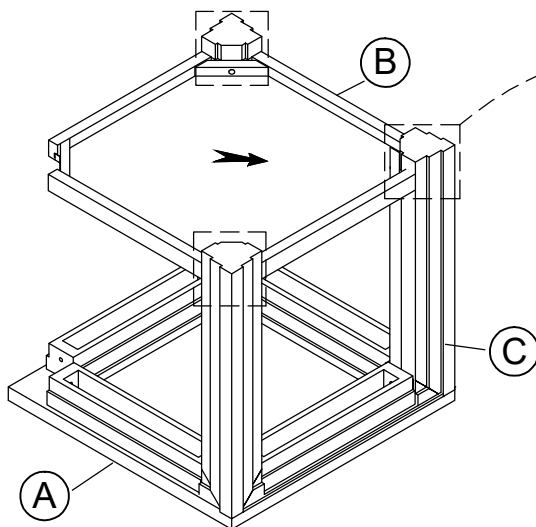


HARDWARE LIST :

NO.	HARDWARE LIST			Q' TY
1		Allen Key	4 mm	1 pc
2		Allen Key	4 mm	1 pc
3		Rubber bumper pads		4 pcs

Remarks: Keep the rubber bumper pads (3) to replace any that peel off.

Step 2 :



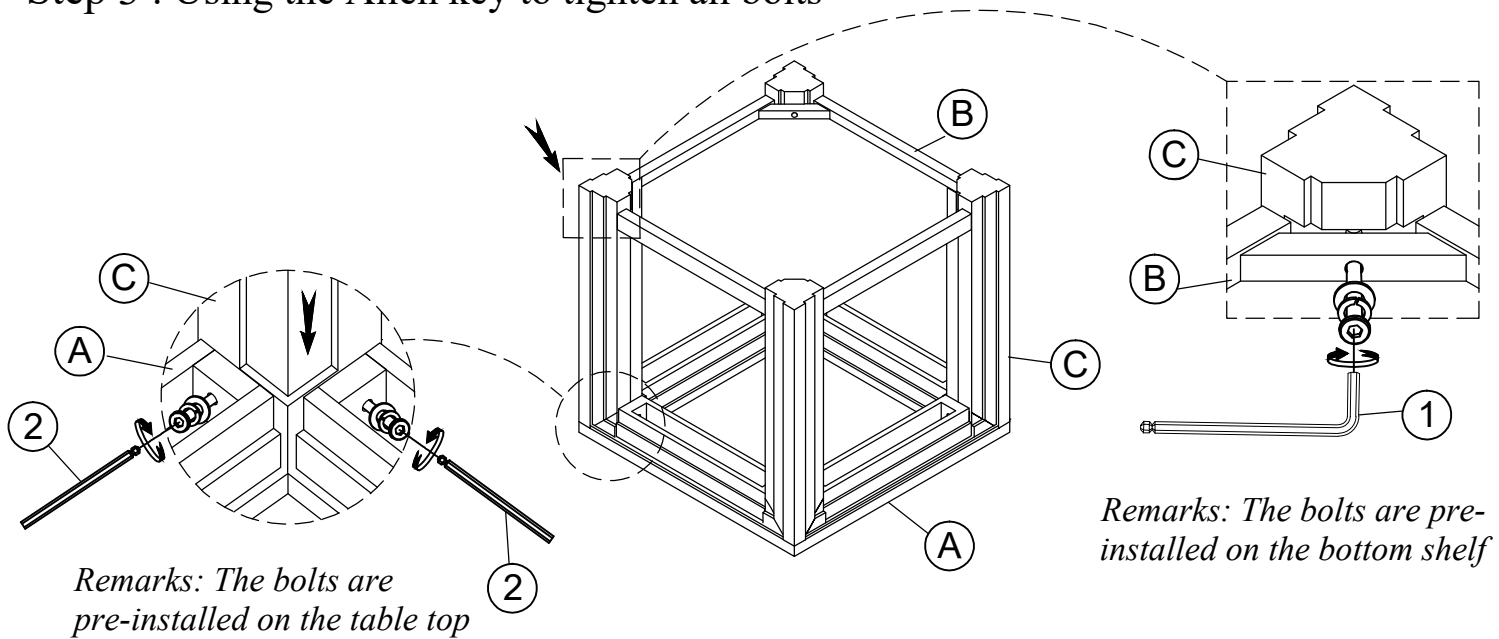
Remarks: The bolts are pre-installed on the bottom shelf

Hardware Pack Location:

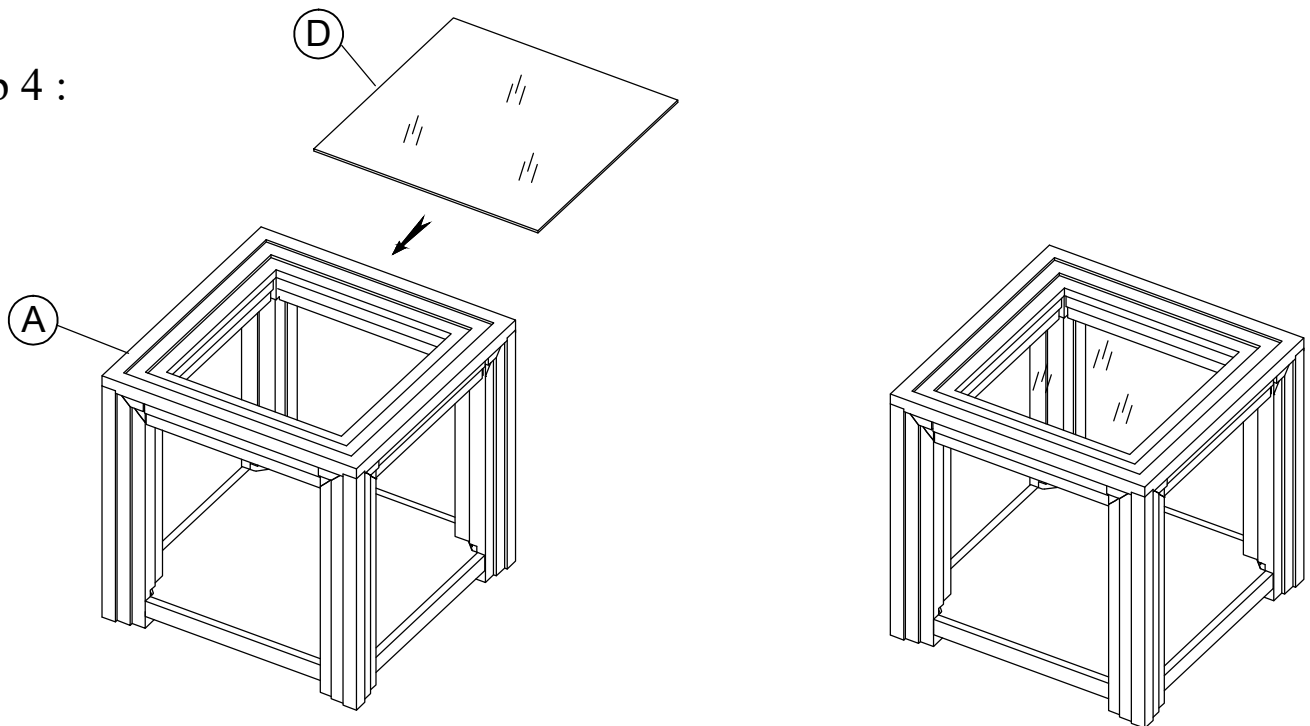
End Table Glass Top SKU: 23068910

THANK YOU FOR PURCHASING THIS QUALITY PRODUCT. BE SURE TO CHECK ALL PACKING MATERIALS CAREFULLY FOR SMALL HARDWARE WHICH MAY HAVE COME LOOSE INSIDE THE CARTON DURING SHIPMENT. IDENTIFY AND COUNT ALL HARDWARE AND COMPARE WITH THE HARDWARE LIST BELOW.

Step 3 : Using the Allen key to tighten all bolts



Step 4 :



Assembly is completed

Hardware Pack Location:

End Table Glass Top SKU: 23068910